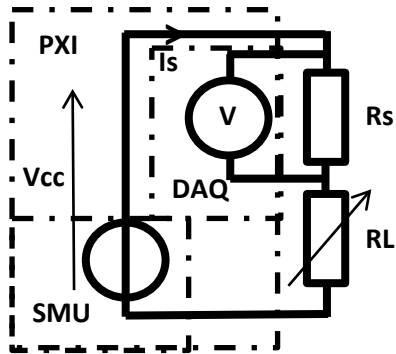
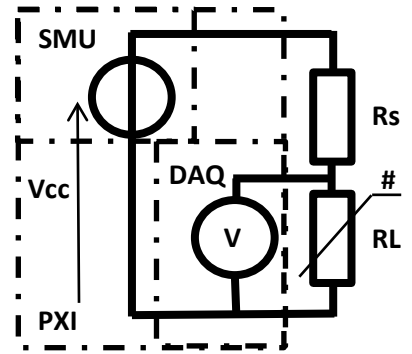


$$R_s = \frac{V_s}{I_s}$$



$$R_s = \frac{V_s}{I_s} \quad R_L = \frac{V_{cc} - V}{I_s}$$



$$R_s = \frac{R_L(V_{cc} - V)}{V}$$