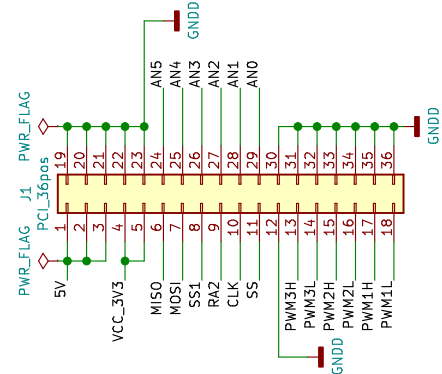
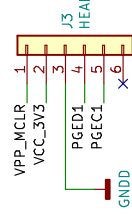


SLAVE BOARD -- OWNWALL PROJECT

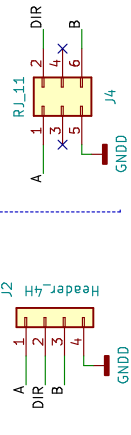
36 PIN BOARD CONNECTOR



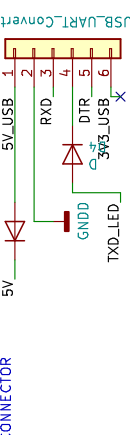
6 PIN PROGRAMMING CONNECTOR



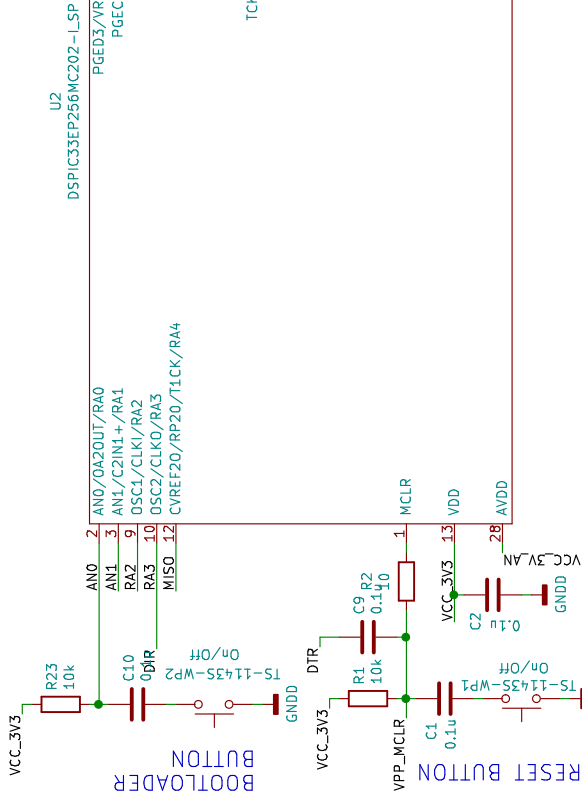
4 PIN MAX485 CONNECTOR



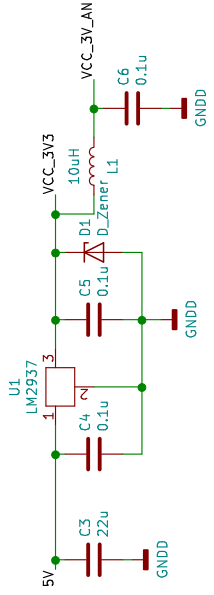
6 PIN USB UART CONNECTOR



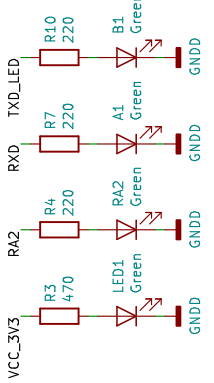
MICROCHIP MICROCONTROLLER



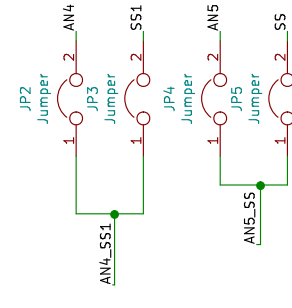
POWER SUPPLY



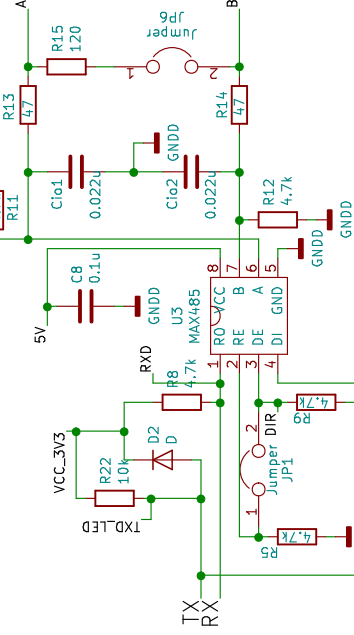
LEDs



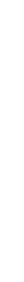
MULTI-PURPOSE I/O



MAX485 MODULE



BUTTONS



Sheet: /
File: Slave_board.sch

Title:

Size: A4 Date:

KiCad E.D.A. kicad 5.0.2-20220814-1

Rev:
Id: 1/1