

# Kinetis Peripheral Module Quick Reference

## A Compilation of Demonstration Software for Kinetis Modules

This collection of code examples, useful tips, and quick reference material has been created to help you speed the development of your applications. Most chapters in this document contain examples that can be modified to work with Kinetis MCU Family members. When you are developing your application, consult your device data sheet and reference manual for part-specific information, such as which features are supported on your device.

Sample code can be found at KINETIS512\_SC.zip, available from <http://freescale.com>

Information about the ARM core can be found in the help center at <http://ARM.com>

The most up-to-date revisions of our documents are on the Web. Your printed copy may be an earlier revision. To verify that you have the latest information available, refer to <http://freescale.com>



## Revision History

Date	Revision Level	Description	Page Number(s)
11/2010	0	Initial release	N/A
03/2012	1	<ul style="list-style-type: none"> <li>• Added two new chapters, <a href="#">Chapter 8: Using the Flash Software Drivers</a>, and <a href="#">Chapter 20: Using OPAMP for Kinetis Microcontrollers</a>.</li> <li>• Updated <a href="#">Fig. 13-3</a>, <a href="#">Fig. 13-4</a> and <a href="#">Fig. 13-5</a> of Chapter 13: ENET Module. Also updated <a href="#">Section 13.5.1.1: Hardware Implementation</a>, of the same chapter.</li> <li>• Added a note to <a href="#">Section 14.4: Example Code</a>, of Chapter 14: USB Device Charger Detection (USBDCD) Module, and <a href="#">Section 15.7: Example Code</a>, of Chapter 15: Universal Serial Bus OTG (USBOTG) Module.</li> </ul>	N/A
08/2012	2	<ul style="list-style-type: none"> <li>• Deleted the sentence “Refer to the full source code for this example in the ZIP file” from the <a href="#">Section 7.1.5.2: Module configuration</a>, of Chapter 7: Enhanced Direct Memory Access (eDMA) Controller</li> <li>• Minor editorial changes</li> </ul>	N/A
06/2014	3	<ul style="list-style-type: none"> <li>• Section 2.1.3.4.1 “Reset_b and NMI_b,” replaced paragraphs with new which states the requirement to not have capacitance on the NMI-b pin.</li> </ul>	28

# Contents

Section number	Title	Page
----------------	-------	------

## Chapter 1 General System Setup (Software Considerations)

1.1	Software considerations.....	15
1.1.1	Overview.....	15
1.1.2	Code execution.....	15
1.1.3	Reset and booting.....	15
1.1.3.1	Device state during reset.....	16
1.1.3.2	Device state after reset.....	16
1.1.4	Typical system initialization .....	16
1.1.4.1	Lowest level assembly routines.....	16
1.1.4.1.1	Initialize general purpose registers.....	16
1.1.4.1.1.1	Unmask interrupts at ARM core .....	17
1.1.4.1.1.2	Branch to start of C initialization code.....	17
1.1.4.2	Startup routines.....	17
1.1.4.2.1	Disable watchdog.....	17
1.1.4.2.2	Initialize RAM.....	17
1.1.4.2.3	Enable port clocks.....	18
1.1.4.2.4	Ramp system clock to selected frequency.....	18
1.1.4.2.5	Enable pin interrupt.....	18
1.1.4.2.6	Enable UART for terminal communication.....	18
1.1.4.2.7	Jump to start of main function for application.....	19

## Chapter 2 General System Setup (Hardware Considerations)

2.1	Hardware considerations.....	21
2.1.1	Overview.....	21
2.1.2	Floorplan.....	21
2.1.2.1	Connectors.....	22
2.1.2.2	Power domains.....	22

Section number	Title	Page
2.1.3	PCB routing considerations.....	23
2.1.3.1	Power supply routing.....	23
2.1.3.2	Power supply decoupling and filtering.....	23
2.1.3.3	Oscillators.....	25
2.1.3.3.1	RTC oscillator.....	25
2.1.3.3.2	MCG oscillator.....	26
2.1.3.4	General filtering.....	28
2.1.3.4.1	RESET_b and NMI_b.....	28
2.1.3.4.2	General purpose I/O.....	28
2.1.3.4.3	Analog inputs.....	29
2.1.4	PCB layer stack-up.....	29
2.1.5	Other module hardware considerations.....	32
2.1.5.1	VBAT.....	32
2.1.5.2	Voltage reference module.....	32
2.1.5.3	Debug interface.....	32

### Chapter 3 Nested Vector Interrupt Controller (NVIC)

3.1	NVIC.....	35
3.1.1	Overview.....	35
3.1.1.1	Introduction .....	35
3.1.1.2	Features .....	35
3.1.2	Configuration examples.....	36
3.1.2.1	Configuring the NVIC.....	36
3.1.2.1.1	Code example and explanation.....	36
3.1.2.2	Relocating the vector table.....	37
3.1.2.2.1	Code example and explanation.....	38
3.1.2.3	Disabling priorities.....	38
3.1.2.3.1	Code example and explanation.....	39

Section number	Title	Page
<b>Chapter 4</b>		
<b>Clocking System</b>		
4.1	Clocking.....	41
4.1.1	Overview.....	41
4.1.2	Features.....	41
4.1.3	Configuration examples.....	43
4.1.3.1	Transitioning to PLL engaged external mode.....	44
4.1.3.1.1	Code example and explanation.....	44
4.1.3.2	Transitioning between PLL engaged external mode and bypassed low power internal mode.....	45
4.1.3.2.1	Code example and explanation.....	45
4.1.3.3	Configuring the FLL with the RTC oscillator as a reference.....	46
4.1.3.3.1	Code example and explanation.....	46
4.1.4	Clocking system device hardware implementation.....	47
4.1.5	Layout guidelines for general routing and placement.....	48
4.1.6	References.....	48
<b>Chapter 5</b>		
<b>Power Management Controller (PMC/MODECTL)</b>		
5.1	Using the power management controller.....	49
5.1.1	Overview.....	49
5.1.1.1	Introduction.....	49
5.1.2	Using the low voltage detection system.....	49
5.1.2.1	Features.....	49
5.1.2.2	Configuration examples.....	50
5.1.2.3	Interrupt code example and explanation.....	51
5.1.2.4	Hardware implementation.....	51
5.2	Using the mode controller.....	52
5.2.1	Overview.....	52
5.2.1.1	Introduction.....	52
5.2.1.2	Features.....	53

Section number	Title	Page
5.2.2	Configuration examples.....	53
5.2.2.1	MC code example and explanation.....	54
5.2.2.2	Entering low leakage stop (LLS) mode.....	54
5.2.2.3	Entering wait mode.....	55
5.2.2.4	Exiting low power modes.....	55
5.3	Using the low leakage wakeup unit.....	56
5.3.1	Overview.....	56
5.3.1.1	Mode transitions .....	56
5.3.1.2	Wakeup sources .....	56
5.3.2	Configuration examples.....	56
5.3.2.1	Module wakeup.....	56
5.3.2.2	Pin wakeup.....	57
5.3.2.3	LLWU port and module interrupts.....	57
5.3.2.4	Wakeup sequence.....	58
5.4	Module operation in low power modes.....	59
5.5	Mode transition requirements.....	60
5.6	Source of wakeup, pins and modules.....	62

## Chapter 6 Memory Protection Unit (MPU)

6.1	Using the memory protection unit module.....	63
6.1.1	Overview.....	63
6.1.2	Introduction.....	63
6.1.3	Features.....	63
6.1.4	Configuration examples.....	64
6.1.4.1	Region descriptors setup.....	64

Section number	Title	Page
<b>Chapter 7</b>		
<b>Enhanced Direct Memory Access (eDMA) Controller</b>		
7.1	eDMA.....	65
7.1.1	Overview.....	65
7.1.1.1	Introduction .....	65
7.1.2	eDMA trigger.....	67
7.1.2.1	DMA multiplexer.....	67
7.1.2.2	Trigger mode.....	68
7.1.2.3	Multiple transfer requests.....	68
7.1.3	Transfer process—major and minor transfer loop.....	69
7.1.4	Configuration steps .....	70
7.1.5	Example—PIT-gated DMA requests .....	70
7.1.5.1	Requirements.....	71
7.1.5.2	Module configuration.....	71
<b>Chapter 8</b>		
<b>Using the Flash Standard Software Drivers</b>		
8.1	Overview.....	75
8.2	Downloading flash software drivers.....	75
8.3	Features.....	76
8.4	Configuration parameters.....	76
8.4.1	SSD configuration structure.....	76
8.4.2	SSD derivative.....	77
8.5	Demo code.....	77
8.6	Additional resources.....	80
<b>Chapter 9</b>		
<b>Using the FlexMemory</b>		
9.1	Using the FlexNVM .....	81
9.1.1	Overview.....	81
9.1.1.1	Introduction .....	81
9.1.1.2	Features.....	81

Section number	Title	Page
9.1.2	Configuration examples .....	82
9.1.2.1	Basic data flash.....	82
9.1.2.1.1	Code example and explanation.....	82
9.1.2.2	EEPROM flash records.....	82
9.1.2.2.1	Code Example and Explanation.....	83
9.1.2.3	Combination.....	83
9.1.2.3.1	Code example and explanation.....	84
9.1.3	Endurance.....	84

## Chapter 10 EzPort Module

10.1	Using the EzPort module .....	87
10.1.1	Overview.....	87
10.1.1.1	Introduction .....	87
10.1.1.2	Features .....	87
10.1.1.3	Command description.....	88
10.1.1.3.1	Command format.....	88
10.1.1.3.2	Command timing.....	89
10.1.1.4	Status register.....	90
10.1.2	Configuration examples .....	90
10.1.2.1	Hardware connections.....	90
10.1.2.2	Write enable and disable.....	92
10.1.2.3	Sector erase and program.....	92
10.1.2.4	Write and read FCCOB registers.....	93
10.1.2.5	Write and read FlexRAM.....	94

## Chapter 11 Flexbus Module

11.1	Using the Flexbus module .....	95
11.1.1	Overview.....	95
11.1.1.1	Introduction.....	95



Section number	Title	Page
11.1.1.2	Features .....	95
11.1.1.2.1	Signal descriptions.....	95
11.1.1.2.2	Address and data bus multiplexing .....	96
11.1.1.2.3	Modes of Operation.....	97
11.1.1.2.4	Burst cycles.....	98
11.1.1.2.5	Data Byte Alignment and Physical Connections .....	98
11.1.1.2.6	Memory map.....	99
11.1.1.2.7	Reference clock.....	99
11.1.1.3	Configuration examples .....	100
11.1.1.3.1	Code example and explanation.....	100
11.1.1.4	Hardware implementation.....	102
11.1.2	PCB design recommendations.....	102
11.1.2.1	Layout guidelines.....	102

## Chapter 12 Universal Asynchronous Receiver and Transmitter (UART) Module

12.1	Overview.....	103
12.2	Features.....	103
12.3	Configuration example.....	104
12.3.1	UART initialization example.....	104
12.3.2	UART receive example.....	105
12.3.3	UART transmit example.....	106
12.3.4	UART configuration for interrupts or DMA requests.....	106
12.4	UART RS-232 hardware implementation.....	107

## Chapter 13 ENET Module

13.1	Overview.....	109
13.1.1	Introduction.....	109
13.1.2	Features.....	110

Section number	Title	Page
13.2	Configuration examples.....	111
13.2.1	Basic MAC-ENET initialization for a generic TCP/IP stack.....	111
13.2.1.1	Code example and explanation.....	111
13.3	PHY management interface.....	116
13.3.1	Code example and explanation.....	116
13.4	MII mode.....	118
13.4.1	Code example and explanation.....	118
13.4.1.1	Hardware implementation.....	118
13.5	RMII mode.....	119
13.5.1	Code example and explanation.....	119
13.5.1.1	Hardware implementation.....	120
13.6	PCB Design Recommendations.....	121
13.6.1	Layout Guidelines.....	121
13.6.1.1	General Routing and Placement.....	121

## Chapter 14 USB Device Charger Detection (USBDCD) Module

14.1	Overview.....	123
14.1.1	Introduction.....	123
14.1.2	Features.....	123
14.1.3	Battery charger specification.....	124
14.2	Module Configuration.....	124
14.2.1	Module dependencies.....	124
14.3	DCD hardware implementation.....	125
14.4	Example code.....	126

## Chapter 15 Universal Serial Bus OTG Module

15.1	Introduction.....	129
15.2	Features.....	129
15.3	USB operation modes.....	129

Section number	Title	Page
15.4	Voltage regulator operation modes.....	130
15.5	Module configuration.....	132
15.5.1	Module dependencies.....	132
15.5.2	USB initialization process.....	133
15.5.3	Voltage regulator initialization.....	135
15.6	Hardware implementation.....	135
15.6.1	Connection diagram.....	135
15.6.2	Components and placement suggestions.....	138
15.6.3	Layout recommendations.....	139
15.7	Example Code.....	140
15.7.1	Device code.....	140
15.7.2	Host code.....	141

## Chapter 16 FlexCAN Module

16.1	Overview.....	145
16.1.1	Introduction.....	145
16.1.2	Features.....	146
16.2	Configuration examples.....	146
16.2.1	FlexCAN initialization.....	147
16.2.1.1	Code example and explanation.....	147
16.2.2	Receive process.....	149
16.2.2.1	Code example and explanation.....	149
16.2.3	Transmit process.....	149
16.2.3.1	Code example and explanation.....	149
16.2.4	Read message.....	150
16.2.4.1	Code example and explanation.....	150
16.2.5	Configuration of Rx FIFO ID filter table elements.....	151
16.2.5.1	Code example and explanation.....	151

Section number	Title	Page
<b>Chapter 17</b>		
<b>Segment LCD Controller</b>		
17.1	Overview.....	153
17.1.1	Introduction.....	153
17.2	Power supply.....	154
17.3	Low power modes.....	155
17.4	Clock source.....	155
17.5	Hardware considerations.....	156
17.5.1	General routing and placement.....	156
17.6	EMC and ESD considerations.....	156
17.6.1	Code example and explanation.....	156
17.7	Demonstration code.....	158
<b>Chapter 18</b>		
<b>Touch Sense Input (TSI) Module</b>		
18.1	Overview.....	161
18.2	Introduction.....	161
18.3	Features.....	163
18.4	TSI configuration.....	164
18.4.1	Configuration Example.....	166
18.4.1.1	Code Example and Explanation.....	167
18.5	TSI hardware implementation.....	168
18.5.1	PCB Routing and Placement.....	169
<b>Chapter 19</b>		
<b>Using Peripheral Delay Block (PDB) to Schedule Analog to Digital Converter (ADC) Conversions</b>		
19.1	Overview.....	171
19.1.1	Introduction.....	171
19.1.2	Features.....	172
19.2	Configuration example.....	173
19.2.1	PDB-triggered single-ended ADC conversions.....	173
19.2.1.1	Turn on ADC and PDB clocks.....	174

Section number	Title	Page
19.2.1.2	Configure System Integration module for ADC defaults.....	174
19.2.1.3	Configure Peripheral Delay Block (PDB).....	174
19.2.1.4	Determine ADC configuration.....	175
19.2.1.5	Using ADC driver.....	176
19.2.1.6	Calibrate ADCs.....	176
19.2.1.7	Enable ADC and PDB interrupts.....	176
19.2.1.8	Software triggering of PDB.....	176
19.2.1.9	Handle ADC and PDB interrupts.....	177
19.2.2	ADC device hardware implementation.....	178
19.2.3	PDB device hardware implementation.....	178
19.3	PCB design recommendations.....	178
19.3.1	Layout guidelines.....	178
19.3.1.1	General routing and placement.....	178
19.3.2	ESD/EMI considerations .....	179

## Chapter 20

### Using OPAMP for Kinetis Microcontrollers

20.1	Overview.....	181
20.2	Introduction.....	181
20.3	Features.....	181
20.4	Nomenclature.....	182
20.5	User case examples.....	182
20.5.1	On-chip integration.....	184
20.5.2	Device hardware implementation.....	186
20.5.3	OPAMP demo with DAC.....	187



# Chapter 1

## General System Setup (Software Considerations)

### 1.1 Software considerations

#### 1.1.1 Overview

This chapter provides a quick look at some of the general characteristics of the Kinetis family of MCUs. This is a brief introduction of the operation of the devices and typical software initialization.

For more information see the device-specific reference manual and data sheet.

#### 1.1.2 Code execution

The Kinetis family features embedded Flash and SRAM memory for data storage and program execution. Additionally, external memory can be accessed over the FlexBus external bus interface. Code can also be executed over the FlexBus. For maximum performance, executing from internal memory is recommended.

#### 1.1.3 Reset and booting

When the processor exits reset, it fetches the initial stack pointer (SP) from vector table offset 0 and the program counter (PC) from vector table offset 4. The initial vector table must be located in the flash memory at the base address (0x0000\_0000). However, the vector table can be relocated to SRAM after the boot-up sequence if desired. Kinetis devices only support booting from internal flash. Any secondary boot must first go through an initialization sequence in flash.

After fetching the stack pointer and program counter, the processor branches to the PC address and begins executing instructions.

For more information, see the Reset and Boot chapter of the device-specific reference manual.

### 1.1.3.1 Device state during reset

With the exception of the JTAG pins, during reset the digital I/O pins go to a disabled (high impedance) state with internal pullups/pulldowns disabled. Pins with analog functionality will default to their analog functions.

### 1.1.3.2 Device state after reset

After reset the digital I/O pins remain disabled until enabled by software. Also, interrupts are disabled and the clocks to most of the modules are off. The default clock mode after reset is FLL Engaged Internal (FEI) mode. In this mode the system is clocked by the frequency-locked loop (FLL) using the slow internal reference clock as its reference. The watchdog timer is active; therefore it will need to be serviced (or disabled if debugging). The core clock, system clock, and flash clock are enabled after reset to support booting. Also, the flash memory controller cache and prefetch buffers are enabled.

## 1.1.4 Typical system initialization

The following is a summary of typical software initialization. The code snippets are taken from a "hello\_world" project written in IAR Embedded Workbench. This project is available in the Kinetis sample code found in the file KINETIS512\_SC.zip which accompanies this users guide.

### 1.1.4.1 Lowest level assembly routines

These routines are assembly source code found in the file crt0.s. The address of the start of this code is placed in the vector table offset 4 (initial program counter) so that it is executed first when the processor starts up. This is accomplished by labeling this section, exporting the label, and placing the label in the vector table. The vector table can be found in vectors.h. In this example the label used is \_\_startup.

#### 1.1.4.1.1 Initialize general purpose registers

As a general rule, it is recommended to initialize the processor general purpose registers (R0-R12) to zero. This is done with the move instruction.



```

MOV    r0,#0                ; Initialize the GPRs
MOV    r1,#0
MOV    r2,#0
MOV    r3,#0
MOV    r4,#0
MOV    r5,#0
MOV    r6,#0
MOV    r7,#0
MOV    r8,#0
MOV    r9,#0
MOV    r10,#0
MOV    r11,#0
MOV    r12,#0
    
```

### 1.1.4.1.1 Unmask interrupts at ARM core

```

CPSIE  i                    ; Unmask interrupts
    
```

### 1.1.4.1.2 Branch to start of C initialization code

```

import start
        BL      start        ; call the C code
    
```

## 1.1.4.2 Startup routines

These routines are C source code found in the files `start.c` and `sysinit.c`. This code provides general system initialization that may be adapted depending on the application.

### 1.1.4.2.1 Disable watchdog

For code development and debugging, it is best to disable the watchdog. This requires unlocking the watchdog first. Keep in mind that there are timing requirements for the execution of the unlock steps. The two step unlock sequences must execute within 20 clock cycles of each other. Therefore interrupts must be disabled and single-step debugging cannot be done during this section.

```

/* disable all interrupts */
asm(" CPSID i");

/* Write 0xC520 to the unlock register */
WDOG_UNLOCK = 0xC520;

/* Followed by 0xD928 to complete the unlock */
WDOG_UNLOCK = 0xD928;

/* enable all interrupts */
asm(" CPSIE i");

/* Clear the WDOGEN bit to disable the watchdog */
WDOG_STCTRLH &= ~WDOG_STCTRLH_WDOGEN_MASK;
    
```

### 1.1.4.2.2 Initialize RAM

Depending on the application, the next steps may be required. First, copy the vector table from flash to RAM, copy initialized data from flash to RAM, clear the zero-initialized data section, and copy functions from flash to RAM.

### 1.1.4.2.3 Enable port clocks

To configure the I/O pin muxing options, the port clocks must first be enabled. This allows the pin functions to later be changed to the desired function for the application.

```
SIM_SCGC5 |= (SIM_SCGC5_PORTA_MASK
             | SIM_SCGC5_PORTB_MASK
             | SIM_SCGC5_PORTC_MASK
             | SIM_SCGC5_PORTD_MASK
             | SIM_SCGC5_PORTE_MASK );
```

### 1.1.4.2.4 Ramp system clock to selected frequency

The Multipurpose Clock Generator (MCG) provides several options for clocking the system. Configure the MCG mode, reference source, and selected frequency output based on the needs of the system.

### 1.1.4.2.5 Enable pin interrupt

In this example, pin PTA4 is connected to a push button. An interrupt is generated when the button is pressed. A GPIO interrupt is used instead of an NMI interrupt because an edge-sensitive interrupt is preferred versus a level-sensitive interrupt. This ensures that one interrupt will occur per button press. Interrupts need to be enabled in the ARM core, as described in the NVIC chapter.

```
/* Configure the PTA4 pin for its GPIO function */
PORTA_PCR4 = PORT_PCR_MUX(0x1); // GPIO is alt1 function for this pin

/* Configure the PTA4 pin for rising edge interrupts */
PORTA_PCR4 |= PORT_PCR_IRQC(0x9);

/* Initialize the NVIC to enable the specified IRQ */
enable_irq(87);
```

#### NOTE

To save space, the `enable_irq()` function is not shown. See the interrupts section for details on how to enable the IRQ. Also, to save space the interrupt service routine is not shown.

### 1.1.4.2.6 Enable UART for terminal communication

See in this document chapter 11, "Universal Asynchronous Receiver and Transmitter (UART) Module."

### 1.1.4.2.7 Jump to start of main function for application

```
/* Jump to main process */  
main();
```



## Chapter 2

# General System Setup (Hardware Considerations)

## 2.1 Hardware considerations

### 2.1.1 Overview

This chapter will outline the best practices for hardware design when using the Kinetis MCUs. The designer must consider numerous aspects when creating the system so that performance, cost, and quality meet the end-user expectations. Performance usually implies high speed digital signalling, but it also applies to accurate sampling of analog signals. Cost is influenced by component selection, of which the PCB may be the most expensive element. Quality involves manufacturability, reliability, and conformance to industry or governmental standards.

The Freescale Tower Systems are great for evaluating the operation and performance of the many features of Freescale MCUs. However, evaluation systems are not ideal examples for implementation of robust system design techniques. This document will mention some of the hardware techniques found on the Freescale Tower Systems, and will give recommendations that are more appropriate to conventional systems that are not required to implement all of the feature options.

### 2.1.2 Floorplan

The organization of the printed circuit board (PCB) depends on many factors. Typically, there are connectors, mechanical components, high speed signals, low speed signals, switches, and power domains, among others, that need to be considered. While placement of connectors and some mechanical components (switches, relays, etc) is critical to the end product's form, there are some basic recommendations that can significantly affect the electrical performance and electromagnetic compatibility (EMC) of the PCB assembly.

### 2.1.2.1 Connectors

The PCB should be organized so that all the connectors are along one edge of the board and away from the MCU. The concept here is to prevent placing the MCU in-between connectors that can become effective radiators when cables are attached. This also keeps the MCU from being in the path of high energy transients that can shoot across the board from one connector to another. Connectors may be placed on adjacent edges of the PCB if necessary, as long as the MCU is not in a direct path between the connectors.

Connector locations should allow for placement of filter components. Noise must be suppressed at the connector, before it can propagate onto the PCB. There will be more information on this topic in the input filtering section.

### 2.1.2.2 Power domains

While many systems have only one power supply voltage, they typically have “clean” and “noisy” sections. The definitions of “clean” and “noisy” are not important – the concept is that noise from one section should not interfere with another. In general, AC power should be separated from DC power and digital should be separated from analog.

Power domain isolation is described in more detail in Freescale application note AN2764, "Improving the Transient Immunity Performance of Microcontroller-Based Applications." The basic concept is to isolate or place a low pass filter between power domains. The AC power domain should be physically isolated from the DC domains. Physical separation or decoupling filters (Figure 2-1) should be used to separate different DC functional blocks (power domains) when necessary. Note that the Tower System boards have multiple decoupling filters to separate digital and analog domains. Also note that decoupling may not be needed in many applications – physical separation of domains may be sufficient.

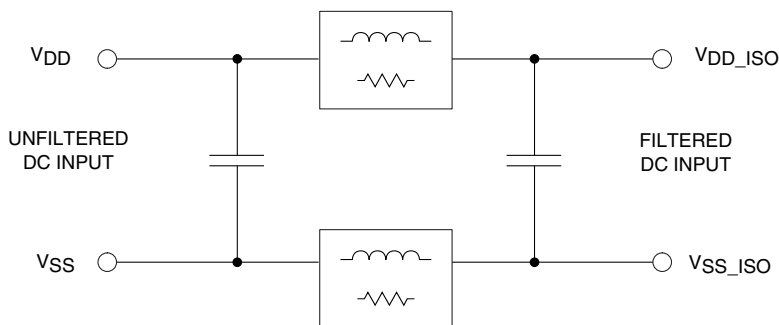


Figure 2-1. Generic decoupling filter

In general, the decoupling network series elements are small inductors or ferrite beads that have a small impedance (about 100  $\Omega$  at 100 MHz). The capacitors are generally 10nF to 1 $\mu$ F and do not have to be the same value on both sides of the filter – select a lower value for the side that has the higher frequency content.

### 2.1.3 PCB routing considerations

This section covers critical power and filtering aspects of PCB layout.

#### 2.1.3.1 Power supply routing

Routing of power and ground to digital systems is a topic that is discussed and debated in many textbooks and references. The basic concept is to ensure that the MCU and other digital components have a low impedance path to the power supply. The typical guidance that was given for one and two layer PCBs was to use wide traces and few layer transitions. The recommendations for today's high speed MCUs follow those given for high speed microprocessor systems – specifically, use planes for power and ground. This may raise the PCB cost, but the benefits of crosstalk reduction, reduction of RF emissions, and improved transient immunity can be realized with lower overall production and maintenance costs.

In general, the ground routing should take precedence over any other routing. Ground planes or traces should never be broken by signals. For packages with leads, like the LQFP, a ground plane directly below the MCU package is recommended to reduce RF emissions and improve transient immunity. All of the VSS pins of the MCU should be tied to a ground plane. Ground traces (from a plane) should be kept as short as possible as they are routed to circuitry on signal layers (top and bottom). Power planes may be broken to supply different voltages. All of the VDD pins of the MCU should be tied to the proper power plane. Power traces (from the planes) should be kept as short as possible as they are routed to circuitry (pullups, filters, other logic & drivers) on the top and bottom layers. More information is given in the PCB Layer Stack-up section below.

#### 2.1.3.2 Power supply decoupling and filtering

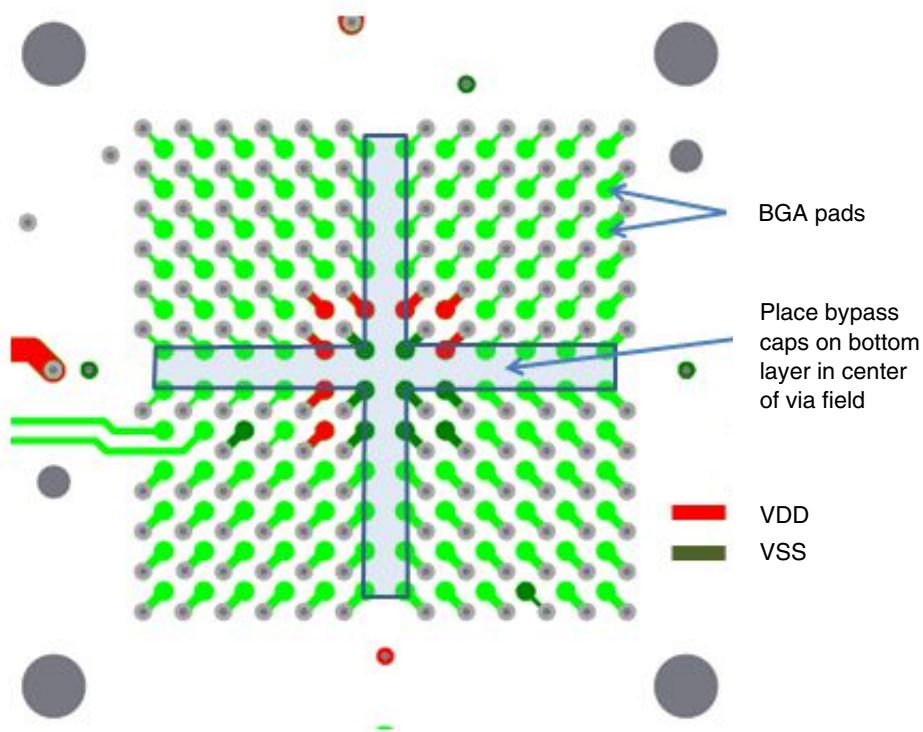
As mentioned in the power domains section, decoupling networks are used to separate domains. Bypass capacitors, while also called decoupling capacitors, are the storage elements that provide the instantaneous energy demanded by the high speed digital circuits.

Power supply bypass capacitors must be placed close to the MCU supply pins. The basic concept is that the bypass capacitor provides the instantaneous current for every logic transition within the MCU. Fortunately, each Kinetis MCU has a low voltage internal regulator for the MCU core logic, so the abrupt current demands of the internal high speed logic are not as critical. However, external signals demand energy from the power rails when they transition from one logic level to the other. The bypass capacitors provide the local filtering so that the effects of the external pin transitions are not reflected back to the power supply, which causes RF emissions.

The basic rule of placing bypass capacitors as close as possible to the MCU is still appropriate. The idea is to minimize the loop created by the capacitor between the VDD and VSS pins. The implementation of this rule depends on the number of mounting layers, how the supplies are routed, and the physical size of the capacitors:

- Number of mounting layers – PCBs with components mounted on the top side only will have a significant limitation on how close the bypass caps can be located due to the number of components that require space. PCBs that have components mounted on both sides of the PCB allow closer placement of the bypass capacitors.
- Supply routing – With the Ball Grid Array (BGA) package, all of the VDD/VSS pairs are routed to other layers under the package. This allows easier attachment of the VDD and VSS pins to the power and ground planes within those layers. The bypass capacitors can be placed in the area below the MCU, with connections very close to the power pins. See [Figure 2-2](#).





**Figure 2-2. K60 TWR board top layer BGA pad arrangement**

- Supply routing – For Quad Flat Pack (QFP) packages, the power supply pins may be supplied radially to the MCU using traces rather than from planes. While it is adequate to place the bypass capacitors close to the VDD and VSS pins on the traces leading to the MCU, it is better to have the ground side of the bypass capacitor tied to the ground plane (through a via and short trace) close to the VSS pin and the VDD side tied to the power plane (through a via and short trace) close to the VDD pin.

### 2.1.3.3 Oscillators

The Kinetis MCU starts up with an internal digitally controlled oscillator (DCO) to control the bus clocking, and then software is used to enable one or two external oscillators if desired. The external oscillator for the Multipurpose Clock Generator (MCG) module can range from a 32.768 kHz crystal up to a 32 MHz crystal or ceramic resonator. The external oscillator for the Real Time Clock (RTC) module is a 32.768 kHz crystal.

### 2.1.3.3.1 RTC oscillator

The RTC oscillator connected to the EXTAL32 and XTAL32 pins is the simplest to route. Both pins are located on outside ring pads on the BGA package, so the crystal can be placed on the top layer of the PCB, close to the MCU. Since this oscillator does not require any other external components the routing is straight from the crystal to the MCU pins.

While the 32.768 kHz crystal is available in leaded cylindrical and surface mount packaging, we recommend using the cylindrical package to simplify placement and routing. The EXTAL32 and XTAL32 pins can be brought out directly from the MCU and the crystal can be placed as close as possible to the MCU, which improves noise immunity. Surface mount crystals may have pad spacing that is further apart than the leaded crystals, making the routing and placement more complex.

### 2.1.3.3.2 MCG oscillator

While the RTC oscillator can also be used as a source for the MCG module, it is limited to 32 kHz. The high speed oscillator that can be used to source the MCG module is very versatile. The component choices for this oscillator are detailed in the device-specific reference manual. The placement of this crystal or resonator is described here.

The EXTAL and XTAL pins are located on the outside pad ring of the BGA package and on corner pins of the QFP package. This allows room for placement and routing of the crystal or resonator on the top layer, close to the MCU. The feedback resistor and load capacitors, if needed, can be placed on the top layer as well. See [Figure 2-3](#), [Figure 2-4](#), and [Figure 2-5](#).

Note that the low power modes of this oscillator do not require a feedback resistor, and may not require external load capacitors. (Check the device-specific reference manual for details.) This makes it as simple as possible since only one component has to be placed and routed. Low power oscillators are more susceptible to interference by system generated noise, so the guidelines for crystal routing are important.

The crystal or resonator should be located close to the MCU. No signals of any kind should be routed on the layer directly below the crystal. A ground plane on the layer directly below the crystal is recommended. A guard ring should be placed around the crystal and its load components to protect it from crosstalk from adjacent signals on the mounting layer. This guard ring can originate from the VSS pin adjacent to the crystal pins. Note that the guard ring (and load capacitors) is connected to the ground plane in [Figure 2-4](#) and [Figure 2-5](#).

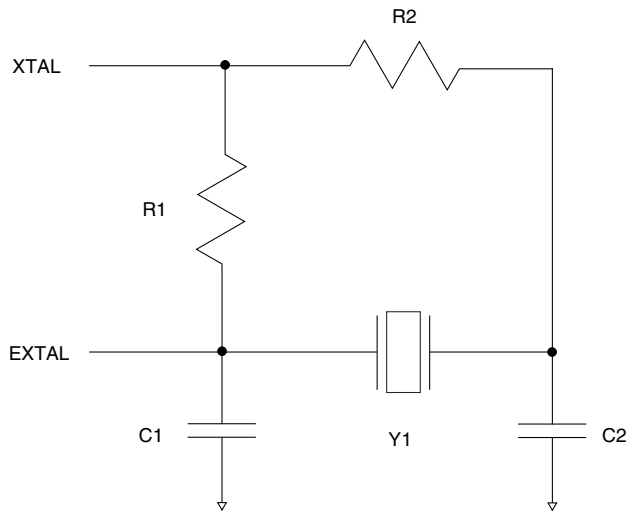


Figure 2-3. Typical crystal circuit

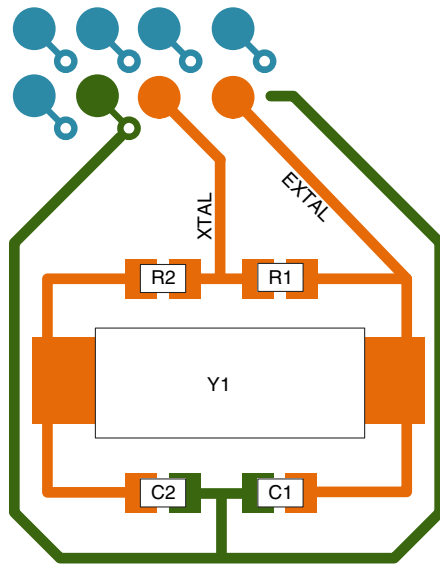


Figure 2-4. Potential crystal layout for BGA

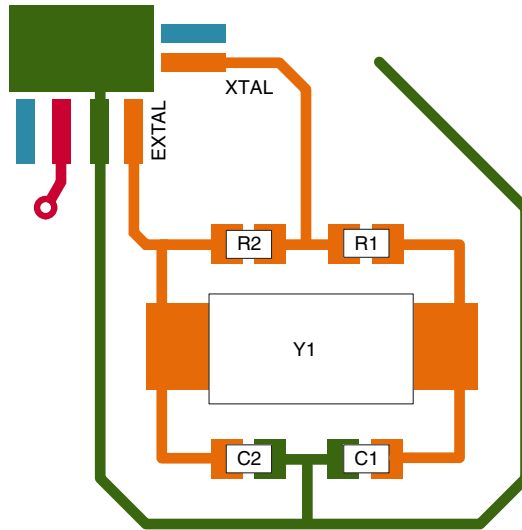


Figure 2-5. Potential crystal layout for LQFP

### 2.1.3.4 General filtering

General purpose I/O pins should have adequate isolation and filtering from transients.

#### 2.1.3.4.1 RESET\_b and NMI\_b

The RESET\_b pin, if enabled, must have a 100 nF capacitor close to the MCU for transient protection. The NMI\_b pin, if enabled, must not have any capacitance connected to it. Each pin, when enabled as their default function, has a weak internal pullup, but an external 4.7 kΩ to 10 kΩ pullup is recommended. As with power pin filtering, it is recommended to minimize the ground loop for the capacitor and the VDD loop for the pullup resistor for these pins.

The RESET\_b pin also has a configurable digital filter to reject potential noise on this input after power-up. The configuration bits are located in the RCM\_RPFC register. While use of this filter may negate the need for the pullup and capacitor mentioned above, it is still recommended to use external filtering in electrically noisy environments.

#### 2.1.3.4.2 General purpose I/O

General purpose inputs, such as low speed inputs, timer inputs, and signals from off-board should have low pass filters (series resistor and capacitor to ground) to prevent data corruption due to crosstalk or transients. The filter capacitor should be placed close to the MCU pin, while the resistor can be placed closer to the source.

Inputs that come from connectors should have low pass filtering at the connector to prevent noise from propagating onto the PCB. This requires a robust ground structure around the connector. Series resistors for signals that come from off-board should be placed as close to the connector as possible. A filter cap closer to the MCU input pin may be required if the signal trace length is very long and can pick up noise from other circuits.

Output pins should not have any significant capacitance placed close to the MCU. These signals can have capacitors at the load or connector to minimize radiated emissions if necessary.

### 2.1.3.4.3 Analog inputs

Analog inputs should have low pass filters as well. The challenge with analog inputs, especially for high resolution analog-to-digital conversions, is that the filter design needs to consider the source impedance and sample time rather than a simple cutoff frequency. This topic cannot be discussed in detail here, but the general concept is that fast sample times will require smaller capacitor values and source impedances than slow sample times. Higher resolution inputs may require smaller capacitor values and source impedances than lower resolution inputs.

In general, capacitor values can range from 10 pF for high speed conversions to 1 $\mu$ F for low speed conversions. Series resistors can range from a few hundred Ohms to 10 k $\Omega$ .

## 2.1.4 PCB layer stack-up

The Kinetis MCUs are high speed integrated circuits. Care must be taken in the PCB design to ensure that fast signal transitions (rise/fall times and continuous frequencies) do not cause RF emissions. Likewise, transient energy that enters the system needs to be suppressed before it can affect the system operation (compatibility). The guidance from high speed PCB designers is to have all signals routed within one dielectric (core or prepreg) of a return path, which usually is a ground plane. This allows return currents to predictably flow back to the source without affecting other circuits, which is the primary cause of radiated emissions in electronic systems. This approach requires full planes within the PCB layer stack and partial planes (copper pours) on signal layers where possible. All ground planes and ground pours must be connected with plenty of vias. Likewise, all “like” power planes and power pours must be connected with plenty of vias.

Recommended layer stackups:

4-Layer PCB A:

Layer 1 (top – MCU location)—Ground plane and pads for top mounted components, no signals

Layer 2 (inner)—signals and power plane

Thick core

Layer 3 (inner)—signals and power plane

Layer 4 (bottom)—ground plane and pads for bottom mounted components, no signals

4-Layer PCB B:

Layer 1 (top – MCU location)—signals and poured power

Layer 2 (inner)—ground plane

Thick core

Layer 3 (inner)—ground plane

Layer 4 (bottom)—signals and poured power

6-Layer PCB A:

Layer 1 (top – MCU)—power plane and pads for top mounted components, no signals

Layer 2 (inner)—signals and ground plane

Layer 3 (inner)—power plane

Layer 4 (inner)—ground plane

Layer 5 (inner)—signals and power plane

Layer 6 (bottom)—ground plane and pads for bottom mounted components, no signals

6-Layer PCB B:

Layer 1 (top – MCU)—signals and power plane

Layer 2 (inner)—ground plane

Layer 3 (inner)—signals and power plane

Layer 4 (inner)—ground plane

Layer 5 (inner)—power plane

Layer 6 (bottom)—signals and ground plane

6-Layer PCB C:

Layer 1 (top – MCU)—signals and power plane

Layer 2 (inner)—ground plane

Layer 3 (inner)—signals and power plane

Layer 4 (inner)—signals and ground plane

Layer 5 (inner)—power plane

Layer 6 (bottom)—signals and ground plane

8-Layer PCB A:

Layer 1 (top – MCU)—signals

Layer 2 (inner)—ground plane  
Layer 3 (inner)—signals  
Layer 4 (inner)—power plane  
Layer 5 (inner)—ground plane  
Layer 6 (inner)—signals  
Layer 7 (inner)—ground plane  
Layer 8 (bottom)—signals

#### 8-Layer PCB B:

Layer 1 (top – MCU)—signals and power plane  
Layer 2 (inner)—ground plane  
Layer 3 (inner)—signals and power plane  
Layer 4 (inner)—ground plane  
Layer 5 (inner)—power plane  
Layer 6 (inner)—signals and ground plane  
Layer 7 (inner)—power plane  
Layer 8 (bottom)—signals and ground plane

#### 8-Layer PCB C:

Layer 1 (top – MCU)—signals and ground plane  
Layer 2 (inner)—power plane  
Layer 3 (inner)—ground plane  
Layer 4 (inner)—signals  
Thick core  
Layer 5 (inner)—signals  
Layer 6 (inner)—ground plane  
Layer 7 (inner)—power plane  
Layer 8 (bottom)—signals and ground plane

#### 8-Layer PCB D:

Layer 1 (top – MCU)—signals and ground plane  
Layer 2 (inner)—power plane  
Layer 3 (inner)—ground plane  
Layer 4 (inner)—signals and power plane  
Thick core  
Layer 5 (inner)—signals and power plane  
Layer 6 (inner)—ground plane  
Layer 7 (inner)—power plane  
Layer 8 (bottom)—signals and ground plane

In general, avoid placing one signal layer adjacent to another signal layer.

## 2.1.5 Other module hardware considerations

### 2.1.5.1 VBAT

The VBAT input supplies power to the RTC and a 32-byte register file during powerdown and low power modes. This pin can be sourced from the VDD supply or from a dedicated back-up battery cell. A simple battery isolator consists of a dual Schottky array with common cathodes. The TWR board example below (Figure 2-6) uses the BAT54C device to provide battery back-up when the main system power is off. A 100 nF bypass capacitor, placed as near as possible to the MCU, is recommended to minimize the effects of supply switching events.

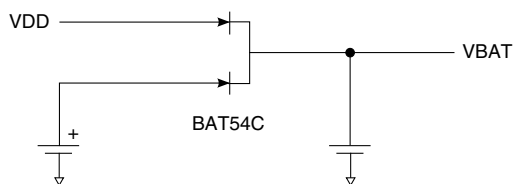


Figure 2-6. VBAT connection example

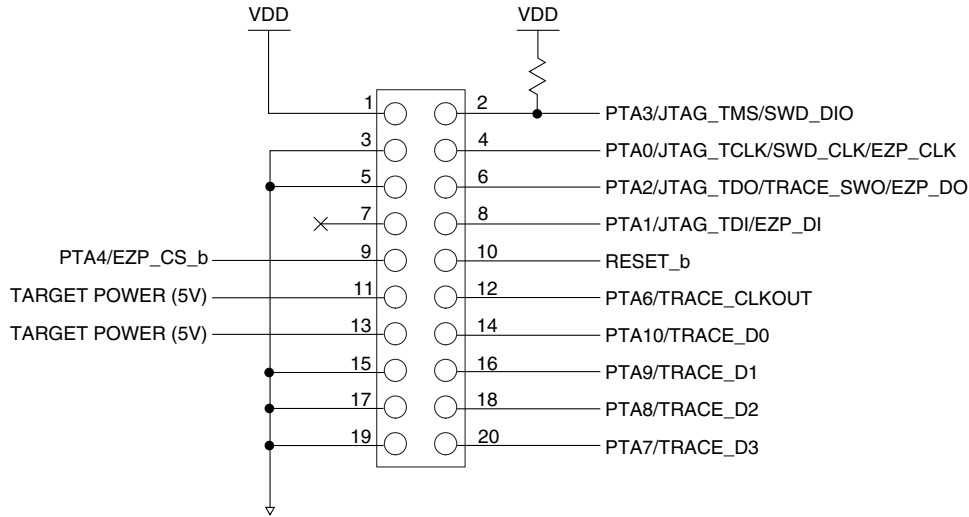
### 2.1.5.2 Voltage reference module

If the output from the Voltage Reference Module is used in tight-regulation buffer mode a 100nF capacitor must be connected between the VREF\_OUT pin and ground.

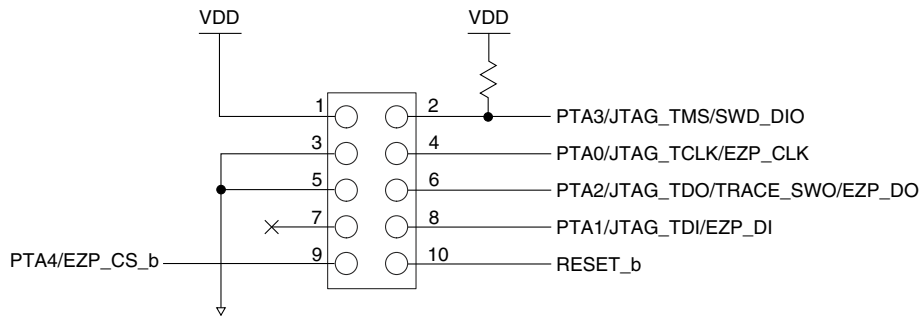
### 2.1.5.3 Debug interface

The Kinetis MCUs use the Cortex Debug interfaces for debugging and programming. The 19-pin Cortex Debug+ETM interface provides connections for JTAG and Serial Wire debugging, as well as target power. The 9-pin Cortex Debug interface provides connections for JTAG and Serial Wire debugging. Figure 2-7 shows the 20-pin header implementation (19 pins populated) as used on the TWR system boards. Figure 2-8 shows the 10-pin header implementation (9 pins populated).





**Figure 2-7. 20-pin debug interface**



**Figure 2-8. 10-pin debug interface**

The debug signals are multiplexed with general purpose I/O pins, so some signals will require proper biasing to select the operating mode. The JTAG\_TMS signal on PTA3 requires a strong pullup resistor for mode selection. The Cortex Debug specification recommends that the JTAG\_TCLK and JTAG\_TDI pins (on PTA0 and PTA1) have pull resistors (high or low) to force a known state on these debug input pins. Note that the RESET\_b signal in the debug interface is the MCU’s reset pin and not the JTAG\_TRST signal. The connectors for this interface are keyed dual row 0.050” centered headers. When implementing either of these headers on a target system, pin 7 must be depopulated to use the 19-pin or 9-pin adapters from the debug tool. The Samtec part numbers for these connectors are:

- FTSH-110-01-L-DV-K – 20-pin keyed connector
- FTSH-105-01-L-DV-K – 10-pin keyed connector

#### Carrier module hardware considerations

- FTSH-110-01-L-DV – 20-pin connector, no key
- FTSH-105-01-L-DV – 10-pin connector, no key

This interface is useful during the development phase of a project. The header may not need to be populated in the production phase of the project, but the PCB pads should be kept available for future debugging purposes.

## Chapter 3

# Nested Vector Interrupt Controller (NVIC)

## 3.1 NVIC

### 3.1.1 Overview

This chapter shows how the NVIC is integrated into the Kinetis MCUs and how to configure it and set-up module interrupts. It also demonstrates the steps to set the interrupts for the desired peripheral and how to locate the vector table from flash to RAM.

#### 3.1.1.1 Introduction

The NVIC is a standard module on the ARM Cortex M series. This module is closely integrated with the core and provides a very low latency for entering an interrupt service routine ISR (12 cycles) and exiting an ISR (12 cycles).

The NVIC provides 16 different interrupt priorities. Priority 0 is the highest and the lowest is 15. This can be used to control which interrupt must be serviced. For example, on a motor-control application if a UART and a timer interrupt occur at the same time, serving the timer interrupt that moves the motor is more critical than the UART interrupt that just received a character. In this case, the timer priority must be set higher than the UART.

#### 3.1.1.2 Features

On Kinetis MCUs the NVIC provides up to 120 interrupt sources including 16 that are core specific. It also implements up to 16 priority levels that are fully programmable. The NVIC uses a vector table to manage the interrupts. This vector table can be stored in either flash or RAM, depending on the application.

**Table 3-1. Core exceptions**

Address	Vector	IRQ	Source module	Source description
ARM Core System Handler Vectors				
0x0000_0000	0	—	ARM core	Initial stack pointer
	1	—	ARM core	Initial program Counter
	2	—	ARM core	NMI
	3	—	ARM core	Hard fault
	4	—	ARM core	Memory manage fault
	5	—	ARM core	Bus fault
	6	—	ARM core	Usage fault
	11	—	ARM core	SVCall
	12	—	ARM core	Debug monitor
	14	—	ARM core	Pendable request for system service
	15	—	ARM core	System tick timer

## 3.1.2 Configuration examples

The NVIC is easy to configure. Two examples are shown in this section. The first example shows how to configure the NVIC for a module. The low power timer (LPTMR) is used as the base for this example. The second example shows how to locate the vector table from the flash to RAM.

### 3.1.2.1 Configuring the NVIC

Configuring the NVIC for the specific module involves writing three registers: NVICSERx (NVIC Set Enable Register), NVICCPRx (NVIC Clear Pending Register), and NVICIPxx (NVIC Interrupt Priority). After the NVIC is configured and the desired peripheral has its interrupts enabled, the NVIC serves any pending request from that module by going to the module's ISR.

#### 3.1.2.1.1 Code example and explanation

This example shows how to set up the NVIC for a specific module. In this case the LPTMR is used.

The steps to configure the NVIC for this module are:

1. Identify the vector number and the IRQ number of the module from the vector table in the device-specific reference manual in the section *Interrupt Channel Assignments*. For the LPTMR the vector is 101.

**Table 3-2. LPTMR  
vector**

Address	Vector	IRQ	Source Module	Source Description
0x0000_018C	99	83	TSI	Single interrupt Source
0x0000_0190	100	84	MCG	
0x0000_0194	101	85	LPTMR	

- Determine which NVICSERx register contains the IRQ. Each NVICSERx register contains 32 IRQs. Therefore, the NVICSER0 can enable from IRQ 0 to IRQ 31, the NVICSER1 from IRQ 32 to IRQ 63, and NVICSER2 from IRQ 64 to IRQ 95. For this example, the NVICSER2 is used because the LPTMR IRQ is 85. The NVICCPRx takes on the same number, in this case NVICCPR2.
- To know which bit to set perform a modulo operation to obtain the remainder by 32 of the IRQ number. This number is used to enable the interrupt on NVICSER2 and to clear the pending interrupts from NVICCPR2.

Example:

$LPTMR\ BIT = 85 \bmod 32$

$LPTMR\ BIT = 21$

- At this point, the interrupt for the LPTMR can be configured:

```
NVICICPR2|= (1<<21); //Clear any pending interrupts on LPTMR
NVICISER2|= (1<<21); //Enable interrupts from LPTMR module
```

- Next, set the interrupt priority level. This is application dependent. On Kinetis MCUs there are 16 different priority levels. To set the priority, write to the NVICIPxx register, the “xx” represents the IRQ number, in this example, NVICIP85. Note the most significant nibble is used to set-up the priority, the lower nibble is reserved and reads as zero. The LPTMR example sets the priority to 3:

```
NVICIP85 = 0x30; //Set Priority 3 to the LPTMR module
```

- After the NVIC registers are set-up, finish the peripheral configuration that must enable the interrupt.
- In the ISR, clear the peripheral interrupt flag to avoid re-entrance. For this example:

```
void vfnLPTMR_ISR (void)
{
    LPTMR0_CSR|=LPTMR_CSR_TCF_MASK; //Clear LPTMR Compare flag
    /*ISR code goes here*/
}
```

### 3.1.2.2 Relocating the vector table

Some applications need the vector table to be located in RAM. For example in an RTOS implementation, the vector table needs to be in RAM, this allows the Kernel to install ISRs by modifying the vector table during runtime.

The NVIC provides a simple way to reallocate the vector table, for this purpose the user needs to set up the Vector Table Offset Register (VTOR) with the address offset for the new position. Use the bit TBLBASE[29] to indicate the table is either on RAM with 1 or flash with 0 and the TBLOFF[28:7] to indicate the address offset for the table.

The Cortex-M4 assumes the RAM starts at 0x20000000 and expects the vector table to be stored in that address if the VTOR TBLBASE[29] bit is set. Because the Kinetis MCU family RAM starts at 0x1fff0000, this bit must be cleared.

If the vector table is planned to be stored in RAM, you must the table copy from the flash to RAM. Also note that in some low power modes, a portion of the RAM will not be powered, which can lead to a vector table corruption. In this case, locate the vector table in the flash prior to entering a low power mode.

#### 3.1.2.2.1 Code example and explanation

The vector table is usually in flash after reset, This indicates that moving the table from flash to RAM is the most common action. To achieve this, two steps must be performed:

1. Copy from flash to RAM the entire vector table. The linker command file labels are useful in this step. This is what the code looks like:

```
/*Address for VECTOR_TABLE and VECTOR_RAM come from the linker file*/

extern uint32 __VECTOR_TABLE[];
extern uint32 __VECTOR_RAM[];

/* Copy the vector table to RAM */
if (__VECTOR_RAM != __VECTOR_TABLE)
{
for (n = 0; n < 0x410; n++)
__VECTOR_RAM[n] = __VECTOR_TABLE[n];
}
```

2. After the table has been copied, set the proper offset for the VTOR register:

```
/* Set the VTOR to be on RAM */
SCB_VTOR = __VECTOR_RAM;
```

It is important to follow the above mentioned steps in the order indicated. This ensures there is always a valid vector table.

### 3.1.2.3 Disabling priorities

There are applications with important code where just certain interrupt priorities are allowed to interrupt, this is because these interrupts are more critical to the application. In other cases, all the interrupts need to be disabled to ensure the code is atomic, for example, a context switch on Operating Systems. The Cortex M4 provides the BASEPRI register that allows disabling lower interrupt priorities from any priority you choose or the option of disabling them all.

The BASEPRI is used as the NVICIPxx register. Therefore, 16 interrupt priorities can be masked and only the most significant nibble is used.

Please note that BASEPRI does not disable any of the fixed priority exceptions as Reset (priority -3), a non-maskable interrupt (NMI) (priority -2), and Hard Fault (priority -1).

BASEPRI can be set only in privilege mode. The reset value is 0x00, therefore all interrupts are enabled.

#### 3.1.2.3.1 Code example and explanation

To set up BASEPRI a function from your development tools can be used. For example in IAR tools, the function is called `__set_BASEPRI`.

1. For disabling lower interrupt priorities set the lowest priority level that the application allows. For example, priority 5 – 0 are allowed. BASEPRI must take the priority 5.

```
/* Disable interrupts priorities from 0x06 - 0x0F */  
__set_BASEPRI(0x50);
```

2. For disabling all priorities to ensure atomic code, the BASEPRI must take the maximum priority value available, for Kinetis MCUs which is priority 15

```
/* Disable all interrupt priorities */  
__set_BASEPRI(0xF0);
```





# Chapter 4

## Clocking System

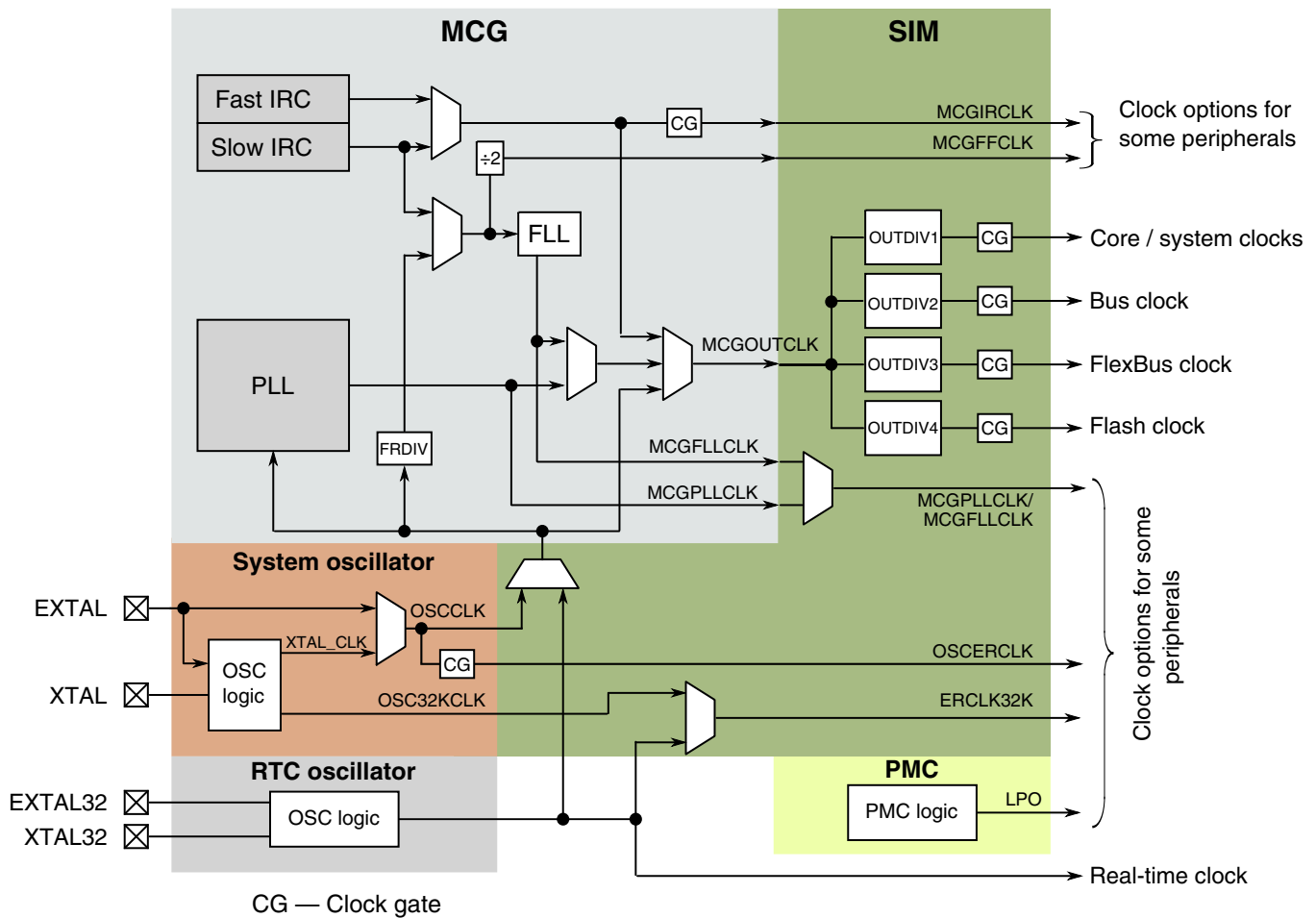
### 4.1 Clocking

#### 4.1.1 Overview

This chapter will demonstrate how to configure the Clocking System and the Multipurpose Clock Generator (MCG) module in various modes that a typical application may require. The examples will show how to enable the on-chip PLL for high-speed operation and how to move backwards and forwards between using the PLL and a low power/low speed mode for entering very low power run mode (VLPR). Also, an example is provided of how to configure the frequency-locked loop (FLL) as the main system clock source, using the RTC oscillator as the reference clock.

#### 4.1.2 Features

The clocking system is summarized in [Figure 4-1](#).



**Figure 4-1. Clock distribution diagram**

The system level clocks are provided by the MCG. The MCG consists of:

- Two individually trimmable internal reference clocks (IRC), a slow IRC with a frequency of ~32 kHz and a fast IRC with a frequency of ~4 MHz (with a fixed divide by 2).
- Frequency locked loop (FLL) using the slow IRC or an external source as the reference clock.
- Phase locked loop (PLL) using an external source as the reference clock.
- Auto trim machine (ATM) to allow both of the IRCs to be trimmed to a custom frequency using an externally-generated reference clock.

The clocks provided by the MCG are summarized as follows:

- MCGOUTCLK – this is the main system clock used to generate the core, bus, and memory clocks. It can be generated from one of the on-chip reference oscillators, the on-chip crystal/resonator oscillator, an externally generated square wave clock, the FLL, or the PLL.
- MCGFLLCLK – this is the output of the FLL and is available any time the FLL is enabled.

- MCGPLLCLK – this is the output of the PLL and is available any time the PLL is enabled.
- MCGIRCLK – this is the output of the selected IRC. The selected IRC will be enabled whenever this clock is selected.
- MCGFFCLK – this is either the slow IRC or the external clock source divided by the FLL external reference divider (FRDIV). This clock is available in all modes except FLL bypassed internal (FBI) and bypassed low power internal (BLPI) when the slow IRC is selected. The source of this clock is selected by the value of the internal reference select bit (IREFS).

In addition to the clocks provided by the MCG, there are three other system level clock sources available for use by various peripheral modules:

- OSCERCLK – this is the clock provided by the system oscillator and is the output of the oscillator or the external square wave clock source.
- ERCLK32K – this is the output of the RTC oscillator or the system oscillator if it is set to provide a 32 kHz clock in low power mode.
- LPO – this is the output of the low power oscillator. It is an on-chip, very low power oscillator with an output of approximately 1 kHz that is available in all run and low power modes.

### 4.1.3 Configuration examples

The MCG can be configured in one of several modes to provide a flexible means of providing clocks to the system for a wide range of applications. Some of the more commonly used modes are described in the following configuration examples.

After exiting reset, or recovering from a very low leakage state, the MCG will be in FLL engaged internal (FEI) mode with MCGCLKOUT at 20.97 MHz, assuming a factory trimmed slow IRC frequency of 32.768 kHz. If a different MCG mode is required, the MCG can be transitioned to that mode under software control.

Although not included in the sample code, you should include a “timeout” mechanism when checking the status bits within the MCG. After making changes to clock selection bits, enabling the oscillator or the PLL, the appropriate status bits should be verified before continuing. If for some reason the bit being checked does not update, the “while loop” will never exit unless a timeout mechanism is used. A timeout counter should be started before checking the status bits. This counter must then be stopped and reset after the loop exits. If a timeout is generated, a decision can be made about what to do depending on the status bits that failed to update. For example, if the oscillator does not start due to a damaged PCB trace, the decision to continue with an internal-only clocking mode can be made with an appropriate indication to the user or a central monitoring station.

### 4.1.3.1 Transitioning to PLL engaged external mode

PLL engaged external mode uses an external clock, from either the crystal oscillator or an externally generated square wave, as the reference for the on-chip PLL. An on-chip divider allows an external clock to provide the reference clock to the PLL within the required range of 2–4 MHz. The PLL provides the most accurate clock source for frequencies greater than can be generated by an external source. In this example, an 8 MHz crystal is used to generate a 96 MHz system clock. The system clock dividers are set to allow the maximum system performance with this clock source. The PLL frequency can be divided down to provide the USB clock of 48 MHz. The MCG is configured to minimize PLL jitter (maximum PLL frequency with the minimum multiplication factor).

#### 4.1.3.1.1 Code example and explanation

```
// If the internal load capacitors are being used, they should be selected
// before enabling the oscillator. Application specific. 16 pF and 8 pF selected
// in this example
OSC_CR = OSC_CR_SC16P_MASK | OSC_CR_SC8P_MASK;
// Enabling the oscillator for 8 MHz crystal
// RANGE=1, should be set to match the frequency of the crystal being used
// HGO=1, high gain is selected, provides better noise immunity but does draw
// higher current
// EREFS=1, enable the external oscillator
// LP=0, low power mode not selected (not actually part of osc setup)
// IRCS=0, slow internal ref clock selected (not actually part of osc setup)
MCG_C2 = MCG_C2_RANGE(1) | MCG_C2_HGO_MASK | MCG_C2_EREFS_MASK;

// Select ext oscillator, reference divider and clear IREFS to start ext osc
// CLKS=2, select the external clock source
// FRDIV=3, set the FLL ref divider to keep the ref clock in range
// (even if FLL is not being used) 8 MHz / 256 = 31.25 kHz
// IREFS=0, select the external clock
// IRCLKEN=0, disable IRCLK (can enable it if desired)
// IREFSTEN=0, disable IRC in stop mode (can keep it enabled in stop if desired)
MCG_C1 = MCG_C1_CLKS(2) | MCG_C1_FRDIV(3);

// wait for oscillator to initialize
while (!(MCG_S & MCG_S_OSCINIT_MASK)){}

// wait for Reference clock to switch to external reference
while (MCG_S & MCG_S_IREFST_MASK){}

// Wait for MCGOUT to switch over to the external reference clock
while (((MCG_S & MCG_S_CLKST_MASK) >> MCG_S_CLKST_SHIFT) != 0x2){}

// Now configure the PLL and move to PBE mode
// set the PRDIV field to generate a 4 MHz reference clock (8 MHz /2)
MCG_C5 = MCG_C5_PRDIV(1); // PRDIV=1 selects a divide by 2

// set the VDIV field to 0, which is x24, giving 4 x 24 = 96 MHz
// the PLLS bit is set to enable the PLL
// the clock monitor is enabled, CME=1 to cause a reset if crystal fails
// LOLIE can be optionally set to enable the loss of lock interrupt

MCG_C6 = MCG_C6_CME_MASK | MCG_C6_PLLS_MASK;
```

```

// wait until the source of the PLLS clock has switched to the PLL
while (!(MCG_S & MCG_S_PLLST_MASK)){}
// wait until the PLL has achieved lock
while (!(MCG_S & MCG_S_LOCK_MASK)){}
// set up the SIM clock dividers BEFORE switching to the PLL to ensure the
// system clock speeds are in spec.
// core = PLL (96 MHz), bus = PLL/2 (48 MHz), flexbus = PLL/2 (48 MHz), flash = PLL/4 (24
MHz)
SIM_CLKDIV1 = SIM_CLKDIV1_OUTDIV1(0) | SIM_CLKDIV1_OUTDIV2(1)
              | SIM_CLKDIV1_OUTDIV3(1) | SIM_CLKDIV1_OUTDIV4(3);

// Transition into PEE by setting CLKS to 0
// previous MCG_C1 settings remain the same, just need to set CLKS to 0
MCG_C1 &= ~MCG_C1_CLKS_MASK;

// Wait for MCGOUT to switch over to the PLL
while (((MCG_S & MCG_S_CLKST_MASK) >> MCG_S_CLKST_SHIFT) != 0x3){}

// The USB clock divider in the System Clock Divider Register 2 (SIM_CLKDIV2)
// should be configured to generate the 48 MHz USB clock before configuring
// the USB module.

SIM_CLKDIV2 |= SIM_CLKDIV2_USBDIV(1); // sets USB divider to /2 assuming reset
// state of the SIM_CLKDIV2 register
    
```

### 4.1.3.2 Transitioning between PLL engaged external mode and bypassed low power internal mode

To be able to move the MCU into the VLPR (or wait) mode, the MCG must be set in a low-power, low-frequency mode with MCGCLKOUT  $\leq$  2 MHz. This mode is provided by means of selecting the fast IRC when the MCG is set in BLPI mode. This example shows how to move to this clock mode from PLL engaged external mode before entering VLPR and then returns to that mode after VLPR is exited. In VLPR mode, the system clock dividers cannot be changed. These dividers should be configured when the MCG is in BLPI mode before the MCU power mode is changed to VLPR.

#### 4.1.3.2.1 Code example and explanation

```

// Moving from PEE to BLPI
// first move from PEE to PBE
MCG_C1 |= MCG_C1_CLKS(2); // select external reference clock as MCG_OUT
// Wait for clock status bits to update indicating clock has switched
while (((MCG_S & MCG_S_CLKST_MASK) >> MCG_S_CLKST_SHIFT) != 0x2){}
// now move to FBE mode
// make sure the FRDIV is configured to keep the FLL reference within spec.
MCG_C1 &= ~MCG_C1_FRDIV_MASK; // clear FRDIV field
MCG_C1 |= MCG_C1_FRDIV(3); // set FLL ref divider to 256

MCG_C6 &= ~MCG_C6_PLLS_MASK; // clear PLLS to select the FLL

while (MCG_S & MCG_S_PLLST_MASK){} // Wait for PLLST status bit to clear to
// indicate switch to FLL output

// now move to FBI mode
MCG_C2 |= MCG_C2_IRCS_MASK; // set the IRCS bit to select the fast IRC
// set CLKS to 1 to select the internal reference clock
// keep FRDIV at existing value to keep FLL ref clock in spec.
// set IREFS to 1 to select internal reference clock
MCG_C1 = MCG_C1_CLKS(1) | MCG_C1_FRDIV(3) | MCG_C1_IREFS_MASK;
// wait for internal reference to be selected
    
```

## Clocking

```

while (!(MCG_S & MCG_S_IREFST_MASK)){}
// wait for fast internal reference to be selected
while (!(MCG_S & MCG_S_IRCST_MASK)){}
// wait for clock to switch to IRC
while (((MCG_S & MCG_S_CLKST_MASK) >> MCG_S_CLKST_SHIFT) != 0x1){}
// now move to BLPI
MCG_C2 |= MCG_C2_LP_MASK; // set the LP bit to enter BLPI

// set up the SIM clock dividers BEFORE switching to VLPR to ensure the
// system clock speeds are in spec. MCGCLKOUT = 2 MHz in BLPI mode
// core = 2 MHz, bus = 2 MHz, flexbus = 2 MHz, flash = 1 MHz
SIM_CLKDIV1 = SIM_CLKDIV1_OUTDIV1(0) | SIM_CLKDIV1_OUTDIV2(0)
              | SIM_CLKDIV1_OUTDIV3(0) | SIM_CLKDIV1_OUTDIV4(1);

```

Now that MCGCLKOUT is at 2 MHz, the MCU VLPR power mode may be selected. Refer to the power management controller for details on this. When the MCU transitions back to normal run mode, the MCG will still be configured in BLPI mode. The MCG is then configured in PLL engaged external mode by means of software as follows:

```

// Moving from BLPI to PEE
// first move to FBI
MCG_C2 &= ~MCG_C2_LP_MASK; // clear the LP bit to exit BLPI
// move to FBE
// clear IREFS to select the external ref clock
// set CLKS = 2 to select the ext ref clock as clk source
// it is assumed the oscillator parameters in MCG_C2 have not been changed
MCG_C1 = MCG_C1_CLKS(2) | MCG_C1_FRDIV(3);
// wait for the oscillator to initialize again
while (!(MCG_S & MCG_S_OSCINIT_MASK)){}
// wait for Reference clock to switch to external reference
while (MCG_S & MCG_S_IREFST_MASK){}
// wait for MCGOUT to switch over to the external reference clock
while (((MCG_S & MCG_S_CLKST_MASK) >> MCG_S_CLKST_SHIFT) != 0x2){}
//configure PLL and system clock dividers as FEI to PEE example
MCG_C5 = MCG_C5_PRDIV(1);
MCG_C6 = MCG_C6_PLLS_MASK;
while (!(MCG_S & MCG_S_PLLST_MASK)){}
while (!(MCG_S & MCG_S_LOCK_MASK)){}
// configure the clock dividers back again before switching to the PLL to ensure the system
// clock speeds are in spec.
// core = PLL (96 MHz), bus = PLL/2 (48 MHz), flexbus = PLL/2 (48 MHz), flash = PLL/4 (24
MHz)
SIM_CLKDIV1 = SIM_CLKDIV1_OUTDIV1(0) | SIM_CLKDIV1_OUTDIV2(1)
              | SIM_CLKDIV1_OUTDIV3(1) | SIM_CLKDIV1_OUTDIV4(3);
MCG_C1 &= ~MCG_C1_CLKS_MASK;
while (((MCG_S & MCG_S_CLKST_MASK) >> MCG_S_CLKST_SHIFT) != 0x3){}

```

### 4.1.3.3 Configuring the FLL with the RTC oscillator as a reference

The MCG can generate all the system clocks using the FLL with the RTC oscillator being used as the reference for it. This has the benefit that an accurate reference clock can be used without the cost of additional external components in an application where the RTC is already being used.

#### 4.1.3.3.1 Code example and explanation

```

// Using the RTC OSC as Ref Clk
// Configure and enable the RTC OSC
// select the load caps (application dependent) and the oscillator enable bit

```

```

// note that other bits in this register may need to be set depending on the intended use of
the RTC
RTC_CR |= RTC_CR_SC16P_MASK | RTC_CR_SC8P_MASK | RTC_CR_OSCE_MASK;

time_delay_ms(1000); // wait for the RTC oscillator to initialize
// select the RTC oscillator as the MCG reference clock
SIM_SOPT2 |= SIM_SOPT2_MCGCLKSEL_MASK;

// ensure MCG_C2 is in the reset state, key item is RANGE = 0 to select the correct FRDIV
factor
MCG_C2 = 0x0;

// Select the Reference Divider and clear IREFS to select the osc
// CLKS=0, select the FLL as the clock source for MCGOUTCLK
// FRDIV=0, set the FLL ref divider to divide by 1
// IREFS=0, select the external clock
// IRCLKEN=0, disable IRCLK (can enable if desired)
// IREFSTEN=0, disable IRC in stop mode (can keep it enabled in stop if desired)
MCG_C1 = 0x0;
// wait for Reference clock to switch to external reference
while (MCG_S & MCG_S_IREFST_MASK){}
// Wait for clock status bits to update
while (((MCG_S & MCG_S_CLKST_MASK) >> MCG_S_CLKST_SHIFT) != 0x0){}

// Can select the FLL operating range/freq by means of the DRS and DMX32 bits
// Must first ensure the system clock dividers are set to keep the core and
// bus clocks within spec.
// core = FLL (48 MHz), bus = FLL (48 MHz), flexbus = PLL (48 MHz), flash = PLL/2 (24 MHz)

SIM_CLKDIV1 = SIM_CLKDIV1_OUTDIV1(0) | SIM_CLKDIV1_OUTDIV2(0)
              | SIM_CLKDIV1_OUTDIV3(0) | SIM_CLKDIV1_OUTDIV4(1);
// In this example DMX32 is set and DRS is set to 1 = 48 MHz from a 32.768 kHz
// crystal
MCG_C4 |= MCG_C4_DMX32_MASK | MCG_C4_DRST_DRS(1);

```

### 4.1.4 Clocking system device hardware implementation

It is possible to provide all the system level clocks from internal sources. However, if the PLL is to be used or an accurate reference clock is required, an external clock must be provided. This can be from an externally generated clock source that provides a square wave clock or it can be from an internal oscillator using an external crystal or resonator.

There are two independent on-chip crystal oscillators, one for the RTC and one to provide a reference for the main system clocks.

The RTC clock source comes only from the dedicated RTC oscillator. In many cases, the RTC oscillator will require only an external 32 kHz crystal. The oscillator feedback resistor is integrated within the device along with selectable internal load capacitors.

The main system oscillator can be configured in various ways depending on the crystal frequency and mode being used. Refer to the device-specific reference manual for details. The main oscillator also has programmable internal load capacitors. When the main oscillator is configured for low power an integrated oscillator feedback resistor is provided.

The internal crystal load capacitors in both oscillators are selectable in software to provide up to 30 pF, in 2 pF increments, for each of the EXTAL and XTAL pins. This provides an effective series capacitive load of up to 15 pF. The parasitic capacitance of the PCB should also be included in the calculation of the total crystal load. The combination of these two values will often mean that no external load capacitors are required.

If either of the main oscillator pins are not being used, they may be left unconnected in their default reset configuration or may be used as general-purpose outputs (not inputs).

### 4.1.5 Layout guidelines for general routing and placement

Use the following general routing and placement guidelines when laying out a new design. These guidelines will help to minimize electromagnetic compatibility (EMC) problems.

- To minimize parasitic elements, surface mount components should be used where possible
- All components should be placed as close to the MCU as possible.
- If external load capacitors are required, they should use a common ground connection shared in the center
- If the crystal, or resonator, has a ground connection, it should be connected to the common ground of the load capacitors
- Where possible:
  - keep high-speed IO signals as far from the EXTAL and XTAL signals as possible
  - do not route signals under oscillator components - on same layer or layer below
  - select the functions of pins close to EXTAL and XTAL to have minimal switching to reduce injected noise

### 4.1.6 References

The following list of application notes associated with crystal oscillators are available on the Freescale website at [www.freescale.com](http://www.freescale.com). They discuss common oscillator characteristics, potential problems and troubleshooting guidelines.

- AN1706: Microcontroller Oscillator Circuit Design Considerations
- AN1783: Determining MCU Oscillator Start-Up Parameters
- AN2606: Practical Considerations for Working With Low-Frequency Oscillators
- AN3208: Crystal Oscillator Troubleshooting Guide



## Chapter 5

# Power Management Controller (PMC/MODECTL)

## 5.1 Using the power management controller

### 5.1.1 Overview

This section will demonstrate how to use the Power Management Controller (PMC) module to protect the MCU from unexpected low  $V_{DD}$  events. References to other protection options will also be made.

#### 5.1.1.1 Introduction

This chapter is a brief description of the power management features of the Kinetis 32-bit MCU.

There are three modules covered in this chapter:

- Power Management Controller (PMC)
- Mode Controller (MC)
- Low Leakage Wakeup Unit (LLWU)

## 5.1.2 Using the low voltage detection system

### 5.1.2.1 Features

The LVD features includes the protection of memory contents from brown out conditions and the operation of the MCU below the specified  $V_{DD}$  levels. The user has full control over the trip voltages of two detection circuits. The first is a warning detect circuit and the second is reset detect circuit.

As voltage falls below the warning level the LVW circuit flags the warning event and can cause an interrupt. If the voltage continues to fall, the LVD circuit flags the detect event and can either cause a reset or an interrupt. The user can choose what action to take in the interrupt service routine. If a detect is selected to drive reset, the LVD circuit holds the MCU in reset until the supply voltage rises above the detect threshold.

There are two independent POR circuits for the MCU, one for VDD and another for VBAT. The POR circuit for the MCU will hold the MCU in reset based upon the VDD voltage. The POR circuit for VBAT will reset both the RTC and OSC2 modules, but will not reset the MCU. If VBAT supply is not present, then accesses to the RTC registers may not occur and could result in a core-lockup type reset in the MCU.

### 5.1.2.2 Configuration examples

LVD and LVW initialization code is given below: Notice the comments describing the chosen settings. You should select the statement options for your application. The NVIC vector flag may be set and should be cleared. The Interrupt is enabled in the NVIC in this initialization.

```
void LVD_Init(void)
{ /* setup LVD
   Low-Voltage Detect Voltage Select
   Selects the LVD trip point voltage (VLVD).
   00 Low trip point selected (VLVD = VLVDL)
   01 High trip point selected (VLVD = VLVDH)
   10 Reserved
   11 Reserved
 */
 /* Choose one of the following statements */
 PMC_LVDSC1 |= PMC_LVDSC1_LVDRE_MASK ; //Enable LVD Reset
 // PMC_LVDSC1 &= ~PMC_LVDSC1_LVDRE_MASK ; //Disable LVD Reset

 /* Choose one of the following statements */
 //PMC_LVDSC1 |= PMC_LVDSC1_LVDV_MASK & 0x01; //High Trip point 2.48V
 PMC_LVDSC1 &= PMC_LVDSC1_LVDV_MASK & 0x00; //Low Trip point 1.54 V

 /* Choose one of the following statements */
 PMC_LVDSC2 = PMC_LVDSC2_LVWACK_MASK | PMC_LVDSC2_LVWV(0);
 //0b00 low trip point LVWV
 //PMC_LVDSC2 = PMC_LVDSC2_LVWACK_MASK | PMC_LVDSC2_LVWV(1);
 //0b01 mid1 trip point LVWV
 //PMC_LVDSC2 = PMC_LVDSC2_LVWACK_MASK | PMC_LVDSC2_LVWV(2);
 //0b01000010 mid2 trip point LVWV
 //PMC_LVDSC2 = PMC_LVDSC2_LVWACK_MASK | PMC_LVDSC2_LVWV(3);
 //0b01000011 high trip point LVWV

 // ack to clear initial flags
 PMC_LVDSC1 |= PMC_LVDSC1_LVDACK_MASK; // clear detect flag if present
 PMC_LVDSC2 |= PMC_LVDSC2_LVWACK_MASK; // clear warning flag if present

 /*
 LVWV if LVDV high range selected
 Low trip point selected (VLVW = VLVW1) - 2.62
 Mid 1 trip point selected (VLVW = VLVW2) - 2.72
 Mid 2 trip point selected (VLVW = VLVW3) - 2.82
 High trip point selected (VLVW = VLVW4) - 2.92
 LVWV if LVDV low range selected
 Low trip point selected (VLVW = VLVW1) - 1.74
 */
}
```

```

Mid 1 trip point selected (VLVW = VLVW2) - 1.84
Mid 2 trip point selected (VLVW = VLVW3) - 1.94
High trip point selected (VLVW = VLV4) - 2.04
*/
NVICICPR0|=1<<20); //Clear any pending interrupts on LVD
NVICISER0|=1<<20); //Enable interrupts from LVD module
}
    
```

### 5.1.2.3 Interrupt code example and explanation

The LVD circuitry can be programmed to cause an interrupt. You should create a service routine to clear the flags and react appropriately. An example of such an interrupt service routine is given. Notice the NVIC module references. This clearing is redundant if the module clearing is done correctly.

```

void pmc_lvd_isr(void){
    printf("\rPMC_LVD ISR entered** ");
    if ( PMC_LVDSC2 & PMC_LVDSC2_LVWF_MASK)
        PMC_LVDSC2 |= PMC_LVDSC2_LVWACK_MASK;
    if ( PMC_LVDSC1 & PMC_LVDSC1_LVDF_MASK)
        PMC_LVDSC1 |= PMC_LVDSC1_LVDACK_MASK;
    NVICICPR0|=1<<20); //Clear any pending interrupts on LVD
}
    
```

### 5.1.2.4 Hardware implementation

**RESET PIN:** The reset pin is driven out if the internal circuitry detects a reset. This is true for all resets, including a reset that causes a recovery from the VLLSx modes. Since these could be warm starts, customers who do not want their external circuitry reset do not want to connect external circuitry to the MC reset pin.

**VDD:** The Vdd supply pins can be driven between 1.71 V and 3.6 V DC.

**VBAT:** The VBAT supply pins can be driven independently from VDD but should be powered up to at least VBATmin. Since there is no equivalent LVD circuitry for the VBAT supply, the VBAT minimum is the POR release point [POR max = 1.5 V]. External bypass capacitors should be supplied.

**XTAL32 and EXTAL32:** Connected to a secondary watch crystal for supplying clock to the RTC module. No load capacitors or bias resistor is required as these are supplied internally.

## 5.2 Using the mode controller

### 5.2.1 Overview

This section will demonstrate how to use the Mode Controller (MC). The MC is responsible for controlling the entry and exit from all of the run, wait and stop modes of the MCU. This module works in conjunction with the PMC and the LLWU to wake up the MCU and move between power modes.

#### 5.2.1.1 Introduction

There are 10 power modes. They are described below.

1. Run — Default Operation of the MCU out of Reset, On-chip voltage regulator is On, full capability.
2. Wait — ARM core enters Sleep Mode, NVIC remains sensitive to interrupts, Peripherals Continue to be clocked.
3. Stop — ARM core enters DeepSleep Mode, NVIC is disabled, WIC is used to wake up from interrupt, peripheral clocks are stopped.
4. Very Low Power Run(VLPR) — On chip voltage regulator is in a mode that supplies only enough power to run the MCU in a reduced frequency. Core and Bus frequency limited to 2 MHz.
5. Very Low Power Wait(VLPW) — ARM core enters Sleep Mode, NVIC remains sensitive to interrupts (FCLK = ON), On chip voltage regulator is in a mode that supplies only enough power to run the MCU at a reduced frequency.
6. Very Low Power Stop(VLPS) — ARM core enters DeepSleep Mode, NVIC is disabled (FCLK = OFF), WIC is used to wake up from interrupt, peripheral clocks are stopped, On chip voltage regulator is in a mode that supplies only enough power to run the MCU at a reduced frequency, all SRAM is operating (content retained and I/O states held).
7. Low leakage stop(LLS) — ARM core enters DeepSleep Mode, NVIC is disabled, LLWU is used to wake up, peripheral clocks are stopped, all SRAM is operating (content retained and I/O states held), most of peripheral are in state retention mode (cannot operate).
8. Very low leakage stop3(VLLS3) — ARM core enters SleepDeep Mode, NVIC is disabled, LLWU is used to wake up, peripheral clocks are stopped, all SRAM is operating (content retained and I/O states held), most modules are disabled.

9. Very low leakage stop 2(VLLS2) — ARM core enters SleepDeep Mode, NVIC is disabled, LLWU is used to wake up, peripheral clocks are stopped, Only portion of SRAM is operating (content retained and I/O states held), most modules are disabled.
10. Very low leakage stop 1(VLLS1) — Lowest Power Mode ARM core enters SleepDeep Mode, NVIC is disabled, LLWU is used to wake up, peripheral clocks are stopped, All SRAM is powered down and I/O states held), most modules are disabled, only two 32-byte register file modules retained and I/O states held.

The modules available in each of the power modes is a described in a table. Please see [Module operation in low power modes](#) for the details of the module operations in the each of the low power modes.

### 5.2.1.2 Features

Mode Control controls entry into and exit from each of the power modes.

## 5.2.2 Configuration examples

How you decide which modes to use in your solution is an exercise in matching the requirements of your system, and selecting which modules are needed during each mode of the operation for your application. The best way to explain would be to work through an example.

For example, consider the case of a battery-operated human interface device that requires a real-time clock timebase. It will wake up every second, update the time of day, and check the conditions of several sensors. Then it will take action based upon the state and, when requested, perform high levels of computation to control the operation of a device. After reviewing the power modes table in [Module operation in low power modes](#), you should be able to identify which of the modules are functioning in each of the low power modes.

At this point in this example, notice that the RTC, the segment LCD, the TSI and the comparator are among a few modules that are fully functional in several of the lowest power modes.

In this example system, the MCU would spend most of the time in one of the lowest power modes waking up every second to update the time of day variables and update the display, plus other house-keeping tasks.

The MCU could also wakeup from a user input. This could be hitting a button, a touch of a capacitive sensor, the rise or fall of an analog signal from a sensor feeding the comparator. To enable these sources please refer to the LLWU section 3 for configuration details.

The example codes for MC are available from the Freescale Web site [www.freescale.com](http://www.freescale.com).

### 5.2.2.1 MC code example and explanation

There are two registers in the mode controller: the PMPROT register and the Power Management Protection register. This is a write once register after a reset. This means that once written all subsequent writes are ignored. In our example system above, our two basic modes of operation are run mode and LLS mode. If we do not want the MCU to be in any other low power mode we would want to write the ALLS bit in the PMPROT register.

```
MC_PMPROT = MC_PMPROT_ALLS_MASK;
```

This write allows the MCU to enter LLS only. It is then no longer possible to enter any other low power mode.

Once the PMPROT register has been written, the write to the PMCTRL control register sets the mode entry and exit selection. For our example, entry into LLS mode would be enabled with this write.

```
MC_PMCTRL = MC_PMCTRL_LPLLSM(0x3); // set LPLLSM = 0b11
```

### 5.2.2.2 Entering low leakage stop (LLS) mode

Once the previous two setup steps have been done the low power stop mode would be entered with a write to the SCR register in the core control logic to set the SLEEPDEEP bit.

```
SCB_SCR |= SCB_SCR_SLEEPDEEP_MASK;
```

When the WFI instruction is executed the mode controller will step through the low power entry state machine making sure all of the modules are ready to enter the low power mode. If, for instance the UART is finishing a serial transmission it would hold off the entry into the LLS until the transmission was completed. In C the syntax to execute the core instruction WFI is:

```
asm("WFI");
```

This statement can be placed anywhere in the code and once execute the MCU will enter the selected low power mode. It takes approximately 1 microsecond to enter the low power mode.

### 5.2.2.3 Entering wait mode

If you want to use WAIT mode, then the SLEEPDEEP bit needs to be cleared before executing the WFI instruction.

```
SCB_SCR &= ~SCB_SCR_SLEEPDEEP_MASK;
```

### 5.2.2.4 Exiting low power modes

Each of the power modes has a specific list of exit methods. In general an enabled interrupt from a pin, an enabled module trigger, or a reset will exit the low power modes and return to RUN or VLPR mode. These exit methods are discussed in Section 3 on the LLWU.

Recovery from VLLSx is through the wakeup reset event. The MCU will wake from VLLSx by means of reset, an enabled pin, or an enabled module. See table 3-12, "LLWU inputs," in the LLWU configuration section for a list of the sources. The wakeup flow from VLLS1, 2, and 3 is through reset. The wakeup bit in the SRS registers is set, indicating that the MCU is recovering from a low power mode. Code execution begins but the I/O are held in the pre-low-power mode entry state and the oscillator is disabled (even if EREFSTEN had been set before entering VLLSx). The user is required to clear this hold by writing to the ACKISO bit in the LLWU\_CS register.

Prior to releasing the hold the user must re-initialize the I/O to the pre-low-power mode entry state, so that unwanted transitions on the I/O do not occur when the hold is released. The oscillator cannot be re-enabled before the ACKISO bit is cleared and must be reconfigured after the acknowledge write has been done.

## 5.3 Using the low leakage wakeup unit

### 5.3.1 Overview

This section will demonstrate how to use the Low Leakage Wakeup Unit (LLWU). The LLWU is responsible for selecting and enabling the sources of exit from all of the low power modes of the MCU. This module works in conjunction with the PMC and the MCU to wake the MCU up.

#### 5.3.1.1 Mode transitions

There are particular requirements for exiting from each of the 10 power modes. Please see [Mode transition requirements](#) for a table of the transition requirements for each of the modes of operation.

#### 5.3.1.2 Wakeup sources

There are a possible 16 pin sources and up to 7 modules available as sources of wakeup. Please see [Source of wakeup, pins and modules](#) for a table of external pin wakeup and module wakeup sources.

### 5.3.2 Configuration examples

There are five 8-bit wakeup source enable registers for the pin and module source selection, Three 8-bit wakeup flag registers to indicate which wakeup source was triggered, and one 8-bit status and control register to control the digital filter enable for external pins, and an acknowledge bit to allow certain peripherals and pads to release their held low leakage state.

#### 5.3.2.1 Module wakeup

To configure a module to wakeup the MCU from one of the low power modes requires a study in the control and function of each of the modules capable of waking the MCU. Since the RTC can be on in all low power mode we can configure the RTC to wake up



the system when its interrupt flag is set. To do this we need to enable the RTC module to cause an interrupt and then allow that interrupt to cause a wakeup. To enable the RTC to cause a wakeup the corresponding module wakeup bits must be set.

```
LLWU_ME = LLWU_ME_WUME5_MASK;
        // enable the RTC to wake up from low power modes
```

Other modules have to be enabled in the same way. The table in [Mode transition requirements](#) identifies the wakeup enable bit that must be set for each module by the number of the bit.

### 5.3.2.2 Pin wakeup

To configure a pin to wakeup the MCU from the low power modes requires a study of the port configuration register controls and the GPIO functionality.

The PCR registers select the multiplex selection, the pull enable function, and the interrupt edge selection. If we want to initialize the first wakeup pin, PTE1, as an LLWU wakeup enabled pin we need to

1. Initialize the PCR for PTE1.
2. Make sure the pin is an input.
3. Enable PTE1 as a valid wakeup source in the LLWU.

The code for this is below. This would need to be done for each of the pins you want to enable as wakeup sources.

```
PORTE_PCR1 = (PORT_PCR_ISF_MASK |      // clear Flag if there
              PORT_PCR_MUX(01) |      // GPIO
              PORT_PCR_IRQC(0x0A) |   // falling edge enable
              PORT_PCR_PE_MASK |      // Pull enable
              PORT_PCR_PS_MASK);      // pull up enable
GPIOE_POER &= 0xFFFFFFF0;           // set Port E1 as input
LLWU_PE1 = LLWU_PE1_WUPE0(0x02);    // defining PORT E1 as a wakeup source for LLWU
```

### 5.3.2.3 LLWU port and module interrupts

In the low power modes the ARM core is off, the NVIC is off some of the time and the WIC is kept alive allowing an interrupt from the pin or module to propagate to the mode controller to indicate a wakeup request. To enable the LLWU interrupt we would replace the default vector in the interrupt vector table with the appropriate LLWU interrupt handler with the following sequence.

```
// Enable LLWU Interrupt in NVIC
__VECTOR_RAM[37] = (uint32)llwu_handle; // Replace ISR
NVICICPR0 |= (1<<21); //Clear any pending interrupts on LLWU
NVICISER0 |= (1<<21); //Enable interrupts from LLWU module
```

For our example we allow the processing of the pin PTE1 we add this initialization code:

```
__VECTOR_RAM[107] = (uint32)porte_isr; // Replace ISR
NVICICPR2|=(1<<27); //Clear pending interrupts on Port E
NVICISER2|=(1<<27); //Enable interrupts from Port E
```

Then there is a need for an interrupt service routine for the LLWU and one for the port enabled as a wakeup source.

### 5.3.2.4 Wakeup sequence

The wakeup sequence is not obvious for some of the modes. For most of the wait and stop modes code execution follows a predictable flow. For LLS mode which requires the LLWU, the LLWU vector is fetched and taken right after the wakeup event. If the wakeup source's interrupt flag is not cleared by the LLWU interrupt handler, then the next interrupt vector for the wakeup source is taken and the flag in the port or module can be cleared. Code execution then continues with the instruction following the WFI instruction that sent the MCU into the low power mode.

For VLLS1, VLLS2, or VLLS3, the exit is always through the reset vector and then through the interrupt vector of the LLWU. There is a WAKEUP bit in the SRS register that allows the user to tell if the reset was due to an LLWU wakeup event.

An example of wakeup test code is shown here.

```
if (MC_SRSL & MC_SRSL_WAKEUP_MASK){
printf("[outsRS]Pin Reset wakeup from low power modes\n");
//The state of PMCTRL[LPLLSM] prior to clearing due to update
// of PMPROT indicates which power mode was exited and should be
// used by initialization software for proper power mode recovery.
if ((MC_PMCTRL & MC_PMCTRL_LPLLSM_MASK) == 0)
printf("[outsRS]Pin Reset wakeup from Normal Stop\n");
if ((MC_PMCTRL & MC_PMCTRL_LPLLSM_MASK) == 2)
printf("[outsRS]Pin Reset wakeup from Very Low PowerStop(VLPS)\n");
if ((MC_PMCTRL & MC_PMCTRL_LPLLSM_MASK) == 3)
printf("[outsRS]Pin Reset wakeup from Low Leakage Stop (LLS)\n"); }
```

The I/O states and the oscillator setup are held if the wakeup event is from VLLS1, VLLS2, or VLLS3. The user is required to clear this hold by writing to the ACKISO bit in the LLWU\_CS register. Prior to releasing the hold the user must re-initialize the I/O to the pre-low-power mode entry state, so that unwanted transitions on the I/O do not occur when the hold is released.

```
if (( LLWU_CS & LLWU_CS_ACKISO_MASK) == 1) {
// RE-INITIALIZE MODULES and PORT OUTPUTS HERE
LLWU_CS != LLWU_CS_ACKISO_MASK; }
```

The RTC may be powered by a separate power source and therefore would not need to re-initialized. A simple check of the state of the RTC registers to see if they are already enabled would work.

## 5.4 Module operation in low power modes

Table 5-1. Module operation in low power modes

Module	STOP	VLPR	VLPW	VLPS	LLS	VLLSx
EzPort	Disabled	Disabled	Disabled	Disabled	Disabled	Disabled
SDHC	Wakeup	FF	FF	Wakeup	Static	OFF
GPIO	Wakeup	FF	FF	Wakeup	Static, pins Latched	OFF, Pins Latched
FlexBus	Static	FF	FF	Static	Static	OFF
CRC	Static	FF	FF	Static	Static	OFF
RNGB	Static	FF	Static	Static	Static	OFF
CMT	Static	FF	FF	Static	Static	OFF
NVIC	Static	FF	FF	Static	Static	OFF
Mode Controller	FF	FF	FF	FF	FF	FF
LLWU	Static	Static	Static	Static	FF	FF
Regulator	ON	Low Pwr	Low Pwr	Low Pwr	Low Pwr	Low Pwr
LVD	ON	Disabled	Disabled	Disabled	Disabled	Disabled
LPO(KHz)	ON	ON	ON	ON	ON	ON
Sys OSC	ERCLK optional	ERCLK <4 MHz	ERCLK <4 MHz	ERCLK <4 MHz	Limited to low range	Limited to low range
MCG	Static IRCLK optional PLL possible	2 MHz IRC	2 MHz IRC	Static-no clock	Static-no clock	OFF
CORE CLK	OFF	2 MHz max	OFF	OFF	OFF	OFF
Sys CLK	OFF	2 MHz max	2 MHz max	OFF	OFF	OFF
Bus CLK	OFF	2 MHz max	2 MHz max	OFF	OFF	OFF
FLASH	Powered	1 MHz max no pgm/erase	Low Power	Low Power	OFF	OFF
Portion of SRAM_U	Powered	Powered	Powered	Powered	Powered	Powered in VLLS3 & 2
Remaining SRAM_U and SRAML	Powered	Powered	Powered	Powered	Powered	Powered in VLLS3 & 2
FlexMemory	Powered	Powered	Powered	Powered	Powered	Powered in VLLS3
Sys Reg File	Powered	Powered	Powered	Powered	Powered	Powered
VBAT Reg File	VBAT Powered	VBAT Powered	VBAT Powered	MODULES	VBAT Powered	VBAT Powered
DMA	Static	FF	FF	Static	Static	OFF
UART	Static, WU	125 kbit/s	125 kbit/s	Static WU	Static	OFF
SPI	Static	1 Mbit/s	1 Mbit/s	Static	Static	OFF
I2C	Static, address WU	100 kbit/s	100 kbit/s	Static, address WU	Static	OFF
CAN	Wakeup	FF	FF	Wakeup	Static	OFF

Table continues on the next page...

**Table 5-1. Module operation in low power modes (continued)**

Module	STOP	VLPR	VLPW	VLPS	LLS	VLLSx
I2S	Static	FF	FF	Static	Static	OFF
Segment LCD	FF	FF	FF	FF	FF-RTC clk	FF-RTC clk
TSI	Wakeup	FF	FF	Wakeup	Wakeup -One pin	Wakeup - One pin
FTM	Static	FF	FF	Static	Static	OFF
PIT	Static	FF	FF	Static	Static	OFF
PDB	Static	FF	FF	Static	Static	OFF
LPT	FF	FF	FF	FF	FF	FF
Watchdog	FF	FF	FF	FF	Static	OFF
EWM	Static	FF	Static	Static	Static	OFF
16-bit ADC	ADC internal Clk	FF	FF	ADC internal Clk	Static	OFF
CAN	Wakeup	FF	FF	Wakeup	Static	OFF
CMP	HS or LS	FF	FF	HS or LS	LS	LS
6-bit DAC	Static	FF	FF	Static	Static	Static
VREF	FF	FF	FF	FF	Static	OFF
OPAMP	FF	FF	FF	FF	Static	OFF
TRIAMP	FF	FF	FF	FF	Static	OFF
12-bit DAC	Static	FF	FF	Static	Static	Static
USB-FS/LS	Static	Static	Static	Static	Static	OFF
USB DCD	Static	FF	FF	Static	Static	OFF
USB DCD	Static	FF	FF	Static	Static	OFF
USB Regulator	Optional	Optional	Optional	Optional	Optional	Optional
Ethernet	Wakeup	Static	Static	Static	Static	OFF
RTC-Ext OSC2	FF	FF	FF	FF	FF	FF
CMP	HS or LS	FF	FF	HS or LS	LS	LS
6-bit DAC	Static	FF	FF	Static	Static	Static
VREF	FF	FF	FF	FF	Static	OFF

## 5.5 Mode transition requirements

**Table 5-2. Mode transition requirements**

Trans#	From	To	Trigger Conditions
1	RUN	WAIT	Execute WAIT(); - This means that sleep-now or sleep-on-exit modes entered with SLEEPDEEP clear
	WAIT	RUN	Interrupt or Reset

Table continues on the next page...

**Table 5-2. Mode transition requirements (continued)**

Trans#	From	To	Trigger Conditions
2	RUN	STOP	Execute STOP(); This means that sleep-now or sleep-on-exit modes entered with SLEEPDEEP set
	STOP	RUN	Interrupt or Reset – Interrupt goes to ISR (no LLWU)
3	RUN	VLPR*	Reduce system bus and core frequency to 2 MHz or less Flash access frequency limited to 1 MHz, AVLP = 1 Set RUNM = 10 Note: Poll VLPRS bit before executing VLPR specific code (You also could wait ~ 5 $\mu$ s instead of waiting for VLPRS)
	VLPR*	RUN	Set RUNM = 00 or Interrupt with LPWUI = 1 or Reset Note: Poll REGONS bit before increasing frequency.
4	VLPR*	VLPW	Execute WAIT();
	VLPW	VLPR*	Interrupt with LPWUI = 0
5	VLPW	RUN	Interrupt with LPWUI = 1 or Reset
6	VLPR*	VLPS	LPLLSM = 000 or 010, execute STOP();
	VLPS	VLPR*	Interrupt with LPWUI = 0
7	RUN	VLPS	AVLP=1, LPLLSM =010, execute STOP();
	VLPS	RUN	Interrupt with LPWUI= 1 or Reset
8	RUN	LLS	Set ALLS in PMPROT, LPLLSM = 011, Execute STOP();
	LLS	RUN	Wakeup from enabled LLWU pin or module source or Reset pin
9	VLPR	LLS	Set ALLS in PMPROT, LPLLSM = 011, Execute STOP();
10	RUN	VLLS (3,2,1)	Set AVLLSx in PMPROT, LPLLSM = 101 for VLLS3, 110 for VLLS2, 111 for VLLS1, Execute STOP();

Table continues on the next page...

**Table 5-2. Mode transition requirements (continued)**

Trans#	From	To	Trigger Conditions
	VLLS (3,2,1)	RUN	Wakeup from enabled LLWU input source or Reset. All wakeup goes through Reset sequence. Check SRS for source of wakeup. Check LPLLSM for mode
11	VLPR	VLLS (3,2,1)	Set AVLLSx in PMPROT, LPLLSM = 101 for VLLS3, 110 for VLLS2, 111 for VLLS1, Execute STOP();

## 5.6 Source of wakeup, pins and modules

**Table 5-3. Source of wakeup, pins and modules**

LLWU	Pin function
LLWU_P0	LLWU_M0IF
LLWU_P1	PTE2/DSPI1_SCK/SDHC0_DCLK
LLWU_P2	PTE4/DSPI1_PCS0/SDHC0_D3
LLWU_P3	PTA4/FTM0_CH1/NMI
LLWU_P4	PTA13/CAN0_RX/FTM1_CH1 /FTM1_QD_PHB
LLWU_P5	PTB0/I2C0_SCL/FTM1_CH0 /FTM1_QD_PHA
LLWU_P6	PTC1/SCI1_RTS/FTM0_CH0
LLWU_P7	PTC3/SCI1_RX/FTM0_CH2
LLWU_P8	PTC4/DSPI0_PCS0/FTM0_CH3
LLWU_P9	PTC5/DSPI0_SCK
LLWU_P10	PTC6/PDB0_EXTRG
LLWU_P11	PTC11/SSI0_RXD
LLWU_P12	PTD0/DSPI0_PCS0/SCI2_RTS
LLWU_P13	PTD2/SCI2_RX
LLWU_P14	PTD4/SCI0_RTS/FTM0_CH4/EWM_IN
LLWU_P15	PTD6/SCI0_RX/FTM0_CH6/FTM0_FLT0
LLWU_M0IF	LPT1
LLWU_M1IF	CMP0
LLWU_M2IF	CMP1
LLWU_M3IF	CMP2
LLWU_M4IF	TSI
LLWU_M5IF	RTC
LLWU_M6IF	Reserved
LLWU_M7IF	Error Detect - wake-up source unknown

## Chapter 6

# Memory Protection Unit (MPU)

## 6.1 Using the memory protection unit module

### 6.1.1 Overview

This chapter demonstrates how to use the MPU module, which concurrently monitors system BUS activities and its access privileges on internal RAM. The following example shows how to program the region descriptors that define internal RAM memory spaces and their access rights.

### 6.1.2 Introduction

The MPU is a Freescale Kinetis module for memory protection. This module should not be confused with ARM's MPU. ARM's MPU is not integrated in Kinetis MCUs. However, both Freescale and ARM MPU shared the same purposes – regions protection, access permissions, and overlapping regions protection. In addition, the Freescale MPU provides access error detection and multiple bus masters monitor.

### 6.1.3 Features

A Memory Management Unit (MMU) is designed for complex memory management and memory protection in microprocessors with Translation Look-aside Buffer (TLB), paging, dynamic allocation, access protection, and virtual memory. This MMU implementation will be costly for the overall system – it will have a large memory footprint, higher power consumption, paging segmentation, and larger die size for Kinetis MCUs.

The MPU module is designed for less complex memory management without TLB, paging, dynamic allocation, and virtual memory. It provides lower power consumption and no paging segmentation; therefore, an MPU is better suited for MCUs.

## 6.1.4 Configuration examples

### 6.1.4.1 Region descriptors setup

Example code:

```
#define TCML_BASE 0x20000000// Upper SRAM bitband region
#define TCML_SIZE 0x00010000

/* MPU Configuration */
MPU_RGDO_WORD2 = 0;// Disable RGDO

// Set RGD1
MPU_RGD1_WORD0 = 0;// Start address
MPU_RGD1_WORD1 = (TCML_BASE + TCML_SIZE);// End Address
MPU_RGD1_WORD2 = 0x0061F7DF;(No magic #'s)// Bus master 3: SM all access (List what the Bus
masters are in addition to #'s)
// Bus master 2: SM all access
// Bus master 2: UM all access
// Bus master 1: SM all access
// Bus master 1: UM all access
// Bus master 0: SM all access
// Bus master 0: UM all access
MPU_RGD1_WORD3 = 0x00000001;// region is valid

// Set RGD2
MPU_RGD2_WORD0 = (TCML_BASE + TCML_SIZE + 0x40);
MPU_RGD2_WORD1 = 0xFFFFFFFF;// End Address
MPU_RGD2_WORD2 = 0x0061F7DF;
MPU_RGD2_WORD3 = 0x00000001;// region is valid

// Enable MPU function
MPU_CESR = 0x00000001;
```



# Chapter 7

## Enhanced Direct Memory Access (eDMA) Controller

### 7.1 eDMA

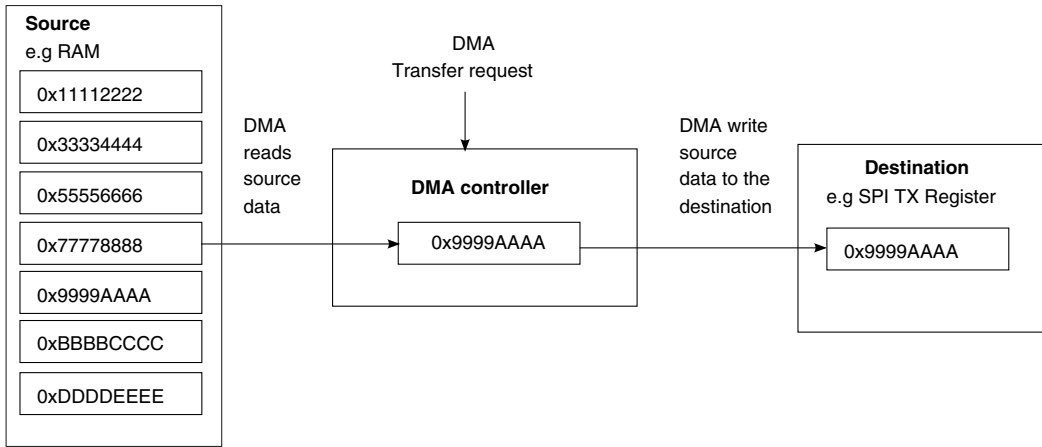
#### 7.1.1 Overview

This chapter is a compilation of code examples and quick reference materials that have been created to help you speed up the development of your applications with the eDMA module of the Kinetis family. Consult the device-specific reference manual for specific part information.

This chapter demonstrates how to configure and use the eDMA module to create data movement between different memory and peripheral spaces without the CPU's intervention.

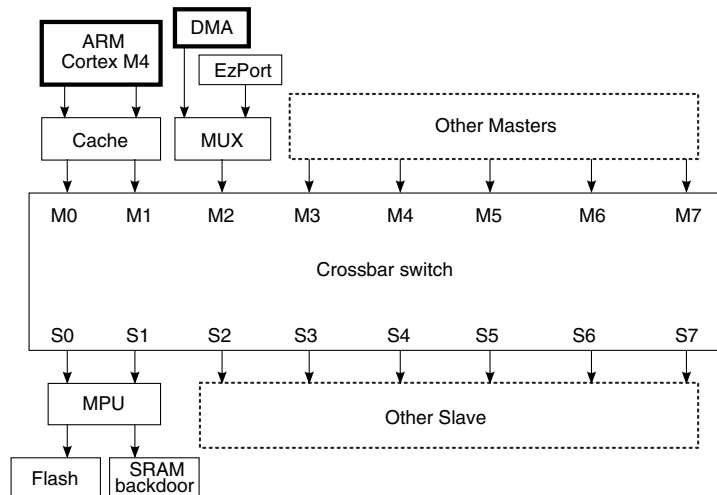
##### 7.1.1.1 Introduction

The DMA controller provides the ability to move data from one memory mapped location to another. After it is configured and initiated, the DMA controller operates in parallel to the core, performing data transfers that would otherwise have been handled by the CPU. This results in reduced CPU loading and a corresponding increase in system performance. [Figure 7-1](#) illustrates the functionality provided by a DMA controller.



**Figure 7-1. DMA operational overview**

The Kinetis family features an enhanced Direct Memory Access (eDMA) controller for data movement. The eDMA controller of the Kinetis family contains a 16-bit data buffer as temporary storage, see [Figure 7-1](#). Because Kinetis is a crossbar based architecture, the CPU is the primary bus master hooked on the M0 and M1 master port. The eDMA is connected to the M2 master port of the crossbar switch. Therefore the CPU and eDMA can access different slave ports simultaneously. With this multi-master architecture, the system can make the maximum usage of the eDMA feature. [Figure 7-2](#) shows the basic architecture of the Kinetis family. A specialized device may have differences — refer to the device-specific reference manual for details.



**Figure 7-2. Crossbar switch configuration**

The crossbar switch forms the heart of this multi-master architecture. It links each master to the required slave device. If both masters attempt joint access to the same slave, an arbitration scheme commences eliminating the bus contention. Both fixed priority and round robin arbitration schemes are available. If both masters attempt to access different slaves, an arbitration scheme works for the judgement.

## 7.1.2 eDMA trigger

Each channel of the Kinetis eDMA module can be triggered to start DMA transfer of multiple sources from peripherals or software. The eDMA module integrates the DMA Mux to route a different trigger source to the 16 channels. With the DMA Mux, up to 63 events occurring within other peripheral modules can activate an eDMA transfer. In many modules, event flags can be asserted as either eDMA or Interrupt requests. These sources can be selected through `DMAMUX_CHCFGn[SOURCE]` registers. But different devices may have different peripheral source configurations. Refer to the device-specific reference manual for details.

### 7.1.2.1 DMA multiplexer

The DMA channel Mux helps to configure the eDMA source. 52 peripheral slots and 10 always-on slots can be routed to 16 channels. The first four channels additionally provide periodic trigger functionality. And each channel router can be assigned to one of the 52 possible peripheral DMA slots or to one of the 10 always-on slots. The logic structure of the DMA Mux is illustrated in [Figure 7-3](#).

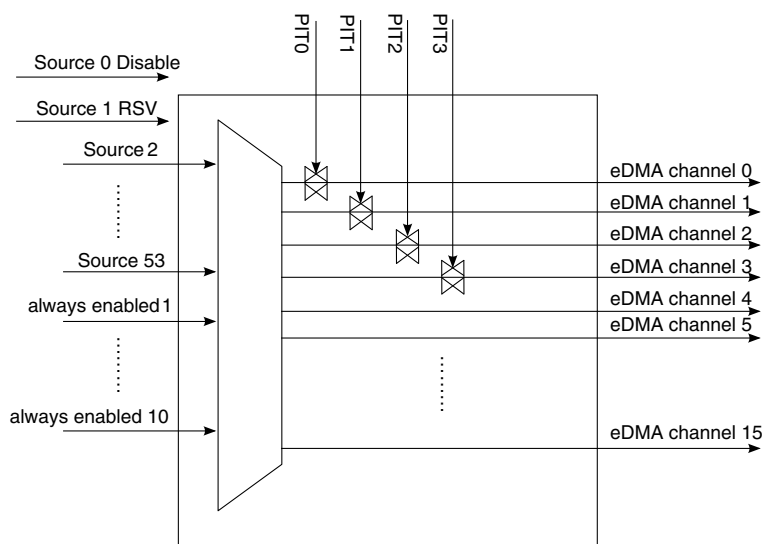


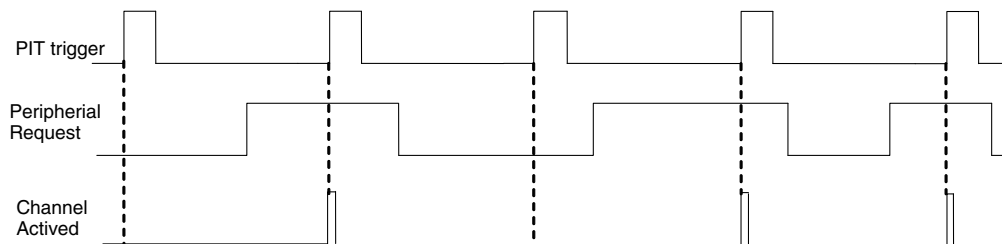
Figure 7-3. DMA Mux block diagram

### 7.1.2.2 Trigger mode

The DMA Mux supports three different options for triggering DMA transfer requests.

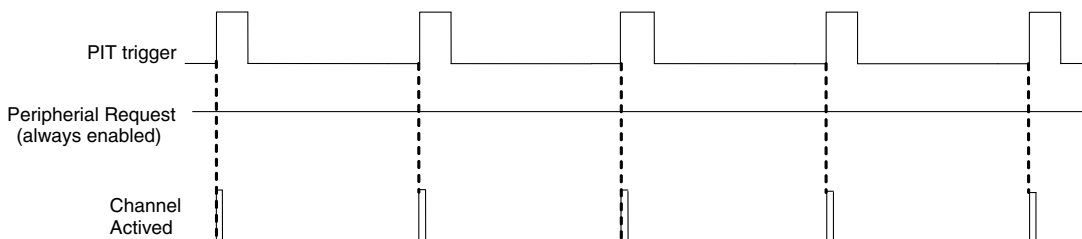
- **Disabled Mode**—No request signal is routed to the channel and the channel is disabled. This is the reset state of a channel in DMA Mux. Disabled mode can also be used to suspend an eDMA channel while it is reconfigured or not required.
- **Normal Mode**—A DMA request is routed directly to the specified eDMA channel.
- **Periodic Trigger Mode**—This mode is only available on eDMA channel 0~3. In this mode, a PIT request is working as a strobe for the channel’s DMA request source, which means the DMA source may only request a DMA transfer periodically. The transfer may be started only when both the DMA request source and the period trigger are active. This provides a means to gate or throttle transfer requests using the PIT. This is normally used for periodically polling the peripheral source status to control the transfer schedule or for periodical transferring.

Figure 7-4 shows the relationship between the PIT periodic trigger, peripheral transfer source request, and the transfer activation.



**Figure 7-4. PIT gated transfer activation**

The hardware provides ten “always enabled request” sources that can be used in periodic trigger mode. These permit transfers to be initiated based only on the PIT. This is shown in Figure 7-5.



**Figure 7-5. PIT-only transfer activation**

### 7.1.2.3 Multiple transfer requests

Only one channel can actively perform a transfer. To manage multiple pending transfer requests, the eDMA controller offers channel prioritization. Fixed priority or round robin priority can be selected.

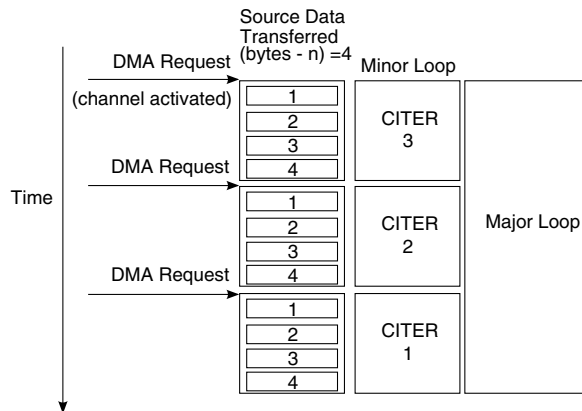
In the fixed priority scheme each channel is assigned a priority level. When multiple requests are pending, the channel with the highest priority level performs its transfer first. By default, fixed priority arbitration is implemented with each channel being assigned a priority level equal to its channel number. Higher priority channels can preempt lower priority channels. Preemption occurs when a channel is performing a transfer while a transfer request is asserted to a channel of a higher priority. The lower priority channel halts its transfer on completion of the current read/write operation and allows the channel of higher priority to work.

In round robin mode, the eDMA cycles through the channels from the highest to the lowest, checking for a pending request. When a channel with a pending request is reached, it is allowed to perform its transfer. After the transfer has been completed, the eDMA continues to cycle through the channels looking for the next pending request.

### 7.1.3 Transfer process—major and minor transfer loop

Each channel requires a 32-byte transfer control descriptor (TCD) for defining the desired data movement operation. The channel descriptors are stored in the eDMA local memory in sequential order.

Each time a channel is activated and executes,  $n$  bytes are transferred from the source to the destination. This is referred to as a minor transfer loop. A major transfer loop consists of a number of minor transfer loops, and this number is specified within the TCD. As iterations of the minor loop are completed, the current iteration (CITER) TCD field is decremented. When the current iteration field has been exhausted, the channel has completed a major transfer loop. [Figure 7-6](#) shows the relationship between major and minor loops. In this example a channel is configured so that a major loop consists of three iterations of a minor loop. The minor loop is configured as a transfer of 4 bytes.



**Figure 7-6. Major and minor transfer loops**

### 7.1.4 Configuration steps

To configure the eDMA the following initialization steps must be followed:

1. Write the eDMA control register (only necessary if the configuration of another than the default is required)
2. Configure channel priority registers in the DCHPRIn (if necessary)
3. Enable error interrupts using either the DMAEEI or DMASEEI register (if necessary)
4. Write the transfer control descriptors for channels that will be used
5. Configure the appropriate peripheral module and configure the eDMA MUX to route the activation signal to the appropriate channel

All transfer attributes for a channel are defined in the unique TCD for the channel. Each 32-bit TCD is stored in the eDMA controller module. Only the DONE, ACTIVE and STATUS fields are initialized at reset. All other TCD fields are undefined at reset and must be initialized by the software before the channel is activated. Failure to do this results in unpredictable behavior. Refer to the device-specific reference manual for the TCD detail description.

### 7.1.5 Example—PIT-gated DMA requests

In this example, the eDMA is used to supply the analog-to-digital converter with a command word and move the result of AD to a location in the internal SRAM. The AD command word stores all the information that the AD module requires for a conversion,

so by using the DMA to provide the command words, the module can be instructed to perform conversions without any CPU intervention. After the result is transferred by the eDMA to internal SRAM, the application can make further analysis on the data.

### 7.1.5.1 Requirements

The input to the ADC0 must be sampled every 1 ms. To achieve this, a 32-bit AD command word must be supplied to the ADC0\_SC1A (0x4003B000) every 1 ms, when the module is able to accept the command. The command word is located in the internal SRAM. This example only requires a single command word to be provided to the AD. It is stored in a variable labeled "command." After the AD has completed the conversion, the result is moved from the AD result register ADC0\_RA, located at 0x4003B010, to address 0x1FFF9000 in internal SRAM. [Figure 7-7](#) illustrates the functionality of this example.

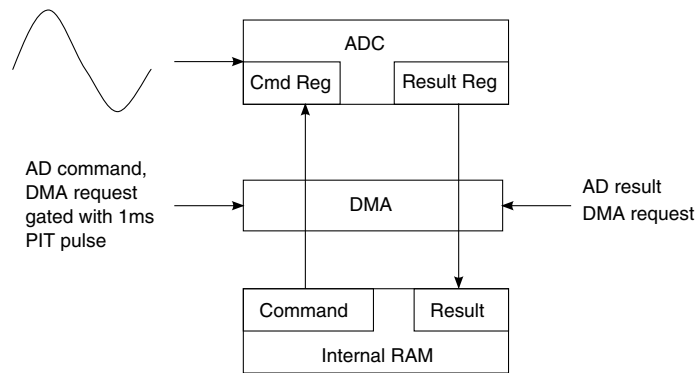


Figure 7-7. Example 2 overview

### 7.1.5.2 Module configuration

To implement this example two eDMA channels are required: one to transfer the command word and the other to transfer the result. The command transfer request requires a 1 ms PIT trigger, and an always-on trigger. The DMA MUX must be configured for PIT gated channel activation. Channel 1 is configured to perform this transfer.

Channel 0 is used to transfer the AD result to RAM. This transfer is activated when the AD result ready flag is asserted. The default channel arbitration gives channel 1 priority over channel 0. This configuration ensures that the AD receives a command word every 1 ms. It could however cause results to be overwritten in the result register before they have

been moved by the eDMA, as the channel reading the results does not have priority. The setup can be changed to ensure every result is captured to give the channel reading the results higher priority. The DMA MUX configuration for channels 0 and 1 is:

```
/* Configure DMAMux for Channel 0 */
DMAMUX_CHCONFIG0 = (0
| DMAMUX_ENABLE /* Enable routing of DMA request */
| DMAMUX_SOURCE(40)); /* Channel Activation Source: AD_A Result */
/* Configure DMAMux for Channel 1 */
DMAMUX_CHCONFIG1 = (0
| DMAMUX_ENABLE /* Enable routing of DMA request */
| DMAMUX_TRIG /* Trigger Mode: Periodic */
| DMAMUX_SOURCE(54)); /* Channel Activation Source: AD_A Command */
```

Channel 1 is configured to use a periodic trigger – PIT1. The PIT1 module must be enabled and configured for the desired time interval.

The command data of the AD module must be prepared according to the definition of the AD command register before starting the DMA transfer (enable PIT1). Each channel in this example transfers data to or from the static-address, 32-bit wide command or result register, respectively. Therefore, it is necessary to restore the address pointers in the TCD when the major or minor transfer loop is complete. This example has no table of data to transfer, making only a single minor loop necessary to complete a major loop. The source and destination addresses are therefore restored on completion of the major loop. The TCD configuration for channels 0 and 1 is:

```
/* Configure DMA Channel 0 TCD */
EDMAC_TCD0_W0 = EDMAC_SADDR(0x4003B010); /* Source Address = AD Result Register
EDMAC_TCD0_W1 = (0
| EDMAC_SMOD(0x0) /* Source Modulo, feature disabled */
| EDMAC_SSIZE(0x2) /* Source Size = 0x2 -> 32-bit transfers */
| EDMAC_DMOD(0x0) /* Destination Modulo, feature disabled */
| EDMAC_DSIZE(0x2) /* Destination Size = 0x2 -> 32-bit transfers */
| EDMAC_SOFF(0x0)); /* Source addr offset = 0x0, do not increment */
EDMAC_TCD0_W2 = EDMAC_NBYTES(0x4); /* Transfer 4 bytes per channel activation */
EDMAC_TCD0_W3 = EDMAC_SLAST(0x0); /* Do not adjust SADDR upon channel completion */
EDMAC_TCD0_W4 = EDMAC_DADDR(0x1FFF9000); /* Destination Address = 0x500, Ext RAM */
EDMAC_TCD0_W5 = (0
/*| EDMAC_CITER_E_LINK /* Do not set ELINK bit, no channel linking */
| EDMAC_CITER(0x1) /* Current Iter Count -> 1 "NBYTES" transfer */
| EDMAC_DOFF(0x0)); /* Destination addr offset = 0x0, no increment */
EDMAC_TCD0_W6 = EDMAC_DLAST(0x0); /* Do not adjust DADDR upon channel completion */
EDMAC_TCD0_W7 = (0
| EDMAC_BITER(0x1) /* Beginning Iteration Count = 1 = CITER */
| EDMAC_BWC(0x0) /* Bandwidth control = 0 -> No eDMA stalls */
| EDMAC_MAJOR_LINKCH(0x0)); /* Ignored, no channel linking */

/* Configure DMA Channel 1 TCD */
EDMAC_TCD1_W0 = EDMAC_SADDR((uint32)&command); /* Source Addr = address of command var */
EDMAC_TCD1_W1 = (0
| EDMAC_SMOD(0x0) /* Source Modulo, feature disabled */
| EDMAC_SSIZE(0x2) /* Source Size = 0x2 -> 32-bit transfers */
| EDMAC_DMOD(0x0) /* Destination Modulo, feature disabled */
| EDMAC_DSIZE(0x2) /* Destination Size = 0x2 -> 32-bit transfers */
| EDMAC_SOFF(0x0)); /* Source addr offset = 0x0, do not increment */
EDMAC_TCD1_W2 = EDMAC_NBYTES(0x4); /* Transfer 4 bytes per channel activation */
EDMAC_TCD1_W3 = EDMAC_SLAST(0x0); /* Do not adjust SADDR upon channel completion */
EDMAC_TCD1_W4 = EDMAC_DADDR(0x4003B000); /* Dest Addr = ATD Command Word Register */
EDMAC_TCD1_W5 = (0
/*| EDMAC_CITER_E_LINK /* Do not set ELINK bit, no channel linking */
| EDMAC_CITER(0x1) /* Current Iter Count -> 1 "NBYTES" transfer */
```



```
| EDMAC_DOFF(0x0)); /* Destination addr offset = 0x0, no increment */
EDMAC_TCD1_W6 = EDMAC_DLAST(0x0); /* Do not adjust DADDR upon channel completion */
EDMAC_TCD1_W7 = (0
/*| EDMAC_BITER_E_LINK /* Do not set ELINK bit, no channel linking */
| EDMAC_BITER(0x1) /* Beginning Iteration Count = 1 = CITER */
| EDMAC_BWC(0x0) /* Bandwidth control = 0 -> No eDMA stalls */
| EDMAC_MAJOR_LINKCH(0x0)); /* Ignored, no channel linking */
```

Using these configurations produces the required eDMA functionality for this example.



## Chapter 8

# Using the Flash Standard Software Drivers

### 8.1 Overview

This chapter provides an introduction to the standard software drivers (SSDs) for 90 nm thin film storage flash (FTFx) derivatives, which include the Kinetis family. These software drivers are a set of application programming interfaces (APIs) intended to provide program and erase capability, security-related commands, and interrupt configurations in a set of functions for use by embedded system developers and third-party flash programming tool developers. The FTFx SSDs provide support for program-flash (P-Flash) and for Kinetis variants that feature FlexMemory, the FTFx SSDs provide support for:

- FlexNVM which may be partitioned as data flash (D-Flash) and/or
- E-Flash (for EEPROM backup) and FlexRAM, which may be used as traditional RAM or, as high-endurance enhanced EEPROM (EEE) storage.

The following examples will reference the FTFL Flash found on some Kinetis variants, but can be equally applied to the other derivatives with minor differences. Please refer to the specific SSDs for your FTFx derivative for more details.

### 8.2 Downloading flash software drivers

The FTFL standard software drivers can be downloaded from <http://www.freescale.com>, using the following steps:

1. Visit <http://www.freescale.com/webapp/sps/site/homepage.jsp?code=KINETIS>.
2. Select a Kinetis microcontroller family.
3. Navigate the Software and Tools tab.
4. Select Device Drivers.
5. Select the file C90TFS\_FLASH\_DRIVER.

Alternatively, the C90TFS flash software drivers can be located by typing C90TFS\_FLASH\_DRIVER in the keyword search field of <http://www.freescale.com>.

## 8.3 Features

The FTFL SSDs allow the user to perform the following tasks on the flash:

- Flash initialization
- Erase flash (single block, all blocks, sector)
- Read 1s (single block, all blocks, section)
- Program (longword, section)
- Program check
- Calculate flash checksum
- Program information row
- Read information row (Program Flash, Data Flash)
- Set/Get interrupt enable
- Get security state
- Security bypass via backdoor key
- Suspend/Resume erase flash sector operation
- Set/Get program flash protection

For devices that feature FlexMemory, the FTFL SSDs allow the user to perform the following additional tasks:

- Partition FlexNVM
- Set/Get data flash protection
- Set/Get EERAM protection
- Set EEE enable
- Write EEPROM

The function that performs the flash initialization, `FlashInit()`, must be invoked first to provide the software driver with:

- Information about the flash
- Data flash and EEPROM size for devices that feature FlexMemory

## 8.4 Configuration parameters

### 8.4.1 SSD configuration structure

The FTFL software drivers use a structure (`FLASH_SSD_CONFIG`) that includes chip-specific static parameters for the FTFL. The type definition of this structure is shown below and can be found in `SSD_FTFL.h`:

```

/*----- Flash SSD Configuration Structure -----*/
typedef struct _ssd_config
{
    UINT32 fttlRegBase;           /* FTFL control register base */
    UINT32 PFlashBlockBase;      /* base address of PFlash block */
    UINT32 PFlashBlockSize;      /* size of PFlash block */
    UINT32 DFlashBlockBase;      /* base address of DFlash block */
    UINT32 DFlashBlockSize;      /* size of DFlash block */
    UINT32 EERAMBlockBase;       /* base address of EERAM block */
    UINT32 EERAMBlockSize;       /* size of EERAM block */
    UINT32 EEEBlockSize;         /* size of EEE block */
    BOOL   DebugEnable;          /* debug mode enable bit */
    PCALLBACK Callback;          /* pointer to callback function */
} FLASH_SSD_CONFIG, *PFLASH_SSD_CONFIG;
    
```

The values of these structure members are defined when the user selects a value for the define `FLASH_DERIVATIVE` in `SSD_FTFL.h`. For devices that feature FlexMemory, parameters `DFlashBlockSize`, and `EFlashBlockSize` are initialized in the `FlashInit()` function based on the values in the D-Flash information row (IFR).

`CallBack` is a function pointer that allows the user to specify a function that is called to service a time-critical event. An example of such an event is a watchdog service routine, but another type of function can be called if the duration of a flash command operation exceeds a certain timeout period.

## 8.4.2 SSD derivative

The value of the define `FLASH_DERIVATIVE` in `SSD_FTFL.h` selects additional defines that assigns corresponding values to the program flash block size, program flash block base, data flash block size, data flash block base, and the FTFL register base.

- On the TWR-K60N512 Tower Module, which has 512 KB of program flash, the appropriate value for `FLASH_DERIVATIVE` is `FTFL_KX_512K_OK_OK`.
- On the TWR-K40X256 Tower Module, which has 256 KB of program flash, 256 KB of FlexNVM and 4 KB of FlexRAM, the appropriate value for `FLASH_DERIVATIVE` is `FTFL_KX_256K_256K_4K`.

## 8.5 Demo code

### CAUTION

A flash memory location must be in the erased state before being programmed. Cumulative programming of bits, or back-to-back program operations without an intervening erase within a flash memory location, is not allowed. Reprogramming of existing 0s to 0 is not allowed as this overstresses the device.

## Demo code

The FTFE SSD download includes example projects that execute from SRAM to illustrate program and erase capability, security-related commands and interrupt configurations on the flash using the TWR-K60N512 Tower Module, featuring 512 KB of program flash, and the TWR-K40X256 Tower Module, featuring FlexMemory and 256 KB of program flash.

These projects can be opened and compiled using the IAR Embedded Workbench IDE.

The structure pointer `flashSSDConfig` of type `FLASH_SSD_CONFIG` is created using defines whose values are dependent on the define `FLASH_DERIVATIVE`.

The following code is excerpted from `NormalDemo.c`, which is included in the FTFE SSD download.

```
FLASH_SSD_CONFIG flashSSDConfig =
{
    FTFC_REG_BASE,           /* FTFC control register base */
    PFLASH_BLOCK_BASE,      /* base address of PFlash block */
    PFLASH_BLOCK_SIZE,      /* size of PFlash block */
    DFLASH_BLOCK_BASE,      /* base address of DFlash block */
    0,                       /* size of DFlash block */
    EERAM_BLOCK_BASE,       /* base address of EERAM block */
    EERAM_BLOCK_SIZE,       /* size of EERAM block */
    0,                       /* size of EEE block */
    DEBUGENABLE,            /* background debug mode enable bit */
    NULL_CALLBACK            /* pointer to callback function */
}
```

Once defined, the structure pointer `flashSSDConfig` is passed to the SSD functions for use during flash operations. The size of D-Flash block and the EEE block are initialized to 0, but will be updated during the `FlashInit()` function, which determines the D-Flash and EEE block sizes by reading the D-Flash IFR.

A return code is passed back to the calling function to indicate the success or failure of the API execution. Upon successful completion, the passing value, `FTFE_OK` assigned to value `0x0`, is returned.

```
/* *****
 * FlashInit() *
 * ***** */
returnCode = pFlashInit(&flashSSDConfig);
if (FTFE_OK != returnCode)
{
    ErrorTrap(returnCode);
}
```

## Erasing a sector

The following example illustrates how to erase a sector in program flash:

```
/* *****
 * FlashEraseSector() *
 * ***** */
/* Erase the last sector of PFLASH */
size = FTFE_SECTOR_SIZE;
destination = PFLASH_BLOCK_BASE + PFLASH_BLOCK_SIZE - size;
returnCode = pFlashEraseSector(&flashSSDConfig, destination, size, \
    pFlashCommandSequence);
```

```

if (FTFL_OK != returnCode)
{
    ErrorTrap(returnCode);
}

```

On Kinetis, a sector is defined as 2 KB (0x800).

- On the TWR-K60N512 Tower Module, which has 512 KB of program flash with address 0x0000\_0000–0x0007\_FFFF, the above example will erase the flash sector in the address range 0x0007\_F800–0x0007\_FFFF.
- On the TWR-K40X256 Tower Module, which has 256 KB of program flash with address 0x0000\_0000–0x0003\_FFFF, the above example will erase the flash sector in address range 0x0003\_F800—0x0003\_FFFF.

### **Performing a program operation**

The following example illustrates how to perform a program operation using the Program Section command. It assumes that an erase operation has already been performed on the area to be programmed.

```

/*****
 * FlashProgramSection() *
 *****/
/* Write some values to EERAM */
for (i=0;i<0x10;i+=4)
{
    WRITE32(flashSSDConfig.EERAMBlockBase + i,0x11223344);
}
/* Program the values to PFLASH */
phraseNumber = 0x2;
destination = PFLASH_BLOCK_BASE + PBLOCK_SIZE - phraseNumber*FTFL_PHRASE_SIZE;
returnCode = pFlashProgramSection(&flashSSDConfig, destination, \
phraseNumber, pFlashCommandSequence);
if (FTFL_OK != returnCode)
{
    ErrorTrap(returnCode);
}

```

The Program Section command programs the data stored in the section program buffer to previously erased locations in the flash memory using an embedded algorithm. The desired data to be programmed is preloaded into the section program buffer by writing to the programming acceleration RAM (on devices with program flash only) or FlexRAM (on devices with FlexMemory) when it is configured to function as traditional RAM.

The above-mentioned example:

1. Writes the 32-bit value 0x11223344 four times successively into addresses 0x1400\_0000–0x1400\_000F.
2. Issues the Program Section command, which loads the section program buffer with values stored in 0x1400\_0000–0x1400\_000F and programs them into the last 16 bytes of program flash with address 0x0003\_FFF0–0x0003\_FFFF.

### **FlexNVM partitioning for devices with FlexMemory**

For devices with FlexMemory, the following example illustrates how to configure the FlexRAM for 2048 bytes of EEPROM and partition the FlexNVM for 128 KB of D-Flash and 128 KB of E-Flash (EEPROM backup space):

```

/*****
*
*                               DEFlashPartition()
*                               *****/
/*****/
EEDataSizeCode = 0x03; // set EEPROM size for 2048 bytes
DEPartitionCode = 0x05; // set FlexNVM for 128 KB of D-Flash, 128 KB for EE backup
returnCode = pDEFlashPartition(&flashSSDConfig, \
                               EEDataSizeCode, \
                               DEPartitionCode, \
                               pFlashCommandSequence);

if (FTFL_OK != returnCode)
{
    ErrorTrap(returnCode);
}

/* Call FlashInit again to get the new Flash configuration */
returnCode = pFlashInit(&flashSSDConfig);
if (FTFL_OK != returnCode)
{
    ErrorTrap(returnCode);
}

```

Additional examples can be found in Normal.c, and more detailed descriptions of each SSD API can be found in the FTFL SSD User’s Manual.

## 8.6 Additional resources

In addition to the Flash Memory Module chapter of the Kinetis Reference Manual, related information regarding the FTFL can be found in the following documents on <http://www.freescale.com> :

- Standard Software Driver for FTFL User’s Manual (included in FTFL SSD download)
- AN4282: Using the Kinetis Family Enhanced EEPROM Functionality.



# Chapter 9

## Using the FlexMemory

### 9.1 Using the FlexNVM

#### 9.1.1 Overview

This quick start guide demonstrates how to configure devices that offer the FlexMemory.

##### 9.1.1.1 Introduction

The flash memory module (FTFL) includes several accessible memory regions depending on the device configuration.

- Program flash—Non-volatile flash memory that can store program code and data
- FlexNVM—Non-volatile flash memory that can store program code, store data, and backup EEPROM data
- FlexRAM—Byte-writeable RAM memory that can be used as traditional RAM or as high-endurance EEPROM storage.

Program flash only devices have two blocks of flash with 2 KB sectors and offer swap capability. FlexMemory enabled devices have one block of program flash with 2 KB sectors, one block of FlexNVM with 2 KB sectors, and one block of FlexRAM, but do not offer swap capability.

##### 9.1.1.2 Features

By default there is no need for the user to configure the FTFL. The configuration default allows for the flash memory controller (FMC) to accelerate flash transfers. For FlexMemory enabled devices, FlexNVM is configured as program/data flash and the

FlexRAM is configured as a general purpose RAM. Security is disabled, and because the flash is in an erased state, the program flash, data flash, and EEPROM protections are disabled so the regions can be programmed or erased.

## 9.1.2 Configuration examples

The user can configure FlexMemory enabled devices as either:

- FlexNVM as data flash and FlexRAM as traditional RAM
- FlexNVM as EEPROM flash records to support the built-in EEPROM feature and FlexRAM as EEPROM
- Or a combination of both

### 9.1.2.1 Basic data flash

In this particular configuration, the FlexNVM can be used as non-volatile flash memory that can execute program code or store data. The FlexRAM can be used as traditional RAM. This is the default configuration prior to execution of the “Program Partition Command”.

#### 9.1.2.1.1 Code example and explanation

This is the default configuration for devices with FlexMemory. There is no need for partitioning the device in this implementation.

### 9.1.2.2 EEPROM flash records

In this particular configuration the FlexNVM is used exclusively for EEPROM backup space. To configure the part the user must use the Flash Common Command Object (FCCOB) registers to pass the “Program Partition Command” and associated parameters to the memory controller in the FTL module. The FCCOB requirements for execution of this command are below:

**Table 9-1. Program partition command FCCOB requirements**

FCCOB Number	FCCOB Contents [7:0]
0	0x80 (PGMART)
1	Not used
2	Not used
3	Not used

*Table continues on the next page...*

**Table 9-1. Program partition command FCCOB requirements (continued)**

FCCOB Number	FCCOB Contents [7:0]
4	EEPROM data size code
5	FlexNVM partition code

### 9.1.2.2.1 Code Example and Explanation

The following example uses a device with 256 KB of FlexNVM and 4 KB of FlexRAM.

This example assumes the part is erased and that the flash memory clock gate control is enabled in the system integration module (SIM). The default state in the SIM is flash memory clock enabled.

For a complete list of EEPROM data size codes and FlexNVM Partition codes, please see the device-specific reference manual.

In this example, the FlexNVM is configured to use all 256 KB of available memory as EEPROM backup memory. The available 4 KB of FlexRAM are configured as EEPROM. When configuring the FlexRAM for EEPROM 2 subsystems are created and any FlexRAM not configured as EEPROM is unusable. The EEPROM data size code being used is 0x32 which selects a size of subsystem A = subsystem B = 2 KB. The FlexNVM partition code used is 0x08, representing the size of our data partition as 0 KB and the size of the EEPROM backup memory as 256 KB. This creates 2 EEPROM subsystems 2 KB in size with each subsystem being backed up by 128 KB of EEPROM backup memory.

#### Example Code:

```

/* Write the FCCOB registers */
FTFL_FCCOB0 = FTFL_FCCOB0_CCOBn(0x80); // Selects the PGMPART command
FTFL_FCCOB1 = 0x00;
FTFL_FCCOB2 = 0x00;
FTFL_FCCOB3 = 0x00;
FTFL_FCCOB4 = 0x32; // Subsystem A and B are both 2 KB
FTFL_FCCOB5 = 0x08; // Data flash size = 0 KB
// EEPROM backup size = 256 KB
FTFL_FSTAT = FTFL_FSTAT_CCIF_MASK; // Launch command sequence

while(!(FTFL_FSTAT & FTFL_FSTAT_CCIF_MASK)) // Wait for command completion
    
```

### 9.1.2.3 Combination

In this configuration the FlexNVM is partitioned to use part of the available memory as data flash and part as EEPROM backup space. The FlexRAM partitioned for EEPROM can range from a minimum of 32 bytes to the maximum size of FlexRAM, 0 bytes selects a configuration with no EEPROM. The size of the EEPROM backup space must be at least 16 KB in size.

#### 9.1.2.3.1 Code example and explanation

The following example uses a device with 256 KB of FlexNVM and 4 KB of FlexRAM.

This example assumes the part is erased and that the flash memory clock gate control is enabled in the system integration module (SIM). The default state in the SIM is flash memory clock enabled.

In this example, the EEPROM data size code being used is 0x32 which selects a size of subsystem A = subsystem B = 2 KB. The FlexNVM partition code use is 0x05, representing the size of our data partition as 128 KB and the size of the EEPROM backup memory as 128 KB. The system created has 128 KB of program/data flash and two 2 KB EEPROM subsystems each backed up by 64 KB of EEPROM backup memory.

Example Code:

```

/* Write the FCCOB registers */
FTFL_FCCOB0 = FTFL_FCCOB0_CC0Bn(0x80); // Selects the PGMPART command
FTFL_FCCOB1 = 0x00;
FTFL_FCCOB2 = 0x00;
FTFL_FCCOB3 = 0x00;
FTFL_FCCOB4 = 0x32; // Subsystem A and B are both 2 KB
FTFL_FCCOB5 = 0x05; // Data flash size = 128 KB
// EEPROM backup size = 128 KB
FTFL_FSTAT = FTFL_FSTAT_CCIF_MASK; // Launch command sequence

while(!(FTFL_FSTAT & FTFL_FSTAT_CCIF_MASK)) // Wait for command completion

```

### 9.1.3 Endurance

While different partitions of the FlexNVM are available, the intention is that a single choice for the FlexNVM Partition Code and EEPROM Data Set Size will be used throughout the entire lifetime of a given application. The FlexNVM partition choices affect the endurance and data retention characteristics of the device.

The bytes not assigned to data flash via the FlexNVM Partition Code are used by the FTFL to obtain an effective endurance increase for the EEPROM data. The built-in EEPROM record management system raises the number of program/erase cycles that can be attained prior to device wear-out by cycling the EEPROM data through a larger EEPROM NVM storage space.

The endurance factor of a subsystem can be calculated for a partitioned device using the formula:

$$\text{Endurance\_Subsystem} = ((E\text{-Flash} - 2 * EEESPLIT * EEESIZE) / (EEESPLIT * EEESIZE)) * \text{Record\_Efficiency} * \text{Endurance\_Factor}$$

Where:

Endurance\_Subsystem = Maximum writes to EERAM for a given subsystem

E-Flash = allocated EEPROM backup for each subsystem (min 16 KB, max 128 KB)

EEESPLIT = Split factor for subsystem (A/B=0.5/0.5 or 0.25/0.75 or 0.125/0.875)

EEESIZE = allocated RAM for EEE (min 32 bytes, max 4 KB)

Record\_Efficiency = 0.5 for 16-bit and 32-bit writes, 0.25 for 8-bit writes

Endurance\_Factor = 10000 native cycles

Example 1:

A Kinetis device configured as in example 2 with 2 subsystems of 2 KB of EERAM backed up by 128 KB of E-Flash, provides 310,000 cycles with 16-bit or 32-bit writes for each subsystem.

$$\text{Endurance\_subsystem} = ((E\text{-Flash} - 2 * EEESPLIT * EEESIZE) / (EEESPLIT * EEESIZE)) * \text{Record\_Efficiency} * \text{Endurance\_Factor}$$

$$\text{Endurance\_subsystem} = ((128 \text{ KB} - 2 * (.5) * (4 \text{ KB})) / (.5 * (4 \text{ KB}))) * .5 * 10,000$$

$$\text{Endurance\_subsystem} = ((124 \text{ KB}) / 2 \text{ KB}) * 5000$$

$$\text{Endurance\_subsystem} = (62 * 5000)$$

$$\text{Endurance\_subsystem} = 310,000$$

Example 2:

A Kinetis device configured as in example 3 with a subsystem of 2 KB of EE backed up by 64 KB of E-Flash, provides 150,000 cycles with 16-bit or 32-bit writes.

$$\text{Endurance\_subsystem} = ((E\text{-Flash} - 2 * EEESPLIT * EEESIZE) / (EEESPLIT * EEESIZE)) * \text{Record\_Efficiency} * \text{Endurance\_Factor}$$

**using the FlexNVM**

$$\text{Endurance\_subsystem} = ((64 \text{ KB} - 2(.5)(4 \text{ KB})) / (.5(4 \text{ KB})) * .5 * 10,000$$

$$\text{Endurance\_subsystem} = ((60 \text{ KB}) / 2 \text{ KB}) * 5000$$

$$\text{Endurance\_subsystem} = (30 * 5000)$$

$$\text{Endurance\_subsystem} = 150000$$

# Chapter 10

## EzPort Module

### 10.1 Using the EzPort module

#### 10.1.1 Overview

This section demonstrates how to use the Ezport module for in-system programming (ISP) of Kinetis on-chip flash memory.

##### 10.1.1.1 Introduction

The Ezport module provides a serial programming interface that allows reading, erasing, and programming Kinetis on-chip flash memory in a compatible format with many stand-alone flash memory chips. Kinetis has two functional modes – single-chip mode (default) and Ezport mode (for ISP programming). The mode entered depends on both the EZPCS state during reset and the Ezport disable bit in FOPT register as shown in Table 1.

**Table 10-1. Mode selection during reset**

External conditions during reset	Mode entered
/EZPCS = 1	Single-chip mode
/EZPCS = 0 && FOPT[EZPORT_DIS] = 0	Single-chip mode
/EZPCS = 0 && FOPT[EZPORT_DIS] = 1	Ezport mode

##### 10.1.1.2 Features

The Ezport module has these features:

- Implements a subset of SPI format, supporting either of the following two modes: CPOL=0, CPHA=0 or CPOL=1, CPHA=1

- Able to read, erase, and program on-chip flash memory
- Able to reset Kinetis, allowing it to boot from flash memory after firmware updated

### 10.1.1.3 Command description

When in Ezport mode, Kinetis operates as a SPI slave and receives commands from an external SPI master and translates those commands to flash memory accesses. [Table 10-2](#) is a complete list of commands supported by the Ezport module.

**Table 10-2. Ezport commands**

Command	Description	Code	Address bytes	Dummy byte	Data bytes
WREN	Write enable	0x06	0	0	0
WRDI	Write disable	0x04	0	0	0
RDSR	Read status register	0x05	0	0	1
READ	Flash read data	0x03	3	0	1+
FAST_READ	Flash read data at high speed	0x0b	3	1	1+
SP	Flash sector program	0x02	3	0	8–section
SE	Flash sector erase	0xd8	3	0	0
BE	Flash bulk erase	0xc7	0	0	0
RESET	Reset chip	0xb9	0	0	0
WRFCCOB	Write FCCOB registers	0xba	0	0	12
FAST_RDFFCOB	Read FCCOB registers at high speed	0xbb	0	1	1–12
WRFLEXRAM	Write FlexRAM	0xbc	3	0	4
RDFFLEXRAM	Read FlexRAM	0xbd	3	0	1+
FAST_RDFFLEXRAM	Read FlexRAM at high speed	0xbe	3	1	1+

#### NOTE

The ‘1+’ in the data bytes column means the SPI master could read data continuously from the Ezport module. Starting from one byte, the reading address will increment automatically while reading. In this way, the whole flash memory could be read with one single command.

#### 10.1.1.3.1 Command format

As shown in [Table 10-2](#), each command the Ezport module recognizes should start with a command byte that is mandatory and be followed by an optional address byte, dummy byte, or data byte. This is shown below. The bracketed items are optional.

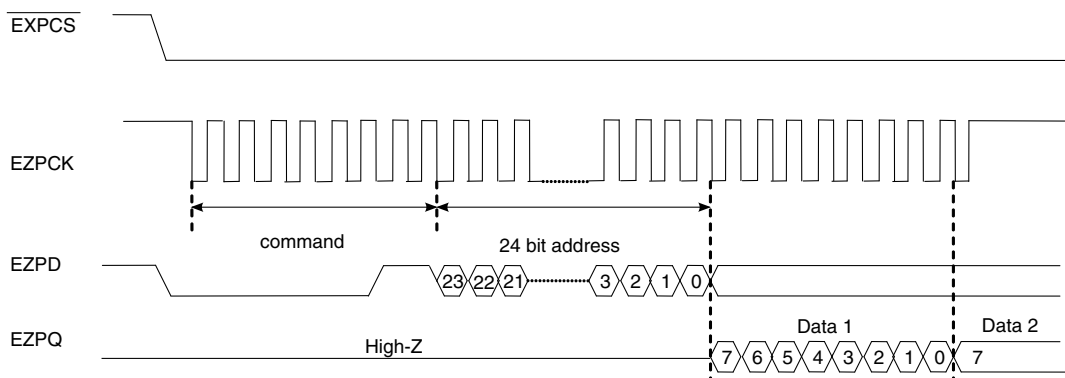
Command [address] [dummy byte] [read or write data byte]



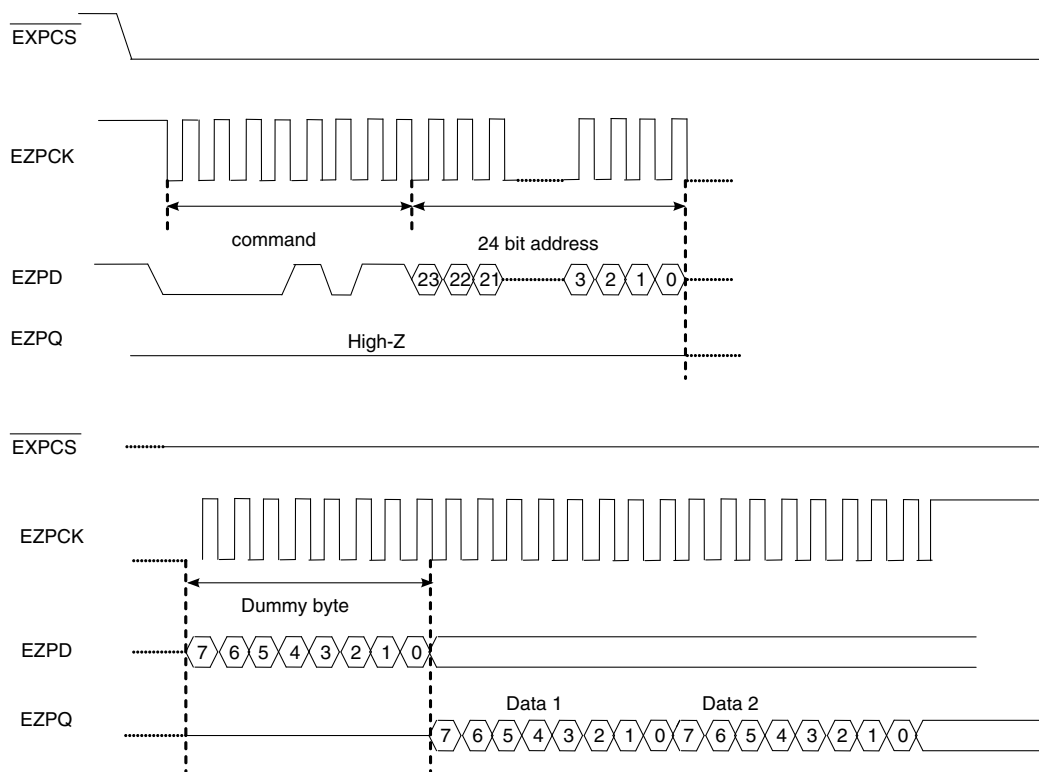
For example, some commands like WREN and WRDI need to send only the command byte, while the other commands may have optional items. The dummy byte is used to differentiate normal speed and fast speed read operations. For fast speed operations, the external master should shift in one dummy byte before valid data is shifted out. FAST\_READ and FAST\_RDFCCOB commands are examples that need to send the dummy byte.

### 10.1.1.3.2 Command timing

Figure 10-1 and Figure 10-2 are the command timing for the READ and FAST READ commands. Here it assumes CPOL=1 and CPHA=1.



**Figure 10-1. READ command timing**



**Figure 10-2. FAST READ command timing**

### 10.1.1.4 Status register

The Ezport module provides a status register to reflect some reset out flash status and also write progress flags. The FS, FLEXPAM, and BEDIS bits reflect flash security, FlexRAM configurations, and whether bulk erase is supported under secure mode, respectively. The status register can be read with the RDSR command to check reset out status and whether a write command has completed.

**Table 10-3. Ezport status register**

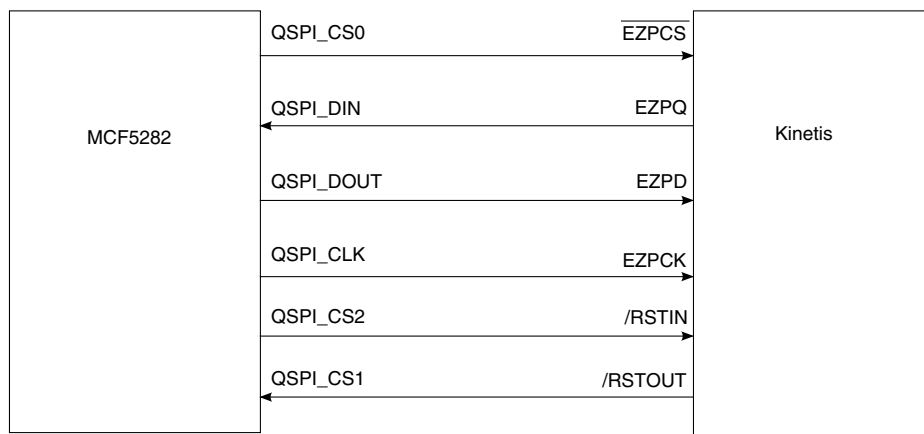
7	6	5	4	3	2	1	0
FS	WEF			FLEXPAM	BEDIS	WEN	WIP

## 10.1.2 Configuration examples

### 10.1.2.1 Hardware connections

Any SPI master could be used to connect to the Ezport module for flash programming. Either QSPI or DSPI module on existing Coldfire devices could be used in this case.

Figure 10-3 shows the connection between the QSPI module on MCF5282 and Kinetis. Here QSPI\_CS1 and QSPI\_CS2 are used as GPIO to control the timing between manual reset of Kinetis and sampling of /EZPCS.



**Figure 10-3. Connection between MCF5282 and Kinetis**

Example code for set\_to\_ezp\_mode:

```

// Configure as GPIO pins to monitor RSTOUT pins and assert RCON
MCF5282_GPIO_PQSPAR = 0x0; // GPIO function
MCF5282_GPIO_DDRQS = 0x08; // CS0 as output
MCF5282_GPIO_PORTQS = 0x08; // Drive CS0 HIGH

/* set up wrap register for a single 8-bit transfer */
MCF5282_QSPI_QWR = MCF5282_QSPI_QWR_CSIV;
/* Enable QSPI Pins */
MCF5282_GPIO_PQSPAR |= 0x7F;

// Configure as GPIO pins to monitor RSTOUT pins and assert RCON
MCF5282_GPIO_PQSPAR = 0x0; // GPIO function
MCF5282_GPIO_DDRQS = 0x28; // CS0 and CS2 as output
MCF5282_GPIO_PORTQS = 0x28; // Drive RCON HIGH & RSTIN HIGH

MCF5282_GPIO_PORTQS = 0x08; // Drive RCON HIGH & RSTIN LOW

while ((data_in & 0x10))//wait till RSTOUT LOW
{
data_in = MCF5282_GPIO_PORTQSP;
}

MCF5282_GPIO_PORTQS = 0x20; // Drive RCON LOW & RSTIN HIGH

while (!(data_in & 0x10))//wait till RSTOUT HIGH
{
data_in = MCF5282_GPIO_PORTQSP;
}

//Exiting reset and entering EZPORT mode
MCF5282_GPIO_PORTQS = 0x28; // Drive RCON HIGH again
    
```

### 10.1.2.2 Write enable and disable

Before issuing a write command (SP, SE, BE, WRFCCOB, or WRFLEXRAM) in the Ezport module, first enable the WEN bit in the status register with the WREN command. After those commands are completed, the WEN bit will automatically clear so next time you issue another write command, the WREN command should be issued again.

Example code:

```
//ezp_wren_cmd
ezp_write_byte(EZPORT_WREN);
while (!(MCF5282_QSPI_QIR & MCF5282_QSPI_QIR_SPIF));
//ezp_wrdi_cmd
ezp_write_byte(EZPORT_WRDI);
while (!(MCF5282_QSPI_QIR & MCF5282_QSPI_QIR_SPIF));
```

#### NOTE

The code above assumes lower level byte sending with QSPI has been implemented with `ezp_write_byte`. You could easily implement this and port it to other SPI modules like DSPI.

### 10.1.2.3 Sector erase and program

The SP command programs up to one section of flash memory that has previously been erased by an SE command. The starting address of both commands should be 64-bit aligned (three LSBs being zero). The Ezport module buffer will receive program data in FlexRAM/programming acceleration RAM before executing the SP command, so the number of bytes to be programmed should be a multiple of eight and up to one section size at a time.

Example code:

```
set_to_ezp_mode();
ezp_spi_init(0,6,0,0); /* max permitted clock speed for read */

// 1. Boot-up from reset with EZPORT enabled.
ezp_wren_cmd();

// 2. Verify WEN flag is set.
sr = ezp_rdsr_cmd();
if (sr != EP_SR_WEN)
{
    printf("Failure in SR value: WEN not set\n");
    error_count++;
}

//3. Sector erase
ezp_se_cmd(sector_addr);
//Loop till command has completed
sr = EP_SR_WIP;
// Poll SR until WIP goes low
while ((sr & EP_SR_WIP) == EP_SR_WIP)
```

```

sr = ezp_rdsr_cmd();

ezp_wren_cmd();
//4. Sector program
ezp_pp_cmd(sector_addr,64, pg_buffer);
//Loop till command has completed
sr = EP_SR_WIP;
// Poll SR_ until WIP goes low
while ((sr & EP_SR_WIP) == EP_SR_WIP)
sr = ezp_rdsr_cmd();

```

### 10.1.2.4 Write and read FCCOB registers

The flash command object registers consist of a group of 12 registers, each 1 byte wide. These are used for sending command codes and data to the memory controller.

FCCOB number	Command parameter contents
0	FCMD (code which defines the FTFL command)
1~3	Flash address [23:0]
4~B	Data byte [0:7]

The WRFCFOB command allows you to write to the flash common command object registers via the Ezport module and execute any command allowed by flash. After receiving 12 bytes of data, Ezport writes the data to FCCOB registers and then automatically launches the command within flash.

While the FAST\_RDFCFOB command allows user to read the contents of flash common command object registers.

#### NOTE

If more than or fewer than 12 bytes of data are received by the WRFCFOB command, the result will be unexpected. Also because in Ezport mode the flash is in an NVM special mode, commands that can be executed under secure mode are restricted.

Example code:

```

ezp_wren_cmd();
fccob[0] = 0x06;//program longword command
fccob[1] = 0x00;//flash address is 0x00040c
fccob[2] = 0x04;
fccob[3] = 0x0c;
fccob[4] = 0xff;//program data is 0xfffffffffe
fccob[5] = 0xff;
fccob[6] = 0xff;
fccob[7] = 0xfe;
ezp_wrfcfeb_cmd(fccob);
//Loop until command has completed
sr = EP_SR_WIP;

```

## using the EzPort module

```
// Poll SR until WIP goes low
while ((sr & EP_SR_WIP) == EP_SR_WIP)
sr = ezp_rdsr_cmd();
```

### 10.1.2.5 Write and read FlexRAM

The WRFLEXRAM command allows you to write four bytes of data to the FlexRAM. If the FlexRAM is configured for EEPROM configuration, the WRFLEXRAM command can effectively be used to create data records in EEPROM-flash memory. The address of the FlexRAM location should be 32-bit aligned. If more than or fewer than four bytes of data is received, this command has unexpected results.

RDFLEXRAM command returns data from FlexRAM. It also has a fast speed version command FAST\_RDFLEXRAM, which includes the dummy byte and runs at up to half of internal system clock frequency.

Example code:

```
ezp_wren_cmd();
ezp_wrflexram_cmd(address, buffer);
//Loop till command has completed
sr = EP_SR_WIP;
// Poll SR until WIP goes low
while ((sr & EP_SR_WIP) == EP_SR_WIP)
sr = ezp_rdsr_cmd();
```

# Chapter 11

## Flexbus Module

### 11.1 Using the Flexbus module

#### 11.1.1 Overview

A multi-function external bus interface called the FlexBus interface controller is provided with a basic functionality of interfacing to slave-only devices. It can be directly connected to the following asynchronous or synchronous devices with little or no additional circuitry, external ROMs, flash memories, programmable logic devices, or other simple target (slave) devices.

##### 11.1.1.1 Introduction

The FlexBus has up to six independent user-programmable chip-select signals (FB\_CS[5:0]) 8-bit, 16-bit, and 32-bit port sizes with configuration for multiplexed or non-multiplexed address and data buses. Size configurable transfers (8-bit, 16-bit, 32-bit).

Programmable burst- and burst-inhibited, address-setup time with respect to the assertion of chip select, address-hold time with respect to the negation of chip select and transfer direction.

Extended address latch enables option help with glueless connections to synchronous and asynchronous memory devices.

##### 11.1.1.2 Features

###### 11.1.1.2.1 Signal descriptions

FB\_A[31:0] — In a non-multiplexed configuration, this is the address bus.

FB\_AD[31:0] — In a non-multiplexed mode, this is the data bus. In a multiplexed mode, the FB\_AD[31:0] bus carries the address and the data. The number of byte lanes carrying the data is determined by the port size.

FB\_CS [5:0] — The chip-select signal indicates what device is selected. A particular chip-select asserts when the transfer address is within the device's address space. The next two tables show how the number of chip selects available depend on the pin configuration.

$\overline{\text{FB\_BE/BWE}}$ [3:0] — When driven low, these outputs indicate the data latched or driven onto a specific lane of the data bus.

$\overline{\text{FB\_OE}}$  — The output enable signal is sent to the interfacing memory to enable a read transfer.  $\overline{\text{FB\_OE}}$  is asserted only during a read access when a chip select matches the current address decode.

FB\_R/ $\overline{\text{W}}$  — The processor drives this signal to indicate the current bus operation, 1 during read bus cycles and 0 during write bus cycles.

FB\_ALE — The assertion of this signal indicates that the device has started a bus transaction and the address and attributes are valid.

FB\_TSIZ[1:0] — These signals along with FB\_TBST indicate the data transfer size of the current bus operation.

$\overline{\text{FB\_TBST}}$  — Transfer burst indicates that a burst transfer is in progress and driven by the device.

$\overline{\text{FB\_TA}}$  — This input signal indicates that the external data transfer is complete. When the processor recognizes  $\overline{\text{FB\_TA}}$  during a read cycle, it latches the data and then terminates the bus cycle.

FB\_CLK — FlexBus clock, the system provides a dedicated clock source to the FlexBus module's external FB\_CLK. Its clock frequency is derived from a divider (SIM\_CLKDIV1[OUTDIV3]) of the MCGOUTCLK.

### 11.1.1.2.2 Address and data bus multiplexing

Figure 11-1 shows the supported combinations of address and data bus widths. The bus sends the address at the first stage (light blue), and the data at the second stage (green).



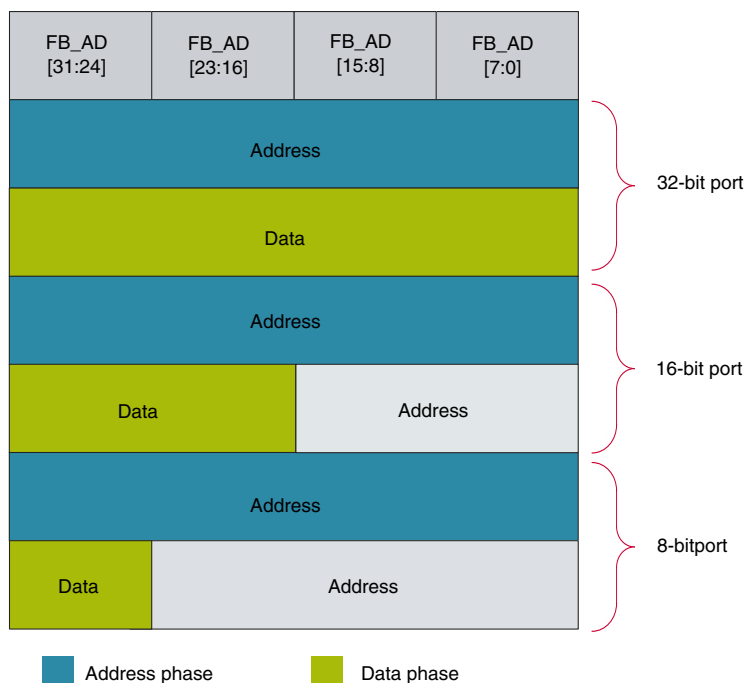


Figure 11-1. FlexBus multiplexed operating modes

### 11.1.1.2.3 Modes of Operation

Table 11-1 and Table 11-2 show the assignment of FlexBus signals available for the Kinetis MCUs, depending on the package. Non-LCD devices are those without a segment LCD peripheral.

Table 11-1. FlexBus signals on non-LCD devices

Package	144-pin	104-pin	100-pin	81-pin	60-pin	64-pin	48-pin	32-pin
<b>Signals</b>	A[29:16] AD[31:0] CS[5:0]	AD[ 31:0] CS[5:0]	AD[31:24, 5 CS	AD[19: 0] 4 CS	AD[19:0] 2 CS	AD[17:0] 2 CS	N/A	N/A
<b>Muxed mode</b>	Up to 32 address Up to 32 data lines = AD[31:0]	Up to 32 address Up to 32 data lines = AD[31:0]	Up to 21 address Up to 16 data lines = AD[15:0]	Up to 20 address Up to 16 data lines = AD[15:0]	Up to 20 address Up to 16 data lines = AD[15:0]	Up to 18 address Up to 16 data lines = AD[15:0]	N/A	N/A
<b>Non-muxed mode</b>	Up to 30 address = A[29:16] + AD[15:0] Up to 16 data lines = AD[31:16]	Up to 24 address = AD[23:0] Up to 8 data lines = AD[31:24] Up to 16 address = AD[15:0] Up to 16 data lines = AD[31:16]	Up to 21 address = AD[20:0] Up to 8 data lines = AD[31:24]	N/A	N/A	N/A	N/A	N/A

**Table 11-2. FlexBus signals on LCD devices**

Package	144 pin	104 pin	100 pin	81 pin	60 pin	64 pin	48 pin	32 pin
<b>Signals</b>	AD[31:0] CS[5:0]	N/A	N/A	N/A	N/A	N/A	N/A	N/A
<b>Muxed mode</b>	Up to 32 address Up to 32 data lines = AD[31:0]	N/A	N/A	N/A	N/A	N/A	N/A	N/A
<b>Non-muxed mode</b>	Up to 24 address = AD[23:0] Up to 8 data lines = AD[31:24] Up to 16 address = AD[15:0] Up to 16 data lines = AD[31:16]	N/A	N/A	N/A	N/A	N/A	N/A	N/A
<b>LCD mode</b>	Up to 16 data lines = AD[15:0] or = AD[31:16]	N/A	N/A	N/A	N/A	N/A	N/A	N/A

#### 11.1.1.2.4 Burst cycles

The device can be programmed to initiate burst cycles if its transfer size exceeds the port size of the selected destination. The initiation of a burst cycle is encoded on the size pins. For burst transfers to smaller port sizes, FB\_TSI[1:0] indicates the size of the entire transfer.

#### 11.1.1.2.5 Data Byte Alignment and Physical Connections

The device aligns data transfers in FlexBus byte lanes with the number of lanes depending on the data port width.

Figure 11-2 shows the byte lanes that external memory connects to, and the sequential transfers of a 32-bit transfer for the supported port sizes when byte lane shift is disabled or enabled.

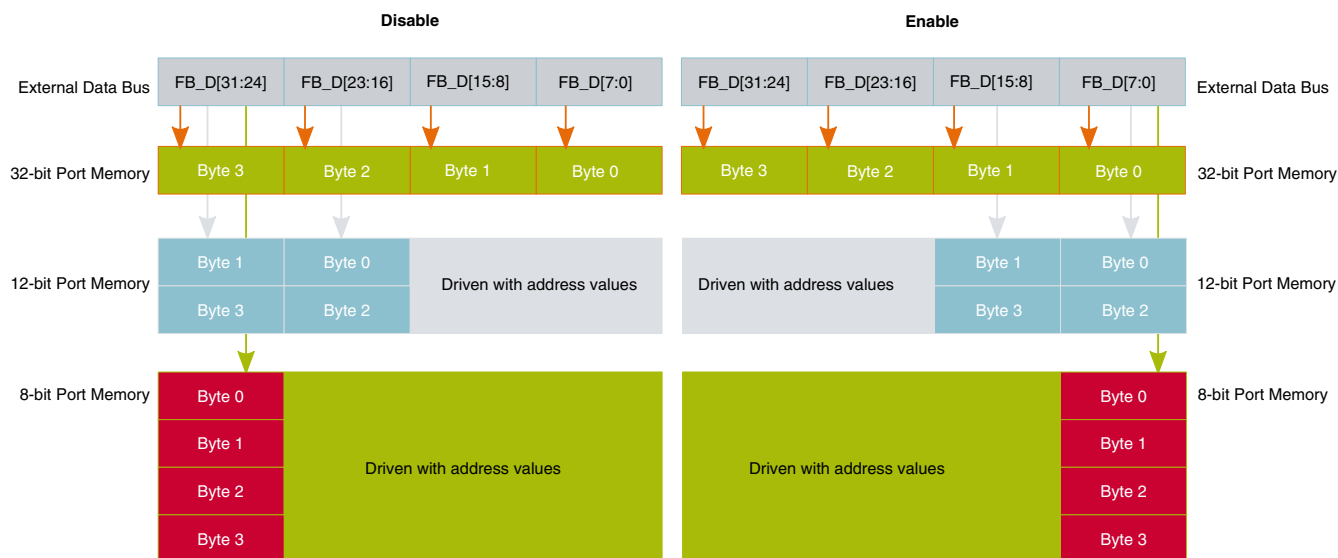


Figure 11-2. Sequential 32-bit transfers, byte lane shift differences

### 11.1.1.2.6 Memory map

Typical memory mapping as shown in Figure 11-3 0x6000\_000 - 0xA000\_0000 is the FlexBus space used for execution, 0xA000\_0000 - 0xE000\_0000 can only be used for data.

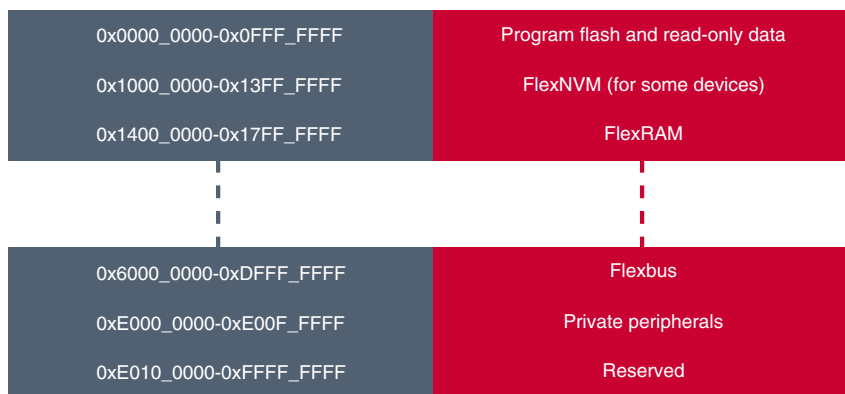


Figure 11-3. FlexBus memory range

### 11.1.1.2.7 Reference clock

Figure 11-4 shows a high-level diagram for the FlexBus reference clock. The maximum FlexBus clock frequency in run mode is up to 50 MHz.

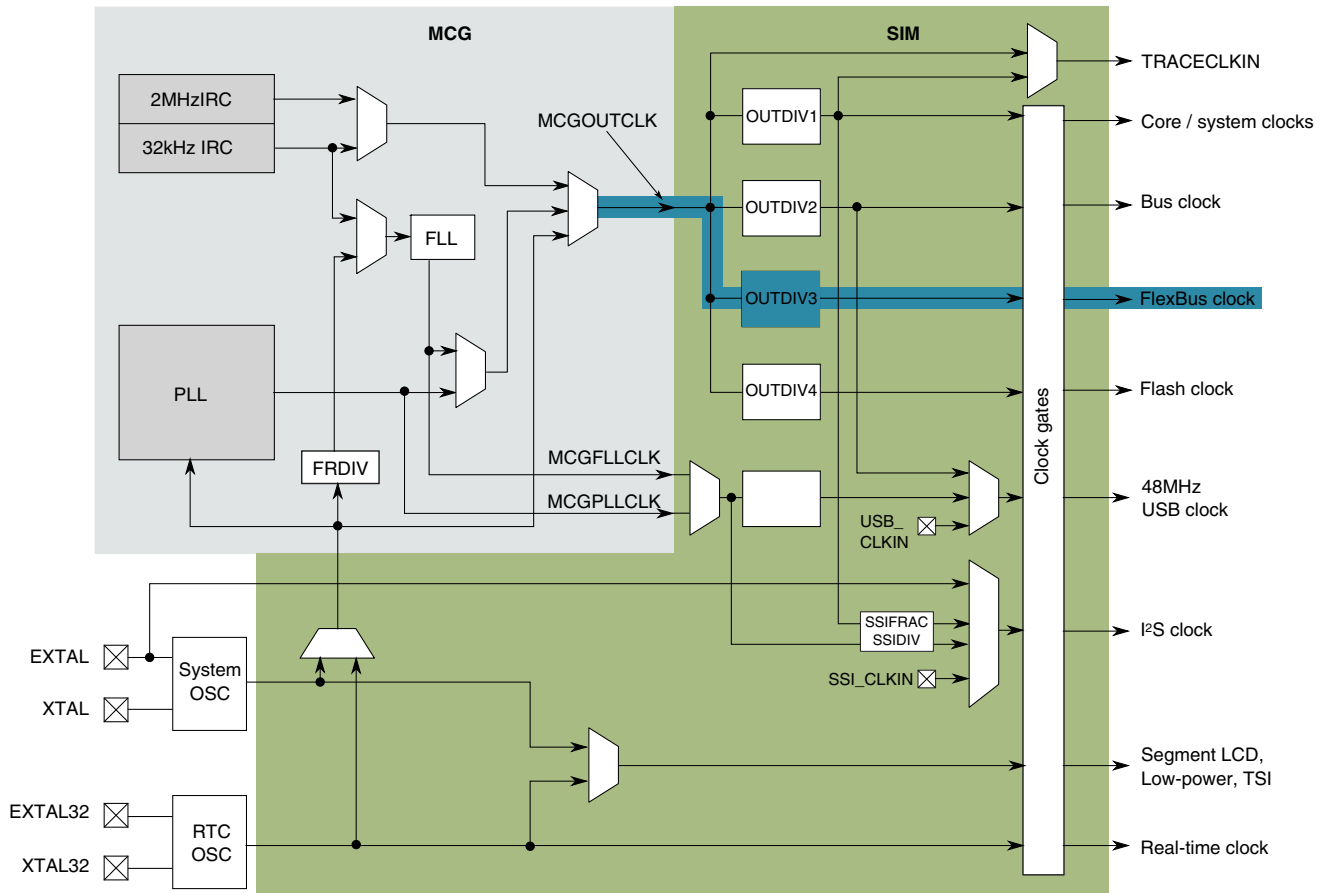


Figure 11-4. Clocking diagram

### 11.1.1.3 Configuration examples

In this example the FlexBus is connected to the MRAM memory of the TWR-MEM board.

#### 11.1.1.3.1 Code example and explanation

Figure 11-4 shows the FlexBus reference clock derived from the MCGOUTCLK. The software needs to configure a stable clock. This example configures 96 MHz of core frequency.

Example code:

```

/* Code Snippet */
int MRAM_START_ADDRESS = 0x60000000;
uint8 wdata8 = 0x00;
uint8 rdata8 = 0x00;
uint16 wdata16 = 0x00;
uint16 rdata16 = 0x00;
uint32 wdata32 = 0x00;

```

```

uint32 rdata32 = 0x00;

/* Set Base address */
FB_CSAR0 = MRAM_START_ADDRESS ;

/* Enable CS signal */
FB_CSMR0 |= FB_CSMR_V_MASK;

FB_CSCR0 |=  FB_CSCR_BLS_MASK    // right justified mode
            |  FB_CSCR_PS(1)     // 8-bit port
            |  FB_CSCR_AA_MASK   // auto-acknowledge
            |  FB_CSCR_ASET(0x1) // assert chip select on second clock edge after address
is asserted
            // | FB_CSCR_WS(0x1) // 1 wait state - may need a wait state depending on the
bus speed
            ;

/* Set base address mask for 512 KB address space */
FB_CSMR0 |= FB_CSMR_BAM(0x7);

/* Set BE0/1 to MRAM */
FB_CSPMCR |= 0x02200000;

/* Reference clock divided by 3 */
SIM_CLKDIV1 &= ~SIM_CLKDIV1_OUTDIV3(0xF);
SIM_CLKDIV1 |= SIM_CLKDIV1_OUTDIV3(0x3);

/* Configure the pins needed to FlexBus Function (Alt 5) */
/* this example uses low drive strength settings */
//address/Data
PORTA_PCR7=PORT_PCR_MUX(5); //fb_ad[18]
PORTA_PCR8=PORT_PCR_MUX(5); //fb_ad[17]
PORTA_PCR9=PORT_PCR_MUX(5); //fb_ad[16]
PORTA_PCR10=PORT_PCR_MUX(5); //fb_ad[15]
PORTA_PCR24=PORT_PCR_MUX(5); //fb_ad[14]
PORTA_PCR25=PORT_PCR_MUX(5); //fb_ad[13]
PORTA_PCR26=PORT_PCR_MUX(5); //fb_ad[12]
PORTA_PCR27=PORT_PCR_MUX(5); //fb_ad[11]
PORTA_PCR28=PORT_PCR_MUX(5); //fb_ad[10]
PORTD_PCR10=PORT_PCR_MUX(5); //fb_ad[9]
PORTD_PCR11=PORT_PCR_MUX(5); //fb_ad[8]
PORTD_PCR12=PORT_PCR_MUX(5); //fb_ad[7]
PORTD_PCR13=PORT_PCR_MUX(5); //fb_ad[6]
PORTD_PCR14=PORT_PCR_MUX(5); //fb_ad[5]
PORTE_PCR8=PORT_PCR_MUX(5); //fb_ad[4]
PORTE_PCR9=PORT_PCR_MUX(5); //fb_ad[3]
PORTE_PCR10=PORT_PCR_MUX(5); //fb_ad[2]
PORTE_PCR11=PORT_PCR_MUX(5); //fb_ad[1]
PORTE_PCR12=PORT_PCR_MUX(5); //fb_ad[0]
//control signals
PORTA_PCR11=PORT_PCR_MUX(5); //fb_oe_b
PORTD_PCR15=PORT_PCR_MUX(5); //fb_rw_b
PORTE_PCR7=PORT_PCR_MUX(5); //fb_cs0_b
PORTE_PCR6=PORT_PCR_MUX(5); //fb_ale

/* 8 bit write */
*(vuint8*)(MRAM_START_ADDRESS + n) = 0xAC; // n=offset
/* 8 bit read */
rdata8=*(vuint8*)(&MRAM_START_ADDRESS + n); // n = offset

/* 16 bit write */
*(vuint16*)(MRAM_START_ADDRESS + n) = 0x1234; // n=offset
/* 16 bit read */
rdata16=*(vuint16*)(&MRAM_START_ADDRESS + n); // n = offset

/* 32 bit write */
*(vuint32*)(MRAM_START_ADDRESS + n) = 0x87654321; // n = offset
/* 32 bit read */

```

```
rdata32=(*(vuint32*)&MRAM_START_ADDRESS + n); // n = offset
```

### 11.1.1.4 Hardware implementation

Eight data lines FB\_D[7:0] and twenty four address lines FB\_A[23:0] from the FlexBus module are connected to the MRAM memory in a non-multiplexed mode.

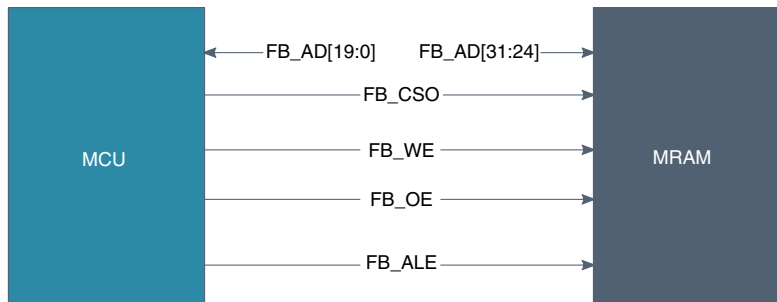


Figure 11-5. FlexBus device external connections

## 11.1.2 PCB design recommendations

### 11.1.2.1 Layout guidelines

Due to the critical timing required while driving external memories, there are a number of considerations that must be taken into account during PCB layout.

- Each group of signals traces must have identical loading and similar routing, in order to maintain timing and signal integrity
- Control and clock signals are routed point-to-point.
- Components could and should be placed as close as possible to the MCU.
- To avoid crosstalk, keep address and command signals separate (that is, a different routing layer) from the data and data strobes.

# Chapter 12

## Universal Asynchronous Receiver and Transmitter (UART) Module

### 12.1 Overview

The UART module on the Kinetis family devices supports asynchronous, full-duplex serial communications with peripheral devices or other CPUs. The UART module has three main modes of operation -- UART, IrDA, and ISO-7816 mode.

The following sections will discuss the features and use of the UART in UART mode. In particular the use of the UART as an RS-232 serial communication port will be described. For full details on the UART module, including all of its features and modes of operation, please refer to the device-specific reference manual.

### 12.2 Features

The feature set available on UARTs can vary from UART to UART. Basic UART functionality is available on all UARTs, but the clock source for the module and the transmit and receive FIFO sizes can vary. The table below lists the UART features that vary based on UART module instantiation.

**Table 12-1. UART instantiations on Kinetis**

UART instance	ISO-7816 supported?	FIFOs	Module clock
UART0	Yes	8 entry TxFIFO, 8 entry RxFIFO	Core Clock
UART1	No	8 entry TxFIFO, 8 entry RxFIFO	Core Clock
UART2 - UARTn	No	No FIFOs (double buffered operation)	Peripheral Clock

**NOTE**

The table above describes the UART instantiations on the Kinetis family devices available as of the writing of this document. As new Kinetis devices become available the UART instantiations could change. Please refer to the "Chip Configuration" chapter of the device-specific reference manual to verify the UART instantiation information for your device.

**12.3 Configuration example**

The following sections give a software example for using a UART as an RS-232 communication port to an 8-N-1 PC terminal. The software is broken up into initialization, transmit, and receive sections. The example uses the UART in a simple polled configuration, but a description is provided to discuss how the UART could be used in interrupt mode or in conjunction with the DMA to help decrease CPU loading.

**12.3.1 UART initialization example**

The initialization code below can be used to configure the UART for 8-N-1 operation (eight data bits, no parity, and one stop bit) with interrupts and hardware flow-control disabled. The parameters passed in to this function are the UART channel to initialize (uartch), the module clock frequency for the UART in kHz (sysclk), and the desired baud rate for communication (baud).

**NOTE**

The UART modules are pinned out in multiple locations, so the initialization function below doesn't know which UART pins to enable. The desired UART pins should be enabled before calling this initialization function.

```
void uart_init (UART_MemMapPtr uartch, int sysclk, int baud)
{
    register uint16 ubd, brfa;
    uint8 temp;

    /* Enable the clock to the selected UART */
    if (uartch == UART0_BASE_PTR)
        SIM_SCGC4 |= SIM_SCGC4_UART0_MASK;
    else
        if (uartch == UART1_BASE_PTR)
            SIM_SCGC4 |= SIM_SCGC4_UART1_MASK;
        else
            if (uartch == UART2_BASE_PTR)
                SIM_SCGC4 |= SIM_SCGC4_UART2_MASK;
            else
                if (uartch == UART3_BASE_PTR)
                    SIM_SCGC4 |= SIM_SCGC4_UART3_MASK;
```



```

else
    if(uartch == UART4_BASE_PTR)
        SIM_SCGC1 |= SIM_SCGC1_UART4_MASK;
    else
        SIM_SCGC1 |= SIM_SCGC1_UART5_MASK;

/* Make sure that the transmitter and receiver are disabled while we
 * change settings.
 */
UART_C2_REG(uartch) &= ~(UART_C2_TE_MASK | UART_C2_RE_MASK );

/* Configure the UART for 8-bit mode, no parity */
/* We need all default settings, so entire register is cleared */
UART_C1_REG(uartch) = 0;

/* Calculate baud settings */
ubd = (uint16)((sysclk*1000)/(baud * 16));

/* Save off the current value of the UARTx_BDH except for the SBR */
temp = UART_BDH_REG(uartch) & ~(UART_BDH_SBR(0x1F));

UART_BDH_REG(uartch) = temp | UART_BDH_SBR(((ubd & 0x1F00) >> 8));
UART_BDL_REG(uartch) = (uint8)(ubd & UART_BDL_SBR_MASK);

/* Determine if a fractional divider is needed to get closer to the baud rate */
brfa = (((sysclk*32000)/(baud * 16)) - (ubd * 32));

/* Save off the current value of the UARTx_C4 register except for the BRFA */
temp = UART_C4_REG(uartch) & ~(UART_C4_BRFA(0x1F));

UART_C4_REG(uartch) = temp | UART_C4_BRFA(brfa);

/* Enable receiver and transmitter */
UART_C2_REG(uartch) |= (UART_C2_TE_MASK | UART_C2_RE_MASK );
}

```

The initialization above can be simplified to the following steps:

1. Enable the UART pins by configuring the appropriate PORTx\_PCRn registers (not shown in the code example).
2. Enable the clock to the UART module.
3. Disable the transmitter and receiver. This step is included to make sure that the UART is not active while it is being configured. This step is not needed if the `uart_init` function is always called while the UART is already in a disabled state (the UART is disabled after reset by default).
4. Configure the UART control registers for the desired format. For 8-N-1 operation no UART registers actually need to be configured (the default register settings configure the UART for 8-N-1 operation).
5. Calculate the baud rate dividers. This includes calculating the 13-bit whole number baud rate divider, the SBR field stored in the UARTx\_BDH and UARTx\_BDL registers, and the 5-bit fractional baud rate divider, the UARTx\_C4[BRFA] field.
6. Enable the transmitter and receiver to start the UART.

## 12.3.2 UART receive example

The function below shows an implementation for a simple polled UART receive function. The parameter passed in to this function is the UART channel to receive a character (uartch). The function returns the character that is received.

```
char uart_getchar (UART_MemMapPtr channel)
{
    /* Wait until character has been received */
    while (!(UART_S1_REG(channel) & UART_S1_RDRF_MASK));

    /* Return the 8-bit data from the receiver */
    return UART_D_REG(channel);
}
```

Since this is a polled implementation, the function will wait until a character is received. If no character is received, then the code will remain in the while loop indefinitely. In order to avoid code getting "stuck" when no traffic is being received, it is a good idea to include a function to test if a character is present or not. The `uart_getchar_present` function can be called prior to calling the `uart_getchar` function in cases where UART receive traffic is not guaranteed or required before moving on with program execution.

```
int uart_getchar_present (UART_MemMapPtr channel)
{
    return (UART_S1_REG(channel) & UART_S1_RDRF_MASK);
}
```

## 12.3.3 UART transmit example

The function below shows an implementation for a simple polled UART transmit function. The parameters passed in to this function are the UART channel that will be used to transmit (uartch) and the character to be sent (ch).

```
void uart_putchar (UART_MemMapPtr channel, char ch)
{
    /* Wait until space is available in the FIFO */
    while (!(UART_S1_REG(channel) & UART_S1_TDRE_MASK));

    /* Send the character */
    UART_D_REG(channel) = (uint8)ch;
}
```

## 12.3.4 UART configuration for interrupts or DMA requests

The examples included here poll UART status flags to determine when receive data is available or when transmit data can be written into the FIFO. This approach is the most CPU intensive, but it is often the most practical approach when handling small messages. As message sizes increase it might be useful to use interrupts or the DMA to decrease the

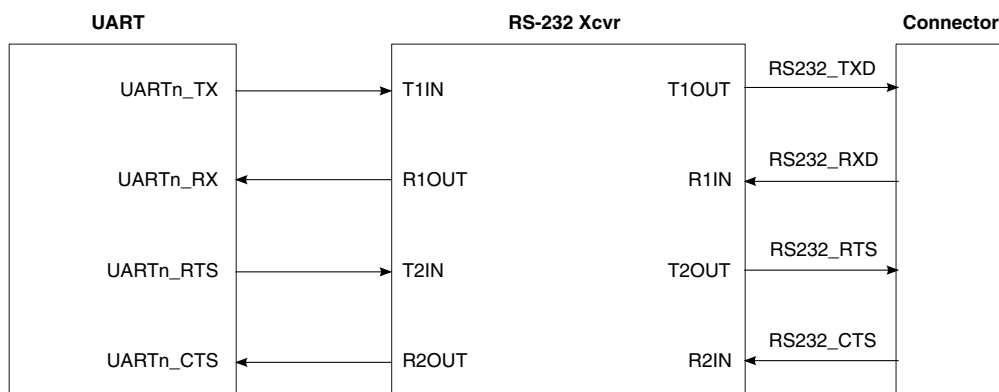
CPU loading. However, the overhead required to set up the interrupts or DMA should be taken into account. If the additional overhead outweighs the reduction in CPU loading, then polling is the best approach.

Using the UART interrupts to signal the CPU that data can be read from or written to the UART will help to decrease the CPU loading. The UART has a number of status and error interrupt flags that can be used, but for typical receive and transmit operations the receive data register full flag (UARTx\_S1[RDRF]) and transmit data register empty flag (UARTx\_S1[TDRE]) would be enabled using the UARTx\_C2[TIE, RIE] bits. The names of these flags are a bit misleading, since they don't always indicate a full or empty condition. For UARTs that include a FIFO, the full or empty condition is determined based on the amount of data in the FIFO compared to a programmable watermark. If both the RDRF and TDRE interrupt requests are enabled, then the UART interrupt handler would need to read the S1 register to determine which condition is true then read and/or write to the UART data register (UARTx\_D) to clear the flags. Since the CPU is still responsible for moving data there is CPU loading associated with an interrupt-driven software approach.

Using the DMA to move data can help to decrease the CPU loading even more than using the UART interrupts. The UART's same RDRF and TDRE flags used for an interrupt-driven software approach can be re-routed to the DMA controller instead. This is done by setting the UARTx\_C5[TDMAS, RDMAS] bits. Each of these requests would be routed to a different DMA channel (the specific DMA channels would be selected by programming the DMA channel mux). One DMA channel would be responsible for handling receive traffic, so it would read one or more bytes from the UART for each request. The second DMA channel would be responsible for handling the transmit traffic, so it would write one or more bytes to the UART for each request. When the entire transmit or receive DMA movement is complete the DMA can interrupt the core to notify it of the completion. In this approach the CPU has no loading associated with the actual data movement. All of the CPU loading is the result of the initial configuration of both the UART and DMA modules and then any processing of data that is required to prepare it for transmission or interpret it after reception.

## 12.4 UART RS-232 hardware implementation

The diagram below shows a block diagram of the hardware connections for an RS-232 implementation. The diagram shows the optional hardware flow control signals, but only the RX and TX data connections are required.



**Figure 12-1. UART RS-232 hardware connections block diagram**

# Chapter 13

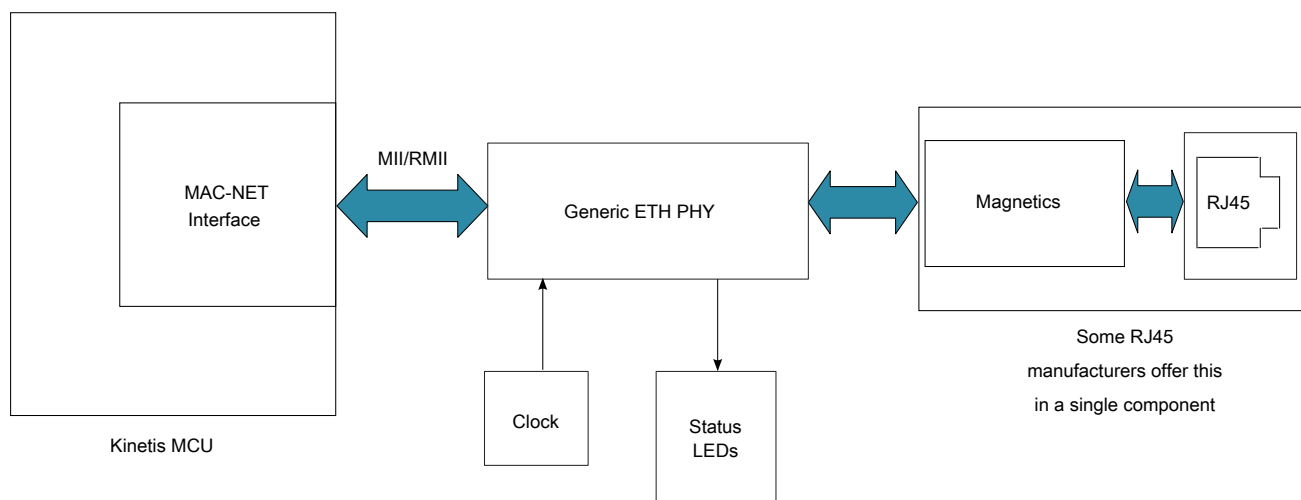
## ENET Module

### 13.1 Overview

The following chapter demonstrates how to use the media access controller (MAC) called ENET to connect to a generic external Ethernet physical transceiver (also called PHY). The following examples show how they connect to each other (hardware) and the registers (software) that link up to a network.

#### 13.1.1 Introduction

The MAC-NET controller is one of the communication interfaces included with the Kinetis family. The following block diagram represents how the MAC-NET fits in the system to connect to a local area network.

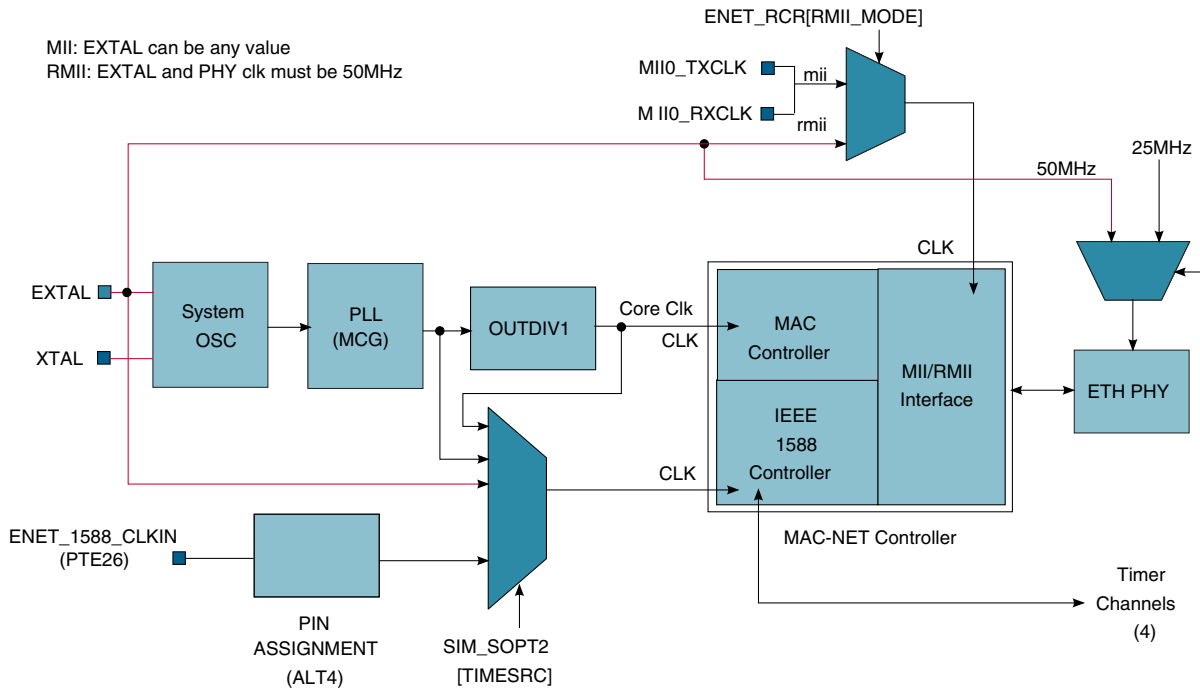


**Figure 13-1. MAC-NET block diagram**

The MAC-NET controller has three main components:

- MAC Controller—Controls the buffers and registers. Controls the MII /RMII Interface, and IEEE1588 controller.
- MII/RMII Interface— Interacts with the ETH PHY. It works in two modes. MII and RMII.
- IEEE1588 Controller—Adds time stamping and enhanced timer support for Ethernet controller.

The following figure represents how the MAC-NET interfaces with internal SoC connections. Each component has its own clock.



**Figure 13-2. MAC-NET interfaces**

The following sections describes some modes of operations and how the module needs to be configured.

### 13.1.2 Features

The MAC-NET key value-add components are as follows:

- The MAC-NET controller is compatible with the FEC controller present in previous ColdFire MCUs and MPUs and low-end PPC like the MPC5553/4.
- The hardware acceleration block helps software implementation with:
  - IPv4 and IPv6 support
  - IP, TCP, UDP, and ICMP checksum generation and checking

- Configurable discard of erroneous frames
- Configurable Ethernet payload alignment to allow for 32-bit word aligned header and payload processing
- Industrial communication can require the use of time synchronization between distributed nodes. The MAC-NET provides support for the IEEE1588 standard to overcome one of the drawbacks of Ethernet.

## 13.2 Configuration examples

When using the MAC-NET interface, most of the time it runs over an RTOS. Regardless of the type of RTOS, some generic modes need to be defined and followed before integrating to an existing software. The main 4 modes of operations are as follows:

- Basic Initialization—basic steps needed to run the MAC-NET.
- PHY Management Interface—configuration needed to get/set PHY configurations
- MII—media independent interface to the PHY
- RMII—reduced media independent interface to the PHY

### 13.2.1 Basic MAC-ENET initialization for a generic TCP/IP stack

Basic initialization is needed when configuring the MAC-NET controller.

#### 13.2.1.1 Code example and explanation

The following list is a sequence of steps needed to correctly configure the ENET interface.

1. Enable ENET clock and disable the MPU
2. Configure buffer descriptions (BD) in little endian
3. Reset MAC controller
4. Configure pins MII or RMII mode
5. Clear and unmask ENET xmit, rx, and error interrupts. Set interrupt level and priority
6. Take network speed and duplex from PHY, then configure ENET accordingly
7. Configure MAC address with hash support
8. Point MAC-ENET to xmit and Rx BD. Configure maximum packet size
9. Start MAC-ENET controller
10. Set ENET ready to receive

Example code:

```
/* Buffer Descriptor Format */  
#ifdef ENHANCED_BD
```

## Configuration examples

```

typedef struct
{
    uint16_t status;      /* control and status */
    uint16_t length;     /* transfer length */
    uint8_t *data;       /* buffer address */
    uint32_t ebd_status;
    uint16_t length_proto_type;
    uint16_t payload_checksum;
    uint32_t bdu;
    uint32_t timestamp;
    uint32_t reserverd_word1;
    uint32_t reserverd_word2;
} NBUF;
#else
typedef struct
{
    uint16_t status; /* control and status */
    uint16_t length; /* transfer length */
    uint8_t *data; /* buffer address */
} NBUF;
#endif /* ENHANCED_BD */

static void enet_init()
{
    int usData;
    const unsigned portCHAR ucMACAddress[6] =
    {
        configMAC_ADDR0,
        configMAC_ADDR1, configMAC_ADDR2, configMAC_ADDR3, configMAC_ADDR4, configMAC_ADDR5
    };

    /* Enable the ENET clock. */
    SIM_SCGC2 |= SIM_SCGC2_ENET_MASK;

    /*FSL: allow concurrent access to MPU controller. Example: ENET uDMA to SRAM, otherwise
    bus error*/
    MPU_CESR = 0;

    prvInitialiseENETBuffers();

    /* Set the Reset bit and clear the Enable bit */
    ENET_ECR = ENET_ECR_RESET_MASK;

    /* Wait at least 8 clock cycles */
    for( usData = 0; usData < 10; usData++ )
    {
        asm( "NOP" );
    }

    /*FSL: start MII interface*/
    mii_init(0, periph_clk_khz/1000/*MHz*/);

    //enet_interrupt_routine
    set_irq_priority(76, 6);
    enable_irq(76); //ENET xmit interrupt
    //enet_interrupt_routine
    set_irq_priority(77, 6);
    enable_irq(77); //ENET rx interrupt
    //enet_interrupt_routine
    set_irq_priority(78, 6);
    enable_irq(78); //ENET error and misc interrupts

    /*
     * Make sure the external interface signals are enabled
     */
    PORTB_PCR0 = PORT_PCR_MUX(4); //GPIO; //RMII0_MDIO/MII0_MDIO
    PORTB_PCR1 = PORT_PCR_MUX(4); //GPIO; //RMII0_MDC/MII0_MDC

#if configUSE_MII_MODE
    PORTA_PCR14 = PORT_PCR_MUX(4); //RMII0_CRS_DV/MII0_RXDV

```



```

PORTA_PCR5 = PORT_PCR_MUX(4); //RMII0_RXER/MII0_RXER
PORTA_PCR12 = PORT_PCR_MUX(4); //RMII0_RXD1/MII0_RXD1
PORTA_PCR13 = PORT_PCR_MUX(4); //RMII0_RXD0/MII0_RXD0
PORTA_PCR15 = PORT_PCR_MUX(4); //RMII0_TXEN/MII0_TXEN
PORTA_PCR16 = PORT_PCR_MUX(4); //RMII0_TXD0/MII0_TXD0
PORTA_PCR17 = PORT_PCR_MUX(4); //RMII0_TXD1/MII0_TXD1
PORTA_PCR11 = PORT_PCR_MUX(4); //MII0_RXCLK
PORTA_PCR25 = PORT_PCR_MUX(4); //MII0_TXCLK
PORTA_PCR9 = PORT_PCR_MUX(4); //MII0_RXD3
PORTA_PCR10 = PORT_PCR_MUX(4); //MII0_RXD2
PORTA_PCR28 = PORT_PCR_MUX(4); //MII0_TXER
PORTA_PCR24 = PORT_PCR_MUX(4); //MII0_TXD2
PORTA_PCR26 = PORT_PCR_MUX(4); //MII0_TXD3
PORTA_PCR27 = PORT_PCR_MUX(4); //MII0_CRS
PORTA_PCR29 = PORT_PCR_MUX(4); //MII0_COL
#else
PORTA_PCR14 = PORT_PCR_MUX(4); //RMII0_CRS_DV/MII0_RXDV
PORTA_PCR5 = PORT_PCR_MUX(4); //RMII0_RXER/MII0_RXER
PORTA_PCR12 = PORT_PCR_MUX(4); //RMII0_RXD1/MII0_RXD1
PORTA_PCR13 = PORT_PCR_MUX(4); //RMII0_RXD0/MII0_RXD0
PORTA_PCR15 = PORT_PCR_MUX(4); //RMII0_TXEN/MII0_TXEN
PORTA_PCR16 = PORT_PCR_MUX(4); //RMII0_TXD0/MII0_TXD0
PORTA_PCR17 = PORT_PCR_MUX(4); //RMII0_TXD1/MII0_TXD1
#endif

/* Can we talk to the PHY? */
do
{
    RTOS_DELAY( netifLINK_DELAY );
    usData = 0xffff;
    mii_read( 0, configPHY_ADDRESS, PHY_PHYIDR1, &usData );

} while( usData == 0xffff );

/* Start auto negotiate. */
mii_write( 0, configPHY_ADDRESS, PHY_BMCR, ( PHY_BMCR_AN_RESTART | PHY_BMCR_AN_ENABLE ) );

/* Wait for auto negotiate to complete. */
do
{
    RTOS_DELAY( netifLINK_DELAY );
    mii_read( 0, configPHY_ADDRESS, PHY_BMSR, &usData );

} while( !( usData & PHY_BMSR_AN_COMPLETE ) );

/* When we get here we have a link - find out what has been negotiated. */
usData = 0;
mii_read( 0, configPHY_ADDRESS, PHY_STATUS, &usData );

/* Clear the Individual and Group Address Hash registers */
ENET_IALR = 0;
ENET_IAUR = 0;
ENET_GALR = 0;
ENET_GAUR = 0;

/* Set the Physical Address for the selected ENET */
enet_set_address( 0, ucMACAddress );

#if configUSE_MII_MODE
/* Various mode/status setup. */
ENET_RCR = ENET_RCR_MAX_FL(configENET_RX_BUFFER_SIZE) | ENET_RCR_MII_MODE_MASK |
ENET_RCR_CRCFWD_MASK;
#else
ENET_RCR = ENET_RCR_MAX_FL(configENET_RX_BUFFER_SIZE) | ENET_RCR_MII_MODE_MASK |
ENET_RCR_CRCFWD_MASK | ENET_RCR_RMII_MODE_MASK;
#endif

/*FSL: clear rx/tx control registers*/
ENET_TCR = 0;
    
```

## Configuration examples

```

/* Setup half or full duplex. */
if( usData & PHY_DUPLEX_STATUS )
{
    /*Full duplex*/
    ENET_RCR &= (unsigned portLONG) ~ENET_RCR_DRT_MASK;
    ENET_TCR |= ENET_TCR_FDEN_MASK;
}
else
{
    /*half duplex*/
    ENET_RCR |= ENET_RCR_DRT_MASK;
    ENET_TCR &= (unsigned portLONG) ~ENET_TCR_FDEN_MASK;
}
/* Setup speed */
if( usData & PHY_SPEED_STATUS )
{
    /*10Mbps*/
    ENET_RCR |= ENET_RCR_RMII_10T_MASK;
}

#if( configUSE_PROMISCUOUS_MODE == 1 )
{
    ENET_RCR |= ENET_RCR_PROM_MASK;
}
#endif

#ifdef ENHANCED_BD
    ENET_ECR = ENET_ECR_EN1588_MASK;
#else
    ENET_ECR = 0;
#endif

/* Set Rx Buffer Size */
ENET_MRBR = (unsigned portSHORT) configENET_RX_BUFFER_SIZE;

/* Point to the start of the circular Rx buffer descriptor queue */
ENET_RDSR = ( unsigned portLONG ) &( xENETRxDescriptors[ 0 ] );

/* Point to the start of the circular Tx buffer descriptor queue */
ENET_TDSR = ( unsigned portLONG ) xENETTxDescriptors;

/* Clear all ENET interrupt events */
ENET_EIR = ( unsigned portLONG ) -1;

/* Enable interrupts */
ENET_EIMR = ENET_EIR_TXF_MASK | ENET_EIMR_RXF_MASK | ENET_EIMR_RXB_MASK |
ENET_EIMR_UN_MASK | ENET_EIMR_RL_MASK | ENET_EIMR_LC_MASK | ENET_EIMR_BABT_MASK |
ENET_EIMR_BABR_MASK | ENET_EIMR_EBERR_MASK;

/* Create the task that handles the MAC ENET RX */
/* RTOS + TCP/IP stack dependent */

/* Enable the MAC itself. */
ENET_ECR |= ENET_ECR_ETHEREN_MASK;

/* Indicate that there have been empty receive buffers produced */
ENET_RDAR = ENET_RDAR_RDAR_MASK;
}
static void prvInitialiseENETBuffers( void )
{
    unsigned portBASE_TYPE ux;
    unsigned char *pcBufPointer;

    pcBufPointer = &( xENETTxDescriptors_unaligned[ 0 ] );
    while( ( ( unsigned long ) pcBufPointer & 0x0fUL ) != 0 )
    {
        pcBufPointer++;
    }

    xENETTxDescriptors = ( NBUF * ) pcBufPointer;
}

```

```

pcBufPointer = &( xENETRxDescriptors_unaligned[ 0 ] );
while( ( ( unsigned long ) pcBufPointer & 0x0fUL ) != 0 )
{
    pcBufPointer++;
}

xENETRxDescriptors = ( NBUF * ) pcBufPointer;

/* Setup the buffers and descriptors. */
pcBufPointer = &( ucENETTxBuffers[ 0 ] );
while( ( ( unsigned long ) pcBufPointer & 0x0fUL ) != 0 )
{
    pcBufPointer++;
}

for( ux = 0; ux < configNUM_ENET_TX_BUFFERS; ux++ )
{
    xENETTxDescriptors[ ux ].status = TX_BD_TC;
    #ifdef NBUF_LITTLE_ENDIAN
    xENETTxDescriptors[ ux ].data = (uint8_t *)__REV((uint32_t)pcBufPointer);
    #else
    xENETTxDescriptors[ ux ].data = pcBufPointer;
    #endif
    pcBufPointer += configENET_TX_BUFFER_SIZE;
    xENETTxDescriptors[ ux ].length = 0;
    #ifdef ENHANCED_BD
    xENETTxDescriptors[ ux ].ebd_status = TX_BD_IINS | TX_BD_PINS;
    #endif
}

pcBufPointer = &( ucENETRxBuffers[ 0 ] );
while( ( ( unsigned long ) pcBufPointer & 0x0fUL ) != 0 )
{
    pcBufPointer++;
}

for( ux = 0; ux < configNUM_ENET_RX_BUFFERS; ux++ )
{
    xENETRxDescriptors[ ux ].status = RX_BD_E;
    xENETRxDescriptors[ ux ].length = 0;
    #ifdef NBUF_LITTLE_ENDIAN
    xENETRxDescriptors[ ux ].data = (uint8_t *)__REV((uint32_t)pcBufPointer);
    #else
    xENETRxDescriptors[ ux ].data = pcBufPointer;
    #endif
    pcBufPointer += configENET_RX_BUFFER_SIZE;
    #ifdef ENHANCED_BD
    xENETRxDescriptors[ ux ].bdu = 0x00000000;
    xENETRxDescriptors[ ux ].ebd_status = RX_BD_INT;
    #endif
}

/* Set the wrap bit in the last descriptors to form a ring. */
xENETTxDescriptors[ configNUM_ENET_TX_BUFFERS - 1 ].status |= TX_BD_W;
xENETRxDescriptors[ configNUM_ENET_RX_BUFFERS - 1 ].status |= RX_BD_W;

uxNextRxBuffer = 0;
uxNextTxBuffer = 0;
}

```

## 13.3 PHY management interface

The PHY management interface is the path to communicate to the PHY control/status registers which describes the network. Communication between the MAC-NET and the PHY is made by 2 signals:

- One clock generated from the ENET interface for the PHY. Clock cannot be greater than 2.5 MHz and is controlled by register ENET\_MSCR[MII\_SPEED] divider which uses peripheral clock as reference.
- One bidirectional signals which sends/receives data to/from the PHY.

### 13.3.1 Code example and explanation

The following example code starts the PHY management interface that starts the auto-negotiation process from the PHY to the network.

Example code:

```
void
enet_start_mii(void)
{
    PORTB_PCR0 = PORT_PCR_MUX(4); //GPIO; //RMII0_MDIO/MII0_MDIO
    PORTB_PCR1 = PORT_PCR_MUX(4); //GPIO; //RMII0_MDC/MII0_MDC

    /*FSL: start MII interface*/
    mii_init(0, periph_clk_khz/1000/*MHz*/);

    /* Can we talk to the PHY? */
    do
    {
        vTaskDelay( netifLINK_DELAY );
        usData = 0xffff;
        mii_read( 0, configPHY_ADDRESS, PHY_PHYIDR1, &usData );

    } while( usData == 0xffff );

    /* Start auto negotiate. */
    mii_write( 0, configPHY_ADDRESS, PHY_BMCR, ( PHY_BMCR_AN_RESTART | PHY_BMCR_AN_ENABLE ) );
}

void
mii_init(int ch, int sys_clk_mhz)
{
    ENET_MSCR/*(ch)*/ = 0
#ifdef TSIEVB/*TSI EVB requires a longer hold time than default 10 ns*/
        | ENET_MSCR_HOLDTIME(2)
#endif
        | ENET_MSCR_MII_SPEED((2*sys_clk_mhz/5)+1)
    ;
}

int
mii_write(int ch, int phy_addr, int reg_addr, int data)
{
    int timeout;

    /* Clear the MII interrupt bit */
```

```

ENET_EIR/*(ch)*/ = ENET_EIR_MII_MASK;

/* Initiatate the MII Management write */
ENET_MMFR/*(ch)*/ = 0
| ENET_MMFR_ST(0x01)
| ENET_MMFR_OP(0x01)
| ENET_MMFR_PA(phy_addr)
| ENET_MMFR_RA(reg_addr)
| ENET_MMFR_TA(0x02)
| ENET_MMFR_DATA(data);

/* Poll for the MII interrupt (interrupt should be masked) */
for (timeout = 0; timeout < MII_TIMEOUT; timeout++)
{
if (ENET_EIR/*(ch)*/ & ENET_EIR_MII_MASK)
break;
}

if(timeout == MII_TIMEOUT)
return 1;

/* Clear the MII interrupt bit */
ENET_EIR/*(ch)*/ = ENET_EIR_MII_MASK;

return 0;
}
/*****/
int
mii_read(int ch, int phy_addr, int reg_addr, int *data)
{
int timeout;

/* Clear the MII interrupt bit */
ENET_EIR/*(ch)*/ = ENET_EIR_MII_MASK;

/* Initiatate the MII Management read */
ENET_MMFR/*(ch)*/ = 0
| ENET_MMFR_ST(0x01)
| ENET_MMFR_OP(0x2)
| ENET_MMFR_PA(phy_addr)
| ENET_MMFR_RA(reg_addr)
| ENET_MMFR_TA(0x02);

/* Poll for the MII interrupt (interrupt should be masked) */
for (timeout = 0; timeout < MII_TIMEOUT; timeout++)
{
if (ENET_EIR/*(ch)*/ & ENET_EIR_MII_MASK)
break;
}

if(timeout == MII_TIMEOUT)
return 1;

/* Clear the MII interrupt bit */
ENET_EIR/*(ch)*/ = ENET_EIR_MII_MASK;

*data = ENET_MMFR/*(ch)*/ & 0x0000FFFF;

return 0;
}
    
```

## 13.4 MII mode

The media independent interface (MII) is a configuration mode that requires 18 signals to communicate to a generic PHY. The MII operates at 25 MHz. The synchronization signals are part of the MII external signals provided by the Ethernet PHY.

### 13.4.1 Code example and explanation

The following example code shows the registers needed to configure the MAC-NET controller in MII mode.

```

PORTA_PCR14 = PORT_PCR_MUX(4); //RMII0_CRS_DV/MII0_RXDV
PORTA_PCR5  = PORT_PCR_MUX(4); //RMII0_RXER/MII0_RXER
PORTA_PCR12 = PORT_PCR_MUX(4); //RMII0_RXD1/MII0_RXD1
PORTA_PCR13 = PORT_PCR_MUX(4); //RMII0_RXD0/MII0_RXD0
PORTA_PCR15 = PORT_PCR_MUX(4); //RMII0_TXEN/MII0_TXEN
PORTA_PCR16 = PORT_PCR_MUX(4); //RMII0_TXD0/MII0_TXD0
PORTA_PCR17 = PORT_PCR_MUX(4); //RMII0_TXD1/MII0_TXD1
PORTA_PCR11 = PORT_PCR_MUX(4); //MII0_RXCLK
PORTA_PCR25 = PORT_PCR_MUX(4); //MII0_TXCLK
PORTA_PCR9  = PORT_PCR_MUX(4); //MII0_RXD3
PORTA_PCR10 = PORT_PCR_MUX(4); //MII0_RXD2
PORTA_PCR28 = PORT_PCR_MUX(4); //MII0_TXER
PORTA_PCR24 = PORT_PCR_MUX(4); //MII0_TXD2
PORTA_PCR26 = PORT_PCR_MUX(4); //MII0_TXD3
PORTA_PCR27 = PORT_PCR_MUX(4); //MII0_CRS
PORTA_PCR29 = PORT_PCR_MUX(4); //MII0_COL

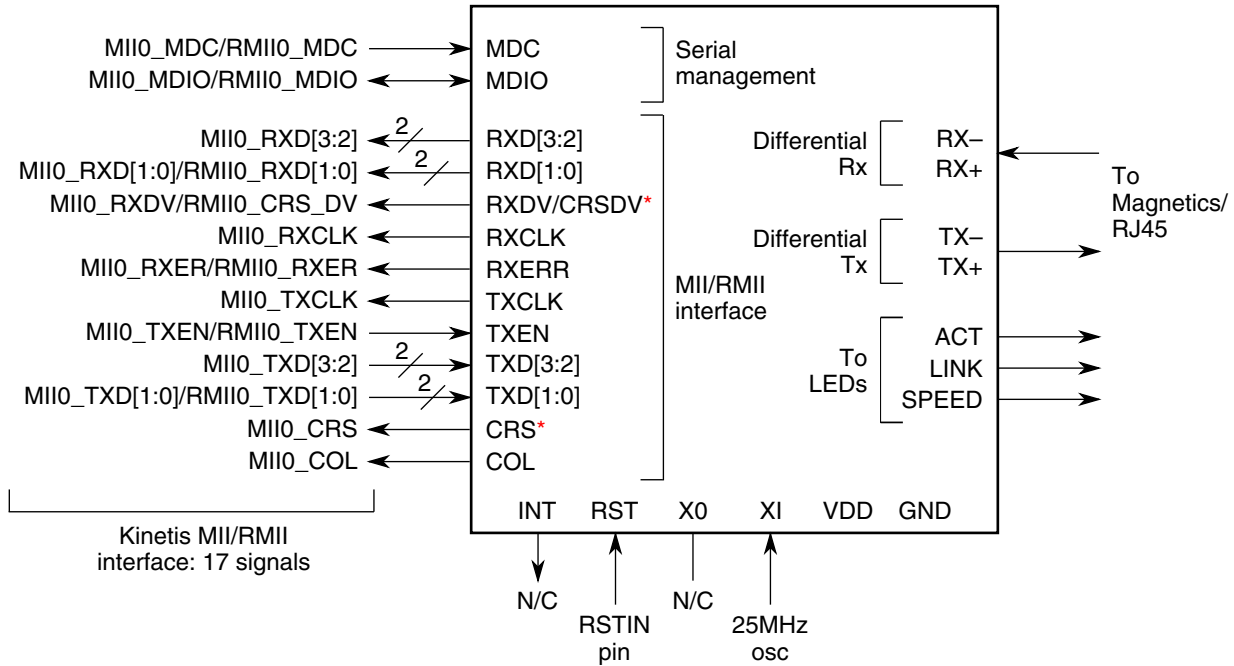
ENET_RCR = ENET_RCR_MAX_FL(configENET_RX_BUFFER_SIZE) | ENET_RCR_MII_MODE_MASK |
ENET_RCR_CRCFWD_MASK;

```

#### 13.4.1.1 Hardware implementation

The following figure shows the connection needed from the MAC-NET pins to a generic Ethernet PHY in MII mode.

In MII mode, Rx and Tx are synchronous to MII0\_RXCLK and MII0\_TXCLK respectively. There is no additional requirement from the MAC-NET to synch from the PHY to the MII/RMII interface. The PHY data sheet must be followed for all electrical requirements.



**Figure 13-3. MII connection**

**NOTE**

The “ \* ” indicates special precautions that must be taken for a each specific Ethernet PHY manufacturer. The CRSDV function may be located in either pin.

**NOTE**

The TXER signal is not required for this example, this is why there are 17 signals and not 18.

### 13.5 RMII mode

The reduced media independent interface (RMII) is a configuration mode that requires nine signals to communicate to a generic PHY. The RMII operates at 50 MHz and requires synchronization between the PHY and the ENET RMII interface clock input (EXTAL). Depending on the PHY specifications, the clock options used by the MCU can be:

- PHY clock input
- PHY clock output if provided

### 13.5.1 Code example and explanation

The following example code shows the registers needed to configure the MAC-NET controller in RMII mode.

Example code:

```

PORTA_PCR14 = PORT_PCR_MUX(4); //RMII0_CRS_DV/MII0_RXDV
PORTA_PCR5  = PORT_PCR_MUX(4); //RMII0_RXER/MII0_RXER
PORTA_PCR12 = PORT_PCR_MUX(4); //RMII0_RXD1/MII0_RXD1
PORTA_PCR13 = PORT_PCR_MUX(4); //RMII0_RXD0/MII0_RXD0
PORTA_PCR15 = PORT_PCR_MUX(4); //RMII0_TXEN/MII0_TXEN
PORTA_PCR16 = PORT_PCR_MUX(4); //RMII0_TXD0/MII0_TXD0
PORTA_PCR17 = PORT_PCR_MUX(4); //RMII0_TXD1/MII0_TXD1

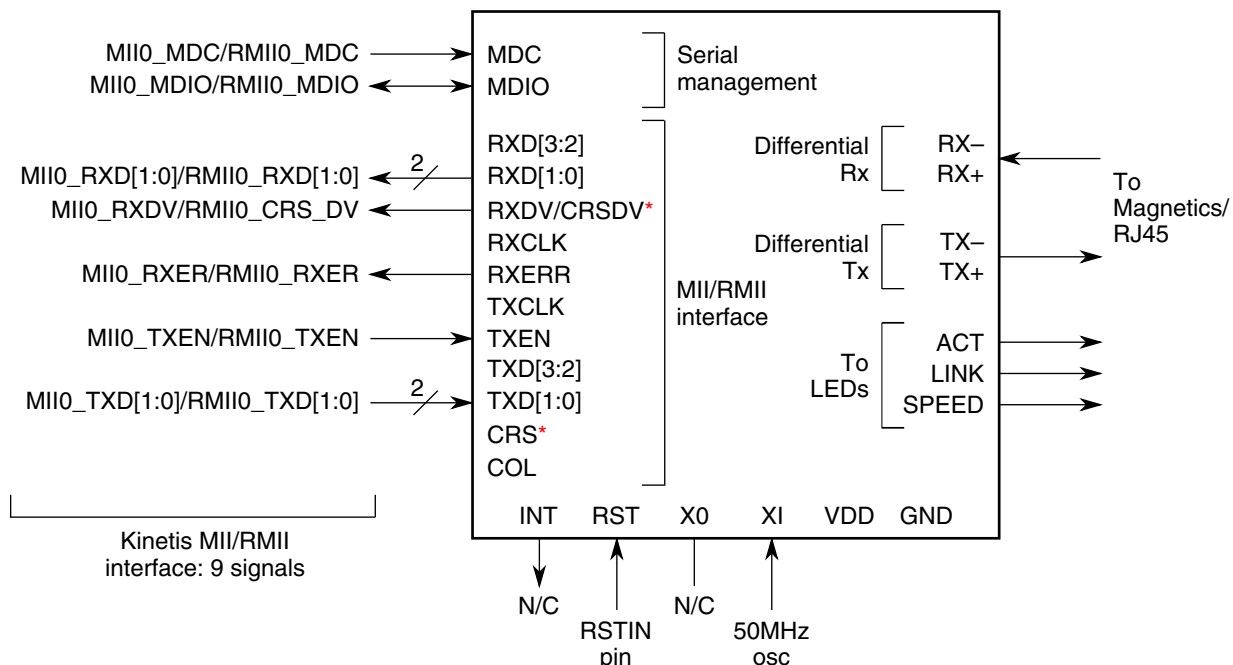
ENET_RCR = ENET_RCR_MAX_FL(configENET_RX_BUFFER_SIZE) | ENET_RCR_MII_MODE_MASK |
ENET_RCR_CRCFWD_MASK | ENET_RCR_RMII_MODE_MASK;

```

#### 13.5.1.1 Hardware implementation

The following two figures show the connection needed from the MAC-NET pins to any generic Ethernet PHYs in RMII mode.

The connection from the RMII0\_CRS\_DV is dependent on the PHY implementation. In the first figure, the RMII0\_CRS\_DV signal is connected to the RXDV/CRSDV pin.



**Figure 13-4. RMII mode connection example 1**

The RMII0\_CRS\_DV is connected to the CRS/CRSDV. Hardware designs need to be taken into consideration depending on the specific PHY used.



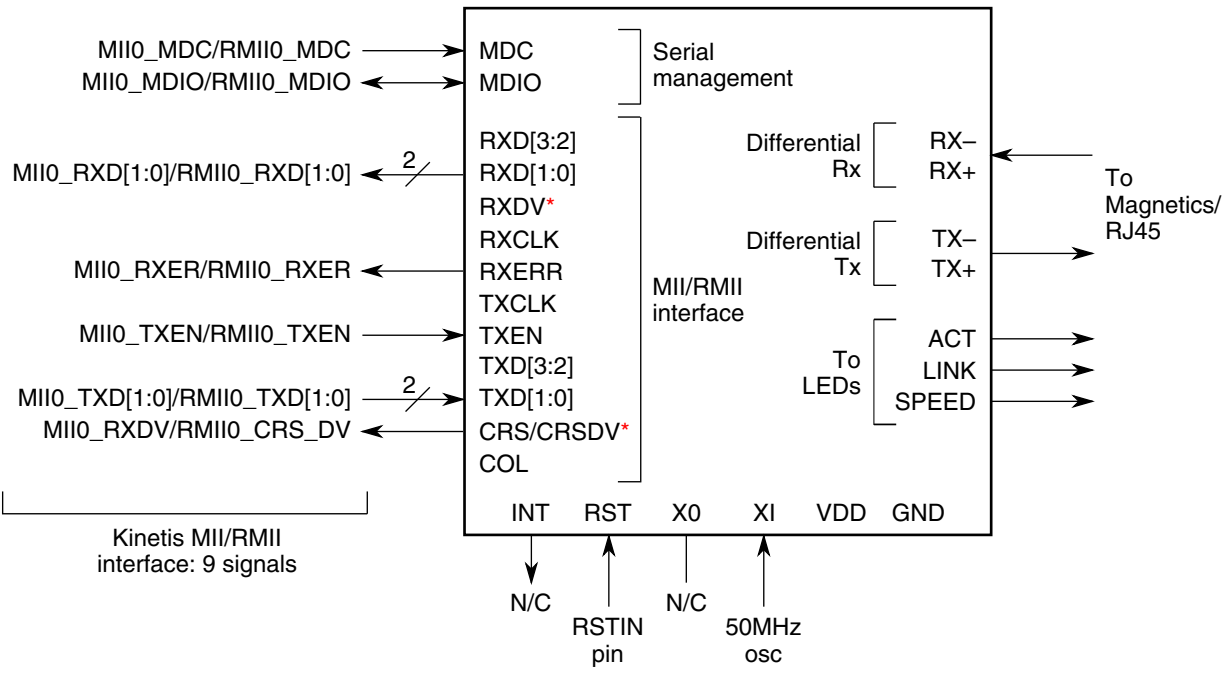


Figure 13-5. RMI mode connection example 2

**NOTE**

The “ \* ” indicates special precautions that must be taken for a each specific Ethernet PHY manufacturer. The CRSDV function may be located in either pin.

The hardware considerations from the PHY to the Ethernet Magnetics or the RJ45 connector are supplied from the PHY manufacturer.

**13.6 PCB Design Recommendations**

ENET interface signals function at 25 or 50 MHz. Design guidelines must be followed.

**13.6.1 Layout Guidelines**

Each vendor implementation guide must be closely followed. The quality of the Ethernet connection is many times dependent on board routing, magnetics quality, and the configured mode of operation for the PHY.

### 13.6.1.1 General Routing and Placement

Use the following general routing and placement guidelines when laying out a new design for the ENET.

- Series termination guidelines must be placed as close as possible to the origin of the signal. This must be followed by PHY and ENET outputs.
- When working in RMI mode, a 50 MHz external reference must be connected to the EXTAL pin. Then the MII/RMII interface is able to communicate with the PHY, which uses the same clock. If your PHY clock presents an output delay (compared to the input clock), this delay must be properly matched (frequency and phase) to the EXTAL pin, or data corruption occurs. Some PHYs output a 50 MHz clock which must be used for the MCU EXTAL pin. Follow your PHY specifications and considerations for the RMI mode.

# Chapter 14

## USB Device Charger Detection (USBDCD) Module

### 14.1 Overview

This chapter intends to show the general configuration sequence and the service routines needed to be able to detect the host type and charger that is connected to the USB module.

#### 14.1.1 Introduction

The USB battery charger specification defines limits, detection, control, and reporting mechanisms that permit devices to draw current in excess of the USB 2.0 specification for charging or powering up from dedicated chargers, hosts, and hubs, and for charging downstream ports. These mechanisms are backward-compatible with USB 2.0 compliant hosts and peripherals. The USB ports on personal computers are convenient places for portable devices to draw current for charging their batteries. This convenience has led to the creation of USB chargers that expose a USB standard-A receptacle. This allows portable devices to use the same USB cable to charge from either a PC or from a USB charger. Freescale Kinetis microprocessors include a device charger detection (DCD) module capable of identifying if the device is connected to a PC host or to a USB dedicated charger.

#### 14.1.2 Features

The USBDCD module works with the USB transceiver to detect if the USB device is attached to a charging port (either a dedicated charging port or a charging host). The system software coordinates the detection activities of the module and controls an off-chip integrated circuit that performs the battery charging. The main features of the DCD module are the following:

- USB battery charger specification compliant (rev 1.1)
- Programmable timing parameters

- Uses the same D+ and D- signals as the USB module
- Enables rechargeable batteries usage
- Low power operation

### 14.1.3 Battery charger specification

The USB battery charger specification establishes three different types of downstream ports:

- **Standard Downstream Port**

Refers to a downstream port on a device that complies with the USB 2.0 definition of a host or hub. A standard downstream port expects a downstream device to draw:

- less than a 2.5 mA average when disconnected or suspended
- up to 100 mA maximum when connected and not suspended
- up to 500 mA maximum if configured and not suspended

- **Charging Downstream Port**

A charging downstream port is a downstream port on a device that complies with the USB 2.0 definition of a host or a hub. It can supply a maximum of 1.5 A to a low/full speed port and 900 mA to a high speed port.

- **Dedicated Charger**

A dedicated charging port is a downstream port on a device that outputs power through a USB connector, but is not capable of enumerating a downstream device. A dedicated charging port is able to supply a maximum of 1.8 A. A dedicated charging port is required to short the D+ line to the D- line.

In other words, the amount of current that the device is able to draw to charge the system batteries depends on the type of downstream port it is connected to.

## 14.2 Module Configuration

### 14.2.1 Module dependencies

The DCD module depends on other modules to operate correctly:

#### Clock Source

The DCD module needs a 48 MHz clock. This clock is the same as that applied to the USB module, but the DCD has its own clock gating bit in the SIM\_SCGC6 register. Make sure that the USBDCD bit is set to enable the clock source to the DCD module.

### I/O Signal

The DCD module needs to know when the USB connector is plugged in. This can be made using an I/O signal measuring the status of the VBUS line of the USB connector. When the VBUS line becomes high, the software must call the start sequence routine of the DCD module. (see I/O section for more details of the pin configuration).

### USB Module

The host detection sequence ends after the pullup resistor is enabled in the D+ signal. Only the USB module can enable this pullup. The USB module needs to be pre-initialized to enable the pullup (when needed) and start the USB enumeration process if required (only if detection results on a standard host or charging host type).

### Voltage Regulator

The USB transceiver power line comes directly from the VOUT33 (voltage regulator output). Therefore the regulator must be enabled to make sure that the pull-up is present when needed.

## 14.3 DCD hardware implementation

The basic connection to use the DCD module is the differential lines routed to the USB connector, with the proper coupling resistors and an I/O signal sensing the VBUS pin. Remember that the Kinetis family has 5 V tolerant pins, meaning that there is no need to add a level shifter or resistor divider to sense the VBUS line.

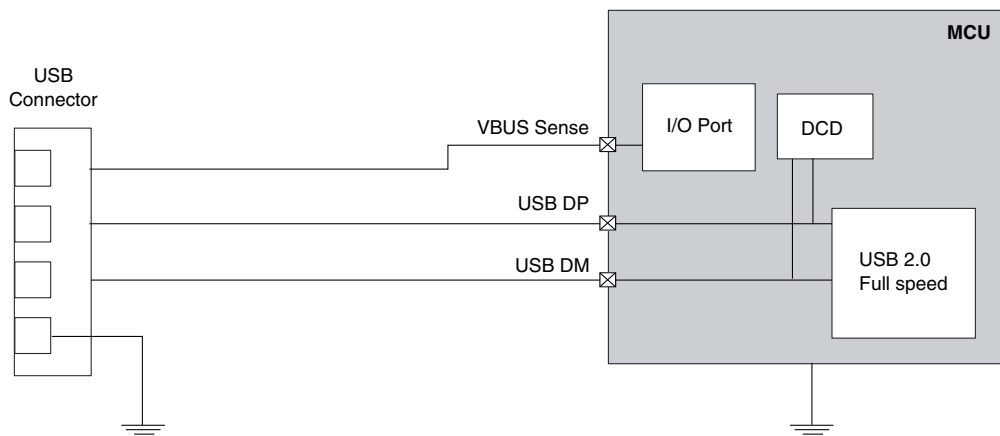


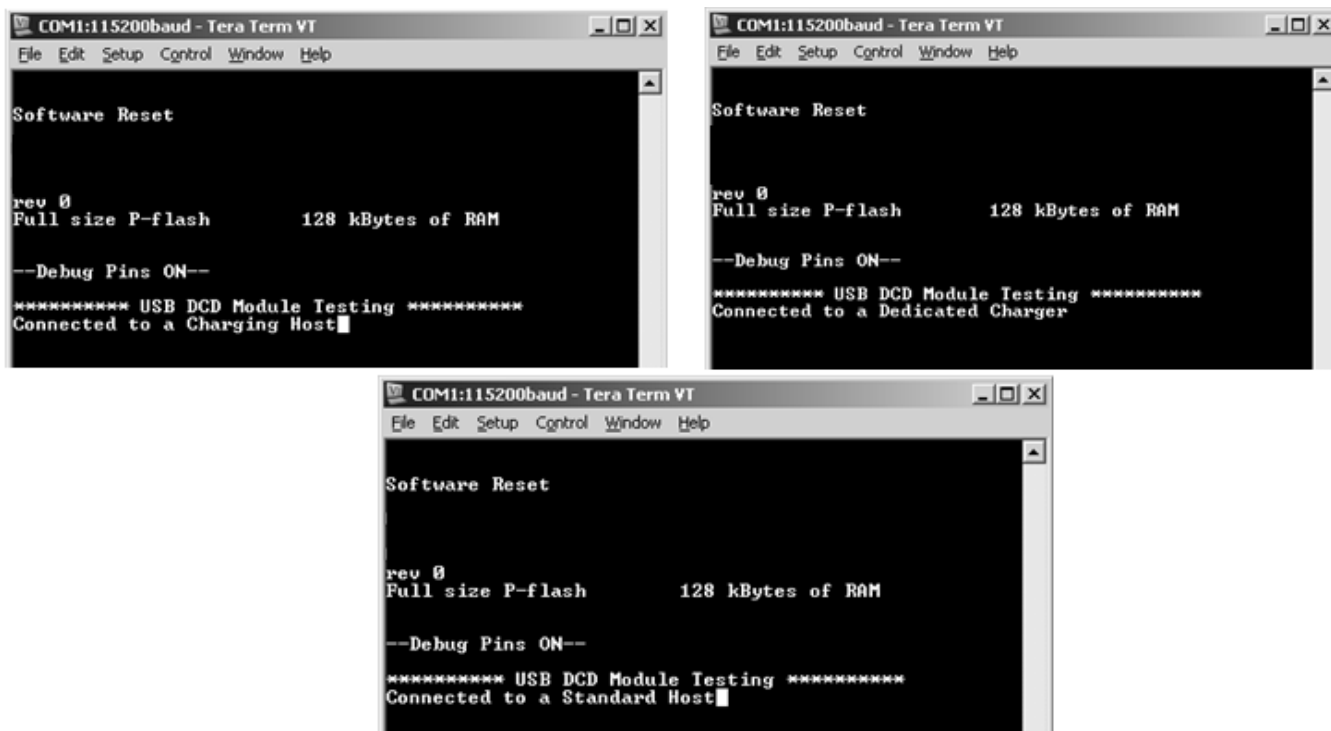
Figure 14-1. DCD hardware diagram

## 14.4 Example code

The DCD example code sends a message to a terminal showing what type of host is attached to the USB module. To be able to test the three different types of hosts it is necessary to have a special tool. Because the standard is new only a few companies have support for this. The tool that Freescale uses is the *Allion USB battery Charging Test* feature. Using this tool and a regular PC is enough to emulate any host and test the DCD module. For more information about the Allion USB battery Charging Test feature, go to: [http://www.allion.com/TestTool/USB\\_Charging.pdf](http://www.allion.com/TestTool/USB_Charging.pdf)

The code waits until the USB cable is attached, sending 5 V to PTB0. After the software detects the rising edge in the VBUS signal, starts the DCD detection sequence, and waits until the sequence is completed or the module sends an error notification.

The next three windows show the result of each host type.



**Figure 14-2. DCD demo results**

Software Explanation—The software is simple. This section will explain in detail how to set the clocks, USB, and I/O pins to run the DCD example.

1. First, configure one I/O pin as input. In this example PTB0 is used for the VBUS detection.

```
FLAG_SET(SIM_SCGC5_PORTB_SHIFT,SIM_SCGC5); // Enable clock for PTB
PORTE_PCR0=(0|PORT_PCR_MUX(1)); // configure PTB0 as I/O pin
```

- Next, enable the USB and the DCD clock gating bits in the SIM.

```
/* SIM Configuration */
SIM_SCGC4|=(SIM_SCGC4_USBOTG_MASK); // USB Clock Gating
SIM_SCGC6|=(SIM_SCGC6_USBDCD_MASK); // USB Clock Gating
```

- Pre-initialize the USB. This is required to enable the pullup resistor that is controlled by the USB module.

```
// USB pre-initialization
USBOTG_USBTRC0|=USBOTG_USBTRC0_USBRESET_MASK;
while(FLAG_CHK(USBOTG_USBTRC0_USBRESET_SHIFT,USBOTG_USBTRC0)){};
FLAG_SET(USBOTG_ISTAT_USBRST_MASK,USBOTG_ISTAT);
```

```
// Enable USB Reset Interrupt
FLAG_SET(USBOTG_INTEN_USBRSTEN_SHIFT,USBOTG_INTEN);
USBOTG_USBCTRL=0x00;
USBOTG_USBTRC0|=0x40;
USBOTG_CTL|=0x01;
```

- Configure the DCD clock register.

```
USBDCD_CLOCK=(DCD_TIME_BASE<<2)|1;
```

- At this point the application is polling the PTB0 pin for VBUS detection, but a port interrupt can also be used to avoid polling method.

```
// Waiting for VBUS
if(FLAG_CHK(0,GPIOB_PDIR) && !FLAG_CHK(VBUS_Flag,gu8InterruptFlags))
{
    USBDCD_CONTROL=USBDCD_CONTROL_IE_MASK | USBDCD_CONTROL_IACK_MASK;
    FLAG_SET(USBDCD_CONTROL_START_SHIFT,USBDCD_CONTROL);
    FLAG_SET(VBUS_Flag,gu8InterruptFlags);
}
```

- Finally, when the detection sequence is completed the application needs to read the results in the DCD registers and send them to the terminal.

```
// DCD results
if(FLAG_CHK(DCD_Flag,gu8InterruptFlags))
{
    u8Error=DCD_GetChargerType();

    if((u8Error&0xF0))
        printf("Oooooops DCD Error");
    else
    {
        if((u8Error&0x0F)==STANDARD_HOST)
            printf("Connected to a Standard Host");
        if((u8Error&0x0F)==CHARGING_HOST)
            printf("Connected to a Charging Host");
        if((u8Error&0x0F)==DEDICATED_CHARGER)
            printf("Connected to a Dedicated Charger");
    }
}
```

The function that returns the charger type result is:

```
UINT8 DCD_GetChargerType(void)
{
    UINT8 u8ChargerType;
    u8ChargerType = (UINT8)((USBDCD_STATUS & USBDCD_STATUS_SEQ_RES_MASK)>>16);
    u8ChargerType|= (UINT8)((USBDCD_STATUS & USBDCD_STATUS_FLAGS_MASK)>>16);
    return(u8ChargerType);
}
```

**example code**

The DCD interrupt service routine:

```
void DCD_ISR(void)
{
    USBDCD_CONTROL |= USBDCD_CONTROL_IACK_MASK; // acknowledge

    if((USBDCD_STATUS & 0x000C0000) == 0x00080000)
        FLAG_SET(USBOTG_CONTROL_DPPULLUPNONOTG_SHIFT, USBOTG_CONTROL); // enable pullup

    if((!(USBDCD_STATUS & 0x00400000)) || (USBDCD_STATUS & 0x00300000))
        FLAG_SET(DCD_Flag, gu8InterruptFlags); // charger detection completed
}
```

**NOTE**

The example code included in this user guide is for demonstration purposes only. For general-purpose applications, please download Freescale USB stack with PHDC support or Freescale MQX Software Solutions from <http://www.freescale.com/usb>.



# Chapter 15

## Universal Serial Bus OTG Module

### 15.1 Introduction

The Universal Serial Bus (USB) is a serial bus standard for communicating between a host controller and different types of devices. USB has become the standard connection method for PCs, PDAs, and video games, and more recently has been used on power cords. This is because USB can connect printers, keyboards, mice, game devices, communication devices, storage devices, and custom devices. USB 2.0 full-speed allows 12 Mbit/s communication between the host controller and the device.

### 15.2 Features

- USB Full Speed 2.0 compliant (12 Mbit/s)
- Dual role operation
- 16 double-buffered bidirectional endpoints
- On-chip USB full-speed PHY
- Integration with device charger detection (DCD) module
- 120 mA on-chip regulator for MCU and external components

### 15.3 USB operation modes

#### Device Mode

The USB is configured to respond to external host requests. In this mode the MCU has no control of the USB bus. All the transfers are started by the Host controller that is also providing the VBUS voltage. The DCD was designed to run together with this USB mode. First, the DCD detects the host type and after the USB takes the control of the D+ and D- signals.

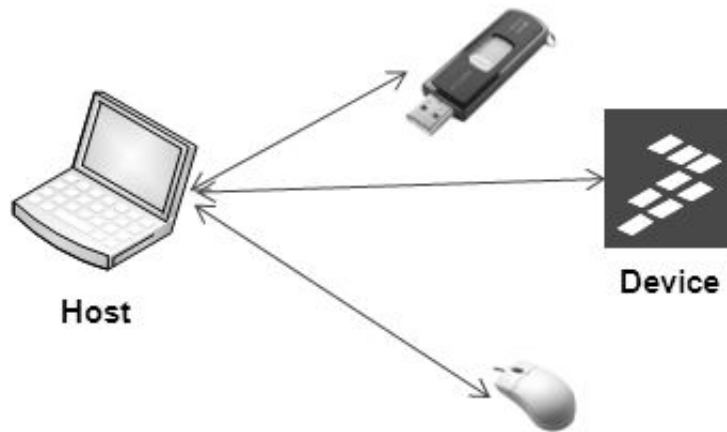


Figure 15-1. USB device mode

### Host Mode

In this mode the module works as the USB master having the entire control of the USB bus. The Serial interface engine takes care of the timing and the frames. The software stack takes care of the transfer management of the bus. The host also needs to provide the 5 v (VBUS) power line to supply the remote devices (in case its needed).



Figure 15-2. USB host mode

## 15.4 Voltage regulator operation modes

The voltage regulator is composed of two different regulators, the standby regulator and the run regulator. You can select which regulator will be used by using the standby bit in the system integration module. The input pin for the regulator is called VREGIN and the output pin is VOUT33.

### Run Mode

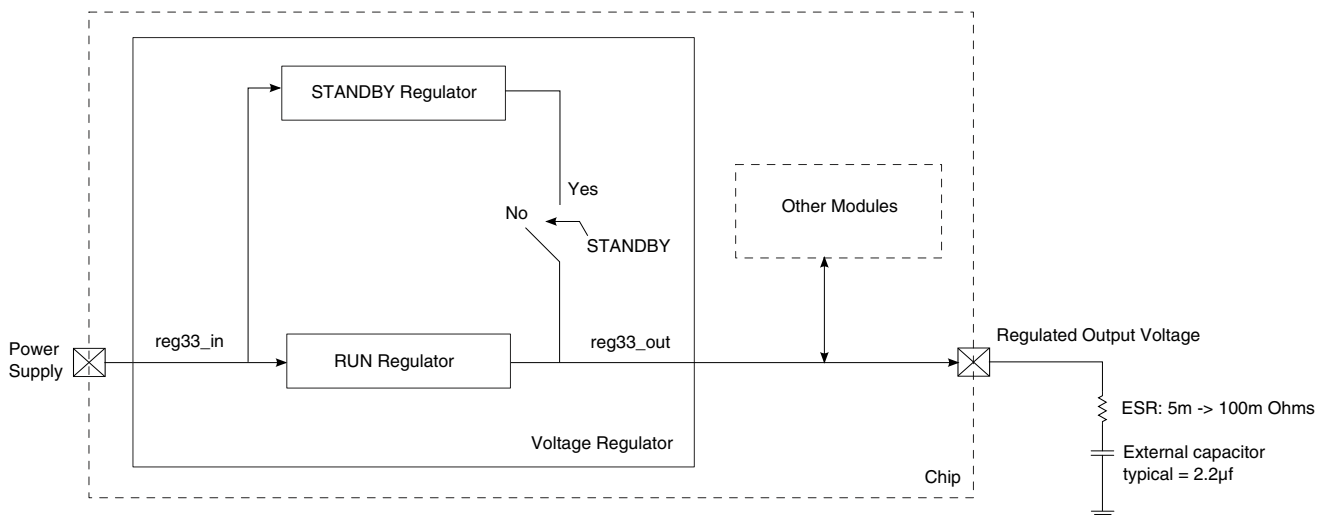
The regulating loop of the RUN regulator and the STANDBY regulator are active, but the switch connecting the STANDBY regulator output to the external pin is open.

### Standby Mode

The regulating loop of the RUN regulator is disabled and the standby regulator is active. The switch connecting the STANDBY regulator output to the external pin is closed.

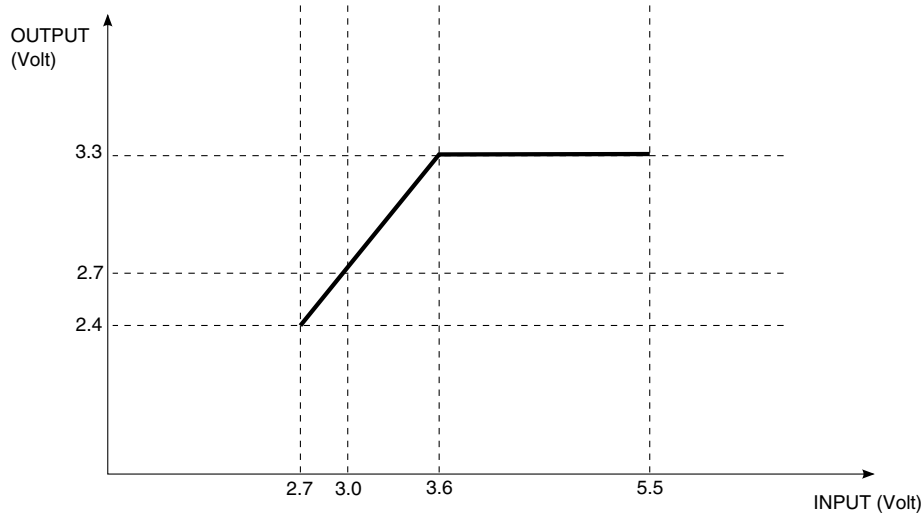
### Shutdown

The module is disabled.



**Figure 15-3. Voltage regulator block diagram**

When the input power supply is below 3.6 V, the regulator goes to pass-through mode. The following figure shows the ideal relation between the regulator output and input power supply.



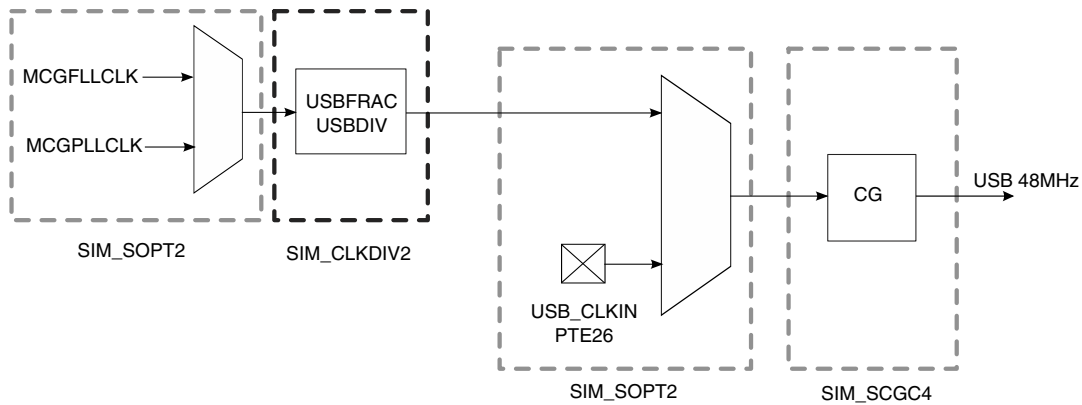
**Figure 15-4. Regulator output**

## 15.5 Module configuration

### 15.5.1 Module dependencies

#### Clock Source

The USB module needs a 48 MHz clock to operate. There are three possible sources for the USB clock: PLL, FLL, and an external pin called USB\_CLKIN. With PLL or FLL, there is a fractional divider after the MUX. It divides the frequency of the PLL or FLL to enable the MCU to operate at higher frequencies than 48 MHz. The output of the fractional divider goes to a MUX, and then a choice is made between this signal and the USB\_CLKIN pin. The fractional divider value can be configured in the SIM\_CLKDIV2 register inside the system integration module (SIM).



**Figure 15-5. USB clock diagram**

## Voltage Regulator

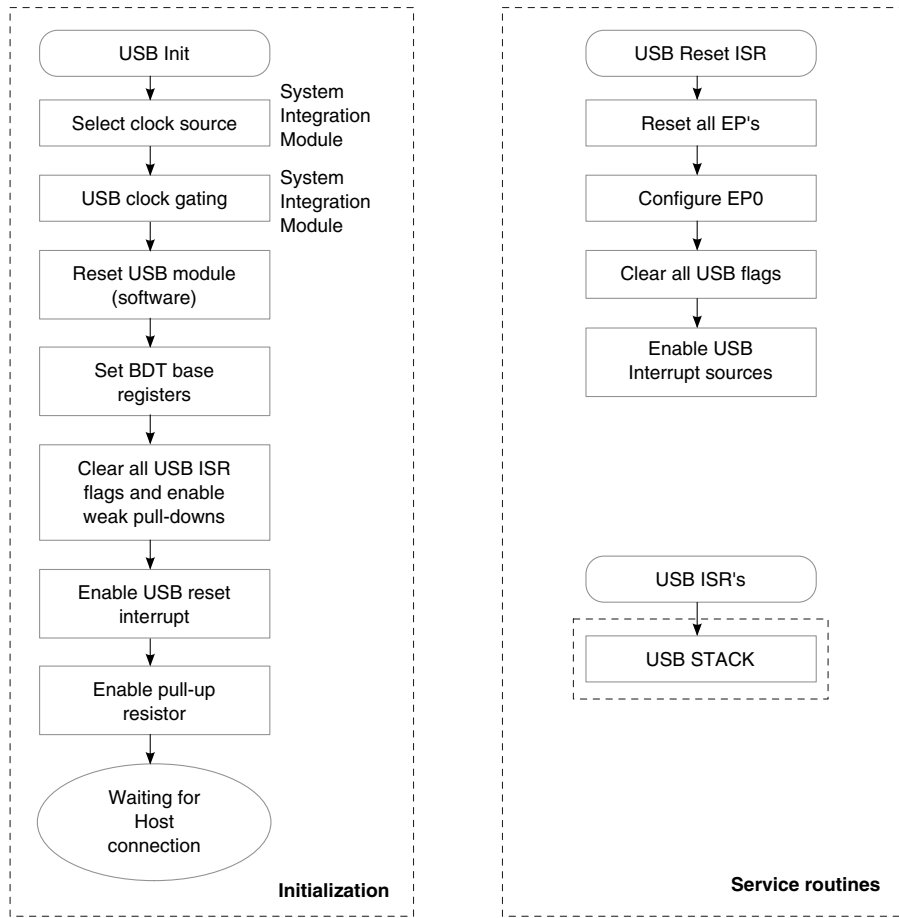
The USB transceiver power supply comes directly from VOUT33 (voltage regulator output). Therefore, the regulator must be enabled to supply 3.3 V to the transceiver.

## 15.5.2 USB initialization process

The USB module can work in either device or host mode. During initialization the two modes are similar, but there are minor differences between the two.

### Device Mode Initialization

In device mode the USB module activates the pullup resistor after initialization is complete, to be detected by the remote host.



**Figure 15-6. Device mode initialization flow**

### Host Mode Initialization

To enable host support, one bit needs to be set. This enables 1-ms SOF (start of frame) generation in the USB module. When a pullup is detected in the D+ or D- signal, the module generates the attached interrupt, which indicates that one device is attached to the bus and the enumeration process must start.

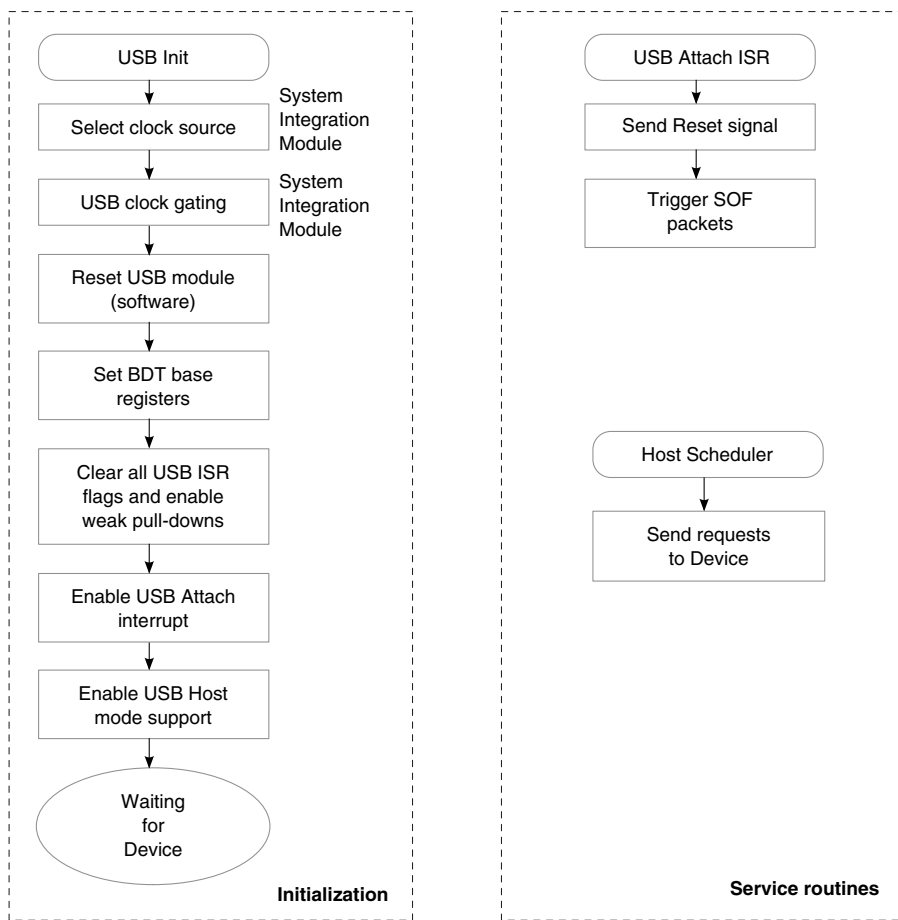


Figure 15-7. Host mode initialization flow

### 15.5.3 Voltage regulator initialization

The USB regulator is enabled by default; therefore, no initialization is required unless the regulator was previously disabled by the software after the last POR.

## 15.6 Hardware implementation

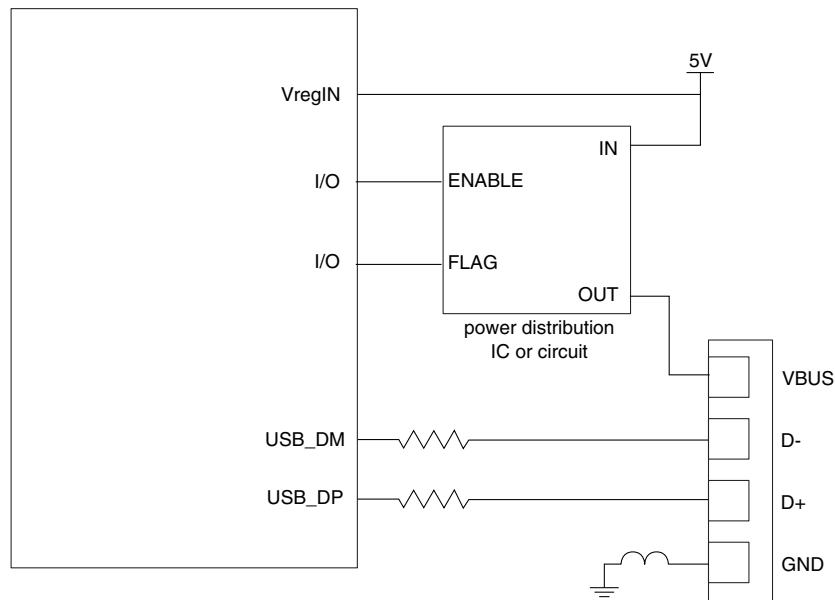
### 15.6.1 Connection diagram

The USB 2.0 requests the D+ and D- signals, VBUS (5 V power line), ground, and in some cases the ID pin. This ID pin is included in the OTG specification and is used when one device can act as a host or as a device, depending on which plug is connected into the

board connector. The mini-A plug, which indicates that this part is a host, has the ID pin grounded, while the ID in the mini-B plug is floating, indicating that this part will act as a device.

### Host Only

If the application supports only host mode, it is not necessary to include the ID line in the hardware. However, because it is a host the hardware must provide 5 V with enough current to supply the device side (when plugged). This voltage is typically provided by an external IC controlled by the MCU.

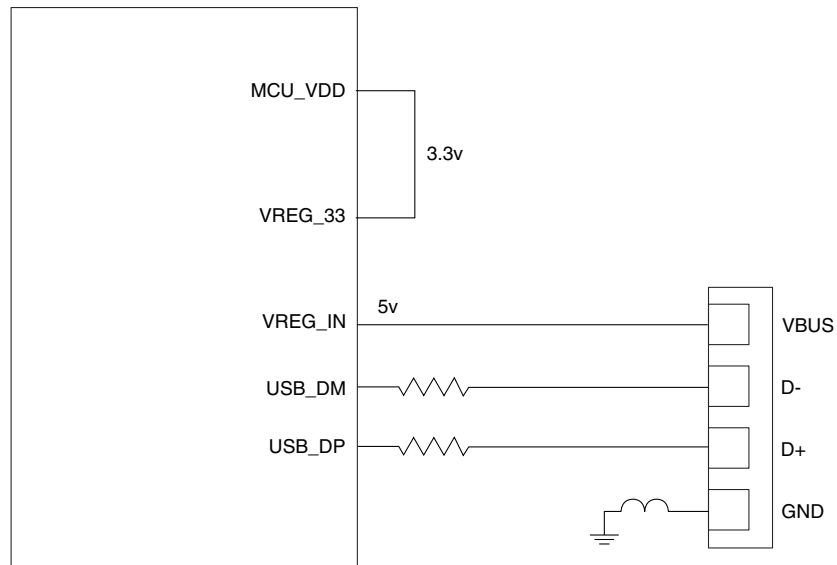


**Figure 15-8. Host only diagram**

### Device Only

In many cases the application just needs to communicate with an application running on a PC. In this case, the application running on the MCU supports only device mode. This application can be self-powered, using an external power supply, or bus-powered (powered from the 5 V coming from the host). In both cases, the USB regulator must be enabled to supply the USB transceiver. Also, the ID line is not needed in this scenario.





**Figure 15-9. Device only diagram**

## Dual Role

This mode is used when the application can be connected to a PC or is able to handle external USB devices, such as fingerprint readers, mice, USB flash drives, and so on. The application running on the MCU will be configured in device mode (not applying 5 V to the VBUS line) until the ID signals become low. This indicates that a host mode reconfiguration is needed, and 5 V is then applied to the VBUS signal using the external IC.

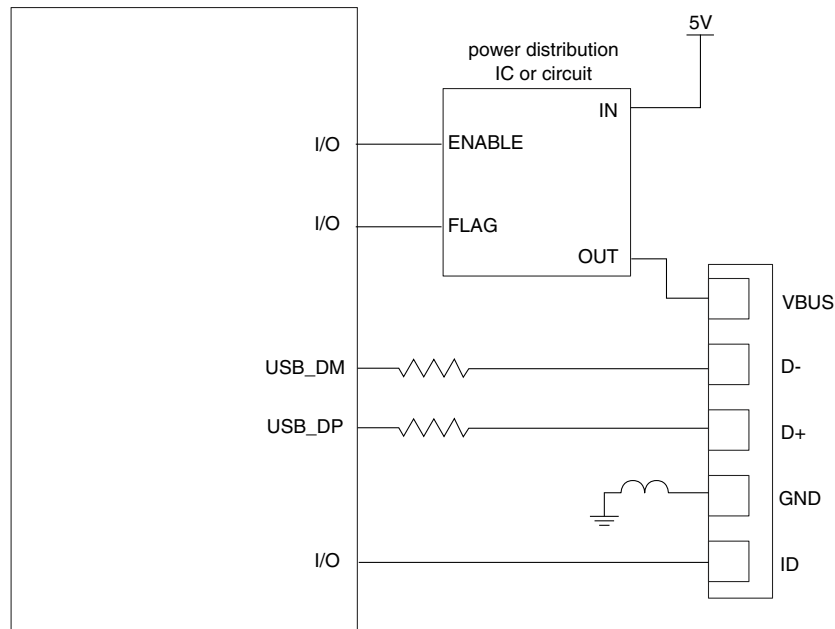


Figure 15-10. Dual role diagram

### 15.6.2 Components and placement suggestions

- The MCU does not include a signal for supplying the 5 V VBUS power for the USB. An external power management chip or discrete logic for enabling VBUS is required for the host operation.
- The power distribution circuit must have over-current detection capability to be compliant with the USB standard.
- The 33  $\Omega$  series termination resistors are recommended for the FS and LS USB transceiver. These series termination resistors must be placed as close as possible to the transceiver to maximize the eye diagram for the data lines.

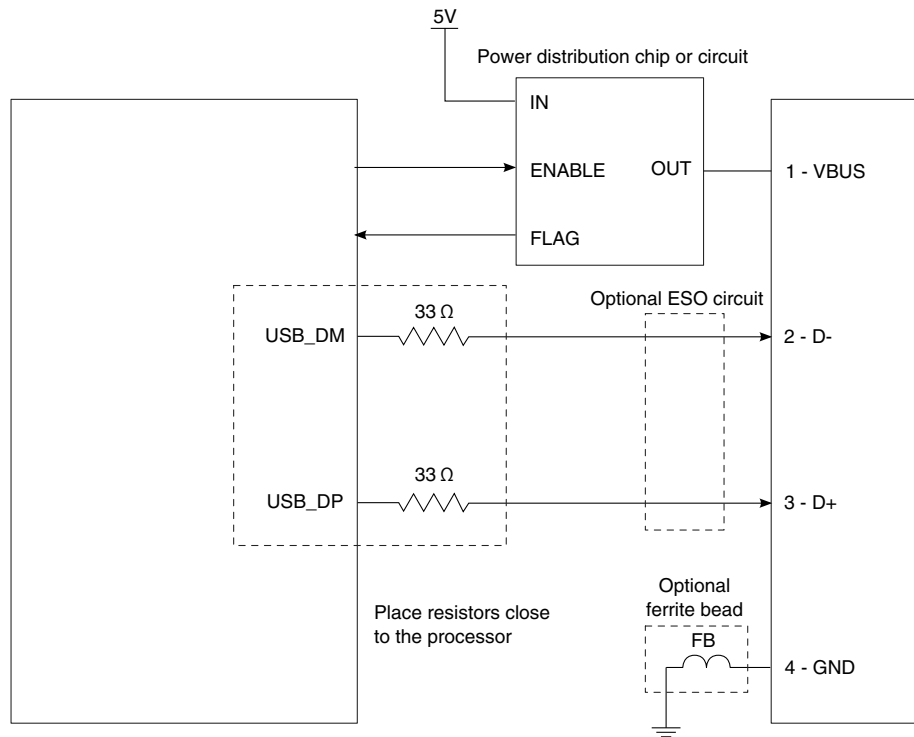


Figure 15-11. Components and placement

### 15.6.3 Layout recommendations

- Route the USB D+ and D- signals as parallel 90 Ω differential pairs.
- Match the trace lengths as closely as possible. Matching within 150 mil is a good guideline
- Try to maintain short trace lengths, not longer than 15 cm
- Avoid placing USB differential pairs near signals, such as clocks, periodic signals, and I/O connectors, that might cause interference.
- Minimize vias and corners.
- Route differential pairs on a signal layer, next to the ground plane.
- Avoid signal stubs

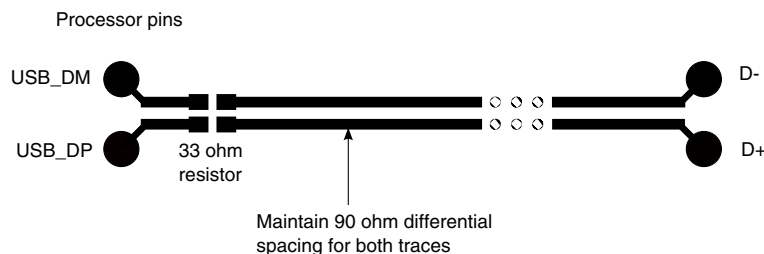


Figure 15-12. USB layout recommendations

## 15.7 Example Code

### NOTE

The example code included in this user guide is for demonstration purposes only. For general-purpose applications, please download Freescale USB stack with PHDC support or Freescale MQX Software Solutions from <http://www.freescale.com/usb>.

### 15.7.1 Device code

This demo is a simple echo terminal using the communication device class. The USB is recognized as a standard COM port that can be used for the HyperTerminal or any program that uses a serial port.

To run this demo it is necessary to have a 48 MHz frequency out of the USB clock. After the board is connected the PC requests a driver. Point to the Freescale\_CDC\_Driver\_kinetis.inf file to install the device on your computer. In the Device Manager window a Freescale CDC device will be found after the enumeration process is completed.

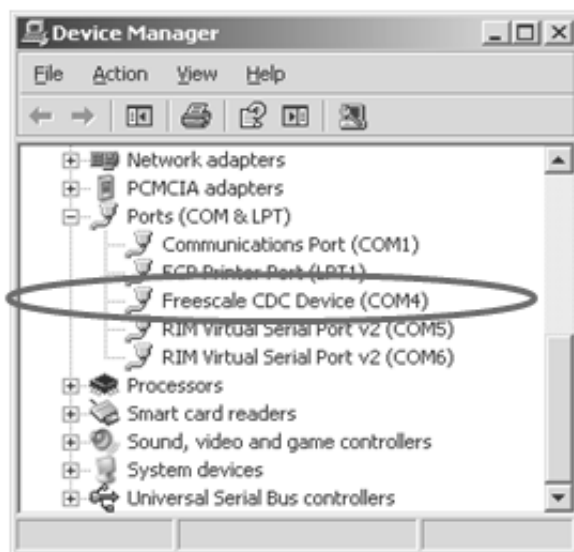
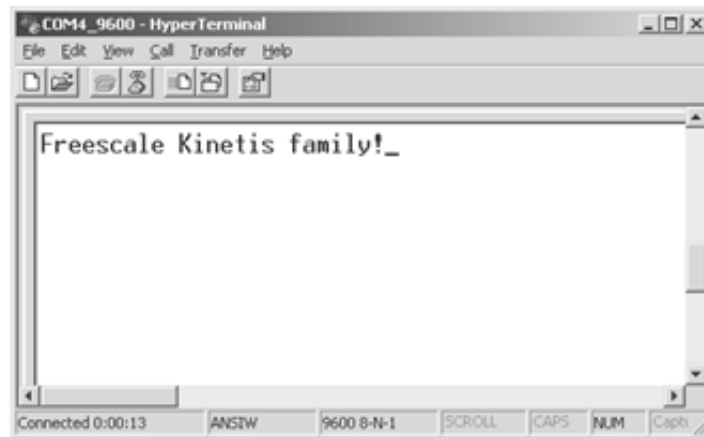


Figure 15-13. Windows device manager

Then open HyperTerminal pointing to the COMx device (in this case COM4) with 8-bit size, 1 stop bit, no flow control, 9600 baudrate, and begin typing in the terminal. The software running in the MCU returns the same characters.



**Figure 15-14. HyperTerminal window**

## 15.7.2 Host code

Host operation is more complex than the device in terms of software stack and task handling. However, it is less time-dependent because the application running in the MCU has control of the entire bus.

This example code basically enumerates an HID USB mouse and sends that information to a terminal using the serial port. It also reports all movements and button changes directly in the terminal.

To run this demo:

1. Connect one serial cable between the board and the PC.
2. Open a terminal console (8-bit, 1 stop bit, no flow control, 115200 baudrate).
3. Make sure that the jumper configuration is appropriate to supply 5 V through the USB port.
4. Run the application.

The application will send a message that it is waiting for an HID USB mouse to be attached.

```

COM1:115200baud - Tera Term VT
File Edit Setup Control Window Help

External Pin Reset

rev 0
Full size P-flash      128 kBytes of RAM

Main OK
Timer Init OK
USB HOST Init OK

USB HID Mouse
Waiting for USB Mouse to be attached...
    
```

**Figure 15-15. Host state before connecting USB mouse**

After this message appears, connect a USB mouse to the connector. Automatically a message will appear stating that a single device was connected and the type of device.

```

COM1:115200baud - Tera Term VT
File Edit Setup Control Window Help

Main OK
Timer Init OK
USB HOST Init OK

USB HID Mouse
Waiting for USB Mouse to be attached...
----- Attach Event -----
State = 0 Class = 3 SubClass = 1 Protocol = 2

Mouse device attached----- Interfaced Event -----
Mouse interfaced, setting protocol...
Mouse device ready, try to move the mouse
    
```

**Figure 15-16. USB mouse successfully enumerated**

Finally, move the mouse (or other pointing device) or press any button, and the status will be displayed in the terminal screen.

```

COM1:115200baud - Tera Term VT
File Edit Setup Control Window Help
Mouse device ready, try to move the mouse

Left Click
      Right Click
      Right Click
                Left
                        Down
                Right
                Right Down
                Right Down
                Right Down
                Right Down
                Right Down
                Right Down
                Right Down
    
```

Figure 15-17. Mouse events

### Code explanation

For USB host support the application needs to schedule BUS space for all the available devices on the USB bus. The code is a little complex to explain in this document, but this example code is based on the Freescale USB stack with Personal Healthcare Device Class (PHDC) support.

Documentation and API information is available on the Freescale website. the stack is free and is MQX (Freescale Real time operating system) compatible.

For more information regarding this demo, please visit: [www.freescale.com/medicalusb](http://www.freescale.com/medicalusb) .





# Chapter 16

## FlexCAN Module

### 16.1 Overview

This chapter will describe how to execute a quick start of the FlexCAN module for Kinetis MCUs.

#### 16.1.1 Introduction

The CAN protocol was primarily, but not only, designed to be used as a vehicle serial data bus, meeting the specific requirements of this field:

- Real-time processing
- Reliable operation in the EMI environment of a vehicle
- Cost-effectiveness
- Required bandwidth

The FlexCAN module is an advanced CAN protocol controller which is fully compliant with the CAN 2.0B specification. It also provides:

- Enhanced powerful message filtering mechanism
- Flexible message storage and transmission scheme
- Automatic response to remote frames
- Flexible transmit priority scheme
- Global timer synchronization
- Rich error indication
- Different low power modes
- Remote wakeup capability

It enables real-time communication over the CAN bus while minimizing processor intervention.

## 16.1.2 Features

In the FlexCAN module, each Mailbox (MB) is configurable as Rx or Tx, supporting standard and extended messages. Configuration of an MB begins the Transmit Process for a Tx MB or Receive Process for an Rx MB.

The Rx FIFO with six levels of MBs can be enabled when the CPU has slow response time to each received message. The ID filter table element can be configured for the Rx FIFO to accept only wanted messages.

FlexCAN also supports Individual Rx Mask configured per Mailbox or per Rx FIFO ID filter table element. With timer SYNC feature enabled, global network time can be synchronized by a specific message. When multiple messages are pending for transmission, the highest priority message is selected to be transmitted first. There are three types of transmission priority scheme suitable for all application needs:

- Lowest ID
- Lowest buffer number
- Highest local priority

Transmission of messages can be aborted per request in order to transmit a higher priority message. Remote request frames may be handled automatically by FlexCAN or by software. Low power modes are also supported. Other additional features are available — please refer to the device-specific reference manual.

## 16.2 Configuration examples

The SCI2CAN demo shows how to:

- Initialize the FlexCAN module
- Configure a message buffer for transmit and/or receive
- Read messages received in the interrupt service routine

The demo codes are SCI2CAN bridge demo and Rx FIFO demo. The bridge demo in the local node will send the character entered in the local HyperTerminal to the CAN loop-back node, which echoes it to the local node. The Rx FIFO demo will configure Rx FIFO ID filter table elements in format A to receive eight messages with specified identifiers, configure one MB as Rx MB, and send nine messages to the CAN loop-back node. The local node will print received messages as well as the recipient information on the HyperTerminal. The CAN loop-back node by default is the local node itself and can be configured as the remote node via macros. The CAN bit rate is 83.33k by default.

UART3 is used as the serial port to interface to HyperTerminal, and CAN1 is used to interface to the CAN bus. The HyperTerminal communication setup is:

- Baud rate: 115200
- Data: 8 bit
- Parity: None
- Stop: 1 bit
- Flow control: none

The example codes for SCI2CAN are available from the Freescale Web site [www.freescale.com](http://www.freescale.com).

## 16.2.1 FlexCAN initialization

Enable the clock to the FlexCAN module before accessing its registers.

The following steps are performed before initializing the FlexCAN module:

1. Initialize MCG and OSC to enable PLL and ERCLK.
2. Initialize the clock gating in SIM to enable clocks to the FlexCAN module(s) and the corresponding ports whose pins are to function as FlexCAN pins.
3. Configure the corresponding port pins for FlexCAN through port control.

### 16.2.1.1 Code example and explanation

The following code snippet shows how to enable ERCLK clock:

```
// Must enable ERCLK
OSC_CR |= OSC_CR_ERCLKEN_MASK;
```

Clock gating code for all ports and FlexCAN:

```
// Enable clocks to all ports for pin muxing configuration later
SIM_SCGC5 |= (SIM_SCGC5_PORTA_MASK
              | SIM_SCGC5_PORTB_MASK
              | SIM_SCGC5_PORTC_MASK
              | SIM_SCGC5_PORTD_MASK
              | SIM_SCGC5_PORTE_MASK );

if(isCAN0)
{
    SIM_SCGC6 |= SIM_SCGC6_FLEXCAN0_MASK;
}
else
{
    SIM_SCGC3 |= SIM_SCGC3_FLEXCAN1_MASK;
}
```

Configure NVIC to enable corresponding interrupts for FlexCAN:

## Configuration examples

```
// Configure NVIC to enable interrupts
if(isCAN0)
{
    NVICICPR0    = (NVICICPR0 & ~(0x07<<29)) | (0x07<<29);    // Clear any pending
interrupts on FLEXCAN0
    NVICISER0    = (NVICISER0 & ~(0x07<<29)) | (0x07<<29);    // Enable interrupts
for FLEXCAN0
    NVICICPR1    = (NVICICPR1 & ~(0x1F<<0)) | (0x1F);        // Clear any pending
interrupts on FLEXCAN0
    NVICISER1    = (NVICISER1 & ~(0x1F<<0)) | (0x1F);        // Enable interrupts
for FLEXCAN0
}
else
{
    NVICICPR1    = (NVICICPR1 & ~(0xFF<<5)) | (0xFF<<5);    // Clear any pending
interrupts on FLEXCAN1
    NVICISER1    = (NVICISER1 & ~(0xFF<<5)) | (0xFF<<5);    // Enable
interrupts for FLEXCAN1
}
```

Now configure pins for FlexCAN:

```
// Configure CAN_RX/TX pins muxed with PTE24/25 for FlexCAN1
PORTE_PCR24 = PORT_PCR_MUX(2) | PORT_PCR_PE_MASK | PORT_PCR_PS_MASK;    PORTE_PCR25 =
PORT_PCR_MUX(2) | PORT_PCR_PE_MASK | PORT_PCR_PS_MASK;
```

Now everything is ready, and it is time to initialize the FlexCAN step by step as shown below:

1. Make sure FlexCAN module is disabled (after reset, it is disabled).
2. Select clock source for FlexCAN by setting/clearing CTRL1[CLK\_SRC] bit.
3. Enable FlexCAN module by clearing MCR[MDIS] bit.
4. Wait until FlexCAN module is out of low power mode (MCR[LPM\_ACK] = 0).
5. Wait until FlexCAN goes into freeze mode (MCR[FRZ\_ACK] = 1).
6. Initialize other MCR bits as needed:
  - a. Enable the individual filtering per MB and reception queue features by setting MCR[IRMQ] bit.
  - b. Enable the warning interrupts by setting the MCR[WRN\_EN] bit.
  - c. Disable self reception by setting the MCR[SRX\_DIS] bit.
  - d. Enable the Rx FIFO by setting MCR[RFEN] bit.
  - e. Enable the abort mechanism by setting the MCR[AEN] bit.
  - f. Enable the local priority feature by setting the MCR[LPRIO\_EN] bit.
7. Configure baud rate and initialize CTRL1 & CTRL2 bits as needed.
  - a. Determine the bit timing parameters: PROPSEG, PSEG1, PSEG2, RJW.
  - b. Determine the bit rate by programming the PRESDIV field.
  - c. Determine the internal arbitration mode (LBUF bit).
8. Initialize the message buffers (MB) by executing transmit process for Tx MBs and receive process for Rx MBs.
9. Initialize the ID filter table if Rx FIFO was enabled.
10. Initialize the Rx Individual Mask Registers (RXIMRn) if individual Rx masking and queue is enabled (MCR[IRMQ]=1).

11. Enable the corresponding interrupts by setting required interrupt mask bits in IMASK $n$  register (for all MB interrupts), CTRL $n$  register (for Bus off & Error interrupts), and MCR register (for wakeup interrupt).
12. Negate the MCR[HALT] bit.
13. Wait till FlexCAN is out of freeze mode (MCR[FRZ\_ACK] = 0).

## 16.2.2 Receive process

FlexCAN requires three steps to configure an MB as an Rx MB to initiate a receive process.

### 16.2.2.1 Code example and explanation

The receive process to prepare a Rx MB is:

```
// Deactivate the rx MB for cpu write
pFlexCANReg->MB[iMB].CS = FLEXCAN_MB_CS_CODE(FLEXCAN_MB_CODE_RX_INACTIVE);
// Write ID
id2 = id & ~(CAN_MSG_IDE_MASK | CAN_MSG_TYPE_MASK);
if(id & CAN_MSG_IDE_MASK)
{
    pFlexCANReg->MB[iMB].ID = id2;
}
else
{
    pFlexCANReg->MB[iMB].ID = id2<<FLEXCAN_MB_ID_STD_BIT_NO;
}
// Activate the MB for rx
pFlexCANReg->MB[iMB].CS = FLEXCAN_MB_CS_CODE(FLEXCAN_MB_CODE_RX_EMPTY);
```

## 16.2.3 Transmit process

FlexCAN requires four steps to configure an MB as a Tx MB to initiate a transmit process.

### 16.2.3.1 Code example and explanation

The transmit process to prepare and start a Tx MB is:

```
// Follow 4 steps for Transmit Process
pFlexCANReg->MB[iTxMBNo].CS = FLEXCAN_MB_CS_CODE(FLEXCAN_MB_CODE_TX_INACTIVE)
// write inactive code
| (wno<<FLEXCAN_MB_CS_IDE_BIT_NO)
| (bno<<FLEXCAN_MB_CS_RTR_BIT_NO)
;
pFlexCANReg->MB[iTxMBNo].ID = (prio << FLEXCAN_MB_ID_PRIO_BIT_NO)
| ((msgID & ~(CAN_MSG_IDE_MASK|CAN_MSG_TYPE_MASK))<<i);
pFlexCANReg->MB[iTxMBNo].WORD0 = word[0];
```

## Configuration examples

```
pFlexCANReg->MB[iTxMBNo].WORD1 = word[1];
// Start transmit with specified tx code
pFlexCANReg->MB[iTxMBNo].CS = (pFlexCANReg->MB[iTxMBNo].CS
& ~(FLEXCAN_MB_CS_CODE_MASK))
| FLEXCAN_MB_CS_CODE(txCode) // write activate code
| FLEXCAN_MB_CS_LENGTH(iNoBytes);
```

## 16.2.4 Read message

Before reading the message content, it is necessary to lock the Rx MB. After reading the message content, unlock the Rx MB. Polling or interrupt method can be used to check an Rx MB to see whether it has received a message.

### 16.2.4.1 Code example and explanation

Here is a code example for checking the IFLAG1[MB] and reading the message from the Rx MB:

```
if(pFlexCANReg->IFLAG1 & (1<<iMB))
{
    // Read the Message content information
    // clear flag
    pFlexCANReg->IFLAG1 = (1<<iMB);
}
```

This code is used to read the message content:

```
// Lock the MB
code = FLEXCAN_get_code(pFlexCANReg->MB[iMB].CS);

length = FLEXCAN_get_length(pFlexCANReg->MB[iMB].CS);
//
format = (pFlexCANReg->MB[iMB].CS & FLEXCAN_MB_CS_IDE)? 1:0;
*id = (pFlexCANReg->MB[iMB].ID & FLEXCAN_MB_ID_EXT_MASK);
if(!format)
{
    // standard ID
    *id >>= FLEXCAN_MB_ID_STD_BIT_NO;
}
else
{
    *id |= CAN_MSG_IDE_MASK; // flag extended ID
}
format = (pFlexCANReg->MB[iMB].CS & FLEXCAN_MB_CS_RTR)? 1:0;
if(format)
{
    *id |= CAN_MSG_TYPE_MASK; // flag Remote Frame type
}
// Read message bytes
wno = (length-1)>>2;
bno = length-1;
if(wno>0)
{
    //
    (*(uint32*)pBytes) = pFlexCANReg->MB[iMB].WORD0;
    swap_4bytes(pBytes);
    bno -= 4;
    pMBData = (uint8*)&pFlexCANReg->MB[iMB].WORD1+3;
}
```



## Configuration examples

```
// Format B two IDs
*pIDTabElement = ((id & 0x03fff)<<(16+(1-bIsExtID)*3))
| (bIsExtID<<30) | (bIsRTR<<31); // RXIDB_0
i++;
if(i < nIDTab)
{
    id = idList[i] & ~(CAN_MSG_IDE_MASK | CAN_MSG_TYPE_MASK);
    bIsExtID = (idList[i] &
        CAN_MSG_IDE_MASK)>>CAN_MSG_IDE_BIT_NO;
    bIsRTR = (idList[i] &
        CAN_MSG_TYPE_MASK)>>CAN_MSG_TYPE_BIT_NO;
    *pIDTabElement |= ((id & 0x03fff)<<((1-bIsExtID)*3))
    | (bIsExtID<<14) | (bIsRTR<<15); // RXIDB_1
    i++;
}
}
```

### Example code for configuring ID table in Format C:

```
j = 0;
*pIDTabElement = (id & 0x00ff) << (24-(j<<3)); // RXIDC_0
i++;j++;
do{
    if(i < nIDTab)
    {
        id = idList[i] & ~(CAN_MSG_IDE_MASK | CAN_MSG_TYPE_MASK);
        bIsExtID = (idList[i] & CAN_MSG_IDE_MASK)>>CAN_MSG_IDE_BIT_NO;
        bIsRTR = (idList[i] & CAN_MSG_TYPE_MASK)>>CAN_MSG_TYPE_BIT_NO;
        *pIDTabElement |= ((id & 0x00ff) << (24-(j<<3)));
// RXIDC_1 .. RXIDC_3
        j++; i++;
    }
    Else
    {
        break;
    }
}while(j<3);
```



# Chapter 17

## Segment LCD Controller

### 17.1 Overview

This document explains how to use the segment LCD controller (SLCD) for the Kinetis family. It includes module initialization, power supply, clock source, load adjustment, frame frequency interrupts, and the use of features as blinking, alternate display, segment fault detection, and using the module on low power modes.

#### 17.1.1 Introduction

The segment LCD module (SLCD) generates all the waveforms required for an LCD. The SLCD module supports up to 64 pins. The K40 family implements up to 48 LCD pins. Eight of them can be configured as COM or backplane allowing control of up to  $8 \times 40 = 320$  segments.

The power supply for the LCD can be selected from different options depending on the LCD panel voltage, the application environment, and the way the contrast control is required. The SLCD has a charge pump that allows to control both 3 V and 5 V LCD panels.

Automatic blinking and the capacity to display two messages in alternate mode without refreshing the segments (when less than five backplanes are used) are available. These features can be used to simplify the code and reduce power consumption in low power modes.

Segment fault detection is now possible by measuring the capacitance in each pin of the LCD. The module measures the capacitance of each pin including cables, connector, and the LCD panel. A reference capacitance must be determined when the LCD is operating correctly and stored in the memory. While the product is operating, the capacitance can be compared periodically to verify if there's an open connection, short circuit, or a substantial change in the reference capacitance that indicates a fault.

## 17.2 Power supply

Table 17-1 shows power supply modes and suggests the use according to the environment and contrast control required.

**Table 17-1. SLCD power supply options**

Configuration	LCD Power Supply mode	LCD Nominal Voltage	Noisy Environment	Contrast Control	Advantages	Disadvantages
0	VLL1 to VIREG Voltage internal regulator (VIREG = 1.0 V) HREFSEL=0. Charge pump generates VLL2 and VLL3	3 V	Not recommended	Most recommended	VLLx voltages are fixed over a width range of VDD input voltage. The regulator voltage can be trimmed [RVTRIM] for software contrast control	Not recommend for noisy applications
1	VLL1 to VIREG HREFSEL=1 VIREG = 1.67V. Charge pump generates VLL2 and VLL3	5 V	Not recommended	Most recommended	VLLx voltages are fixed over a width range of VDD input voltage. The regulator voltage can be trimmed [RVTRIM] for software contrast control	Not recommend for noisy applications
2	VLL3 to VDD (internal connection). Charge pump generates VLL2 and VLL1	3 V	Most recommended	Not recommended	This configuration can be suitable for noisy application	Contrast Control is not possible
3	VLL3 driven externally (charge pump enabled). Charge pump generates VLL2 and VLL1, VDD must be 3V	3 V	Most recommended	Recommended	Allows external contrast control	This configuration is not suitable for 5 V LCD
4	VLL3 driven externally (voltage divider enabled). Resistor bias network generates VLL2 and VLL1. VLL3 connected to external voltage=3 V. Charge pump is disabled.	3 V	Most recommended	Recommended	Allows external contrast control. Because the Charge Pump is disabled, power consumption is reduced	Requires an external power supply, and it must be a variable. Contrast control is required. Not suitable for 5 V LCD
5	VLL2 to VDD (internal connection) VDD=2.0 V. Charge pump generates VLL3 and VLL1	3 V		Not recommended		VDD voltage must be in an appropriate range for a 3 V LCD
6	VLL2 to VDD (internal connection) VDD= 3.33 V. Charge pump generates VLL3 and VLL1	5 V		Not recommended		VDD voltage must be in an appropriate range for a 5 V LCD

### 17.3 Low power modes

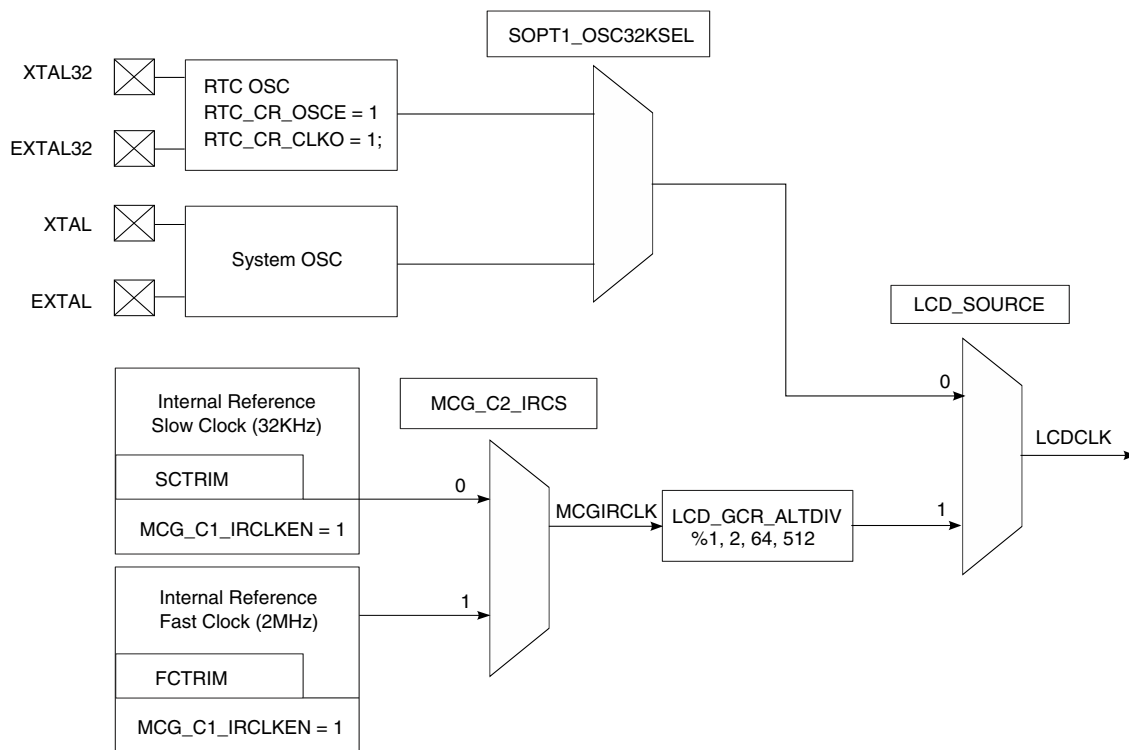
The SLCD module can function in any low power mode available in the Kinetis family. RUN, VLPR, STOP, VLPW, VLPS, LLS\*, VLLSx\*

**NOTE**

\* End of frame wakeup is not supported in the LLS and VLLSx modes.

### 17.4 Clock source

The SLCD module supports four different clock sources. See the [Table 17-2](#) and [Figure 17-1](#) below.



**Figure 17-1. SLCD clock source options on the K40 family**

**Table 17-2. LCD clock source options on the K40 family**

LCD Clock Source	LCD and System Configuration	Notes
32 kHz Internal Reference	SOURCE=1 ALTDIV=0 (%1) MCG_C1_IRCLKEN=1	Slow internal reference clock selected. See the Multipurpose Clock Generator (MCG) for more details.

*Table continues on the next page...*

**Table 17-2. LCD clock source options on the K40 family (continued)**

LCD Clock Source	LCD and System Configuration	Notes
	MCG_C2_IRCS=0 MCG_IREFSTEN = 1* MCG_C3_SCTRIM	
2 MHz Internal Reference	SOURCE =1 ALTDIV = 2(2 MHz%64) MCG_C1_IRCLKEN=1 MCG_C2_IRCS=1 MCG_IREFSTEN = 1* MCG_C4_FCTRIM	Fast internal reference clock selected. See Multipurpose Clock Generator (MCG) for more details.
System Clock	SOURCE=0 SOPT1[OSC32KSEL] = 0;	Crystal must be in the 32 kHz range. The system oscillator drives a 32 kHz clock to the SLCD, TSI, and LPT.
RTC oscillator / clock	SOURCE=0 SOPT1 [OSC32KSEL] = 1. RTC_CR_OSCE = 1; RTC_CR_CLKO = 1;	RTC oscillator drives a 32 kHz clock to the SLCD, TSI, and LPT. See RTC Oscillator Chapter and the RTC Clock Module.

## 17.5 Hardware considerations

### 17.5.1 General routing and placement

Minimize the trace length. Take advantage of any LCD pin that can be configured as FP or BP to reduce trace lengths, and routing of the LCD. Place the capacitors for the charge pump, VLL1, VLL2, and VLL3 as close as possible to the MCU.

## 17.6 EMC and ESD considerations

The charge pump can be sensitive in a noisy environment. Therefore, use the external voltage for the LCD reference (VLL3 to EXT V).

When the VLL3 is connected to 3.3 V either the charge pump or the bias resistor network can generate VLL1, and VLL2.

### 17.6.1 Code example and explanation

For LCD initialization and use of the SLCD module these steps must be followed:

1. Enable the SCLD clock gate SCGC3[SLCD] = 1 LCD clock gate enable
2. LCD analog operation for all used LCD pins, PORTx\_PCRn[MUX] = 0
3. Prepare and ensure that the LCD clock source is available.
4. Configure the NVIC. The SLCD interrupt vector in K40 is 102, the NVIC must be configured as follows:

```
NVICISER2 |= (1<<22);
```

```
NVICICPR2|= (1<<22);
```

#### 5. LCD General Control Register (GCR)

- a. Configure the LCD clock source (SOURCE bit).
- b. Select 1.0 V or 1.67 V for 3 V or 5 V glass (HREFSEL).
- c. Enable regulated voltage (RVEN).
- d. Trim the regulated voltage (RVTRIM).
- e. Enable charge pump (CPSEL bit).
- f. Configure charge pump clock (LADJ[1:0]).
- g. Configure LCD power supply (VSUPPLY[1:0]).
- h. Configure LCD frame frequency interrupt (LCDIEN bit).
- i. Configure LCD behavior in low power mode (LCDWAIT and LCDSTP bits).
- j. Configure LCD duty cycle (DUTY[2:0]).
- k. Select and configure LCD frame frequency (LCLK[2:0]).

#### 6. Enable pins to be used:

```
LCD_PENH, LCD_PENL
```

#### 7. Enable LCD pins to be used as BackPlanes:

```
LCD_BPENH, LCD_BPENL
```

#### 8. Configure the phase of the backplanes:

```
LCD_WFxTOy (used as backplanes)
```

#### 9. Configure the AR register

#### 10. Enable the LCD module

This is the code snippet for the SLCD initialization:

```
/* Code Snippet  SLCD Initialization */
//enable clock gate for Ports
SIM_SCGC5 |= (
    !SIM_SCGC5_LPTIMER_MASK
    | !SIM_SCGC5_REGFILE_MASK
    | !SIM_SCGC5_TSI_MASK
    | SIM_SCGC5_PORTA_MASK
    | SIM_SCGC5_PORTB_MASK
    | SIM_SCGC5_PORTC_MASK
    | SIM_SCGC5_PORTD_MASK
    | SIM_SCGC5_PORTE_MASK
);

//Master General Purpose Control Register - Set mux to LCD analog operation.
// After RESET these register are configured as 0 but indicated here for reference
PORTB_PCR0 = PORT_PCR_MUX(0); //LCD_P0
PORTB_PCR1 = PORT_PCR_MUX(0); //LCD_P1
PORTB_PCR2 = PORT_PCR_MUX(0); //LCD_P2
// Complete for all used pins

// Configure NVIC for SLCD interrupt  SLCD interrupt vector = 102
NVICICPR2|= (1<<22); //Clear any pending interrupts on LCD
NVICISER2|= (1<<22); //Enable interrupts from LCD interrupt

// SLCD clock gate on
SIM_SCGC3 |= SIM_SCGC3_SLCD_MASK;

// Disable LCD
LCD_GCR&= ~LCD_GCR_LCDEN_MASK;
```

```

// Configure LCD Control Register

LCD_GCR = (
    !LCD_GCR_RVEN_MASK
    | LCD_GCR_RVTRIM(8) //0-15
    | LCD_GCR_CPSEL_MASK
    | !LCD_GCR_HREFSEL_MASK
    | LCD_GCR_LADJ(3) //0-3
    | mBIT18
    | LCD_GCR_VSUPPLY(1) //0-3
    | LCD_GCR_LCDIEN_MASK
    | !LCD_GCR_FDICIEN_MASK
    | LCD_GCR_ALTDIV(0) //0-3
    | !LCD_GCR_LCDWAIT_MASK
    | !LCD_GCR_LCDSTP_MASK
    | !LCD_GCR_LCDEN_MASK
    | LCD_GCR_SOURCE_MASK
    | LCD_GCR_LCLK(3) //0-3
    | LCD_GCR_DUTY(7) //0-3
);

// Enable LCD pins 0-32
LCD_PENH = 0x00000001;
LCD_PENL = 0xFFFFFFFF;

// Enable LCD pins used as Backplanes 0-7
LCD_BPENH = 0x00000000;
LCD_BPENL = 0x000000FF;

// Configure backplane phase
LCD_WF3TO0 = 0x08040201;
LCD_WF7TO4 = 0x80402010;

// Fill information on what segments are going to be turned on. Front Plane information
LCD_WF11TO8 = 0xFFFFFFFF;
LCD_WF15TO12 = 0xFFFFFFFF;
// Complete information of all Front planes

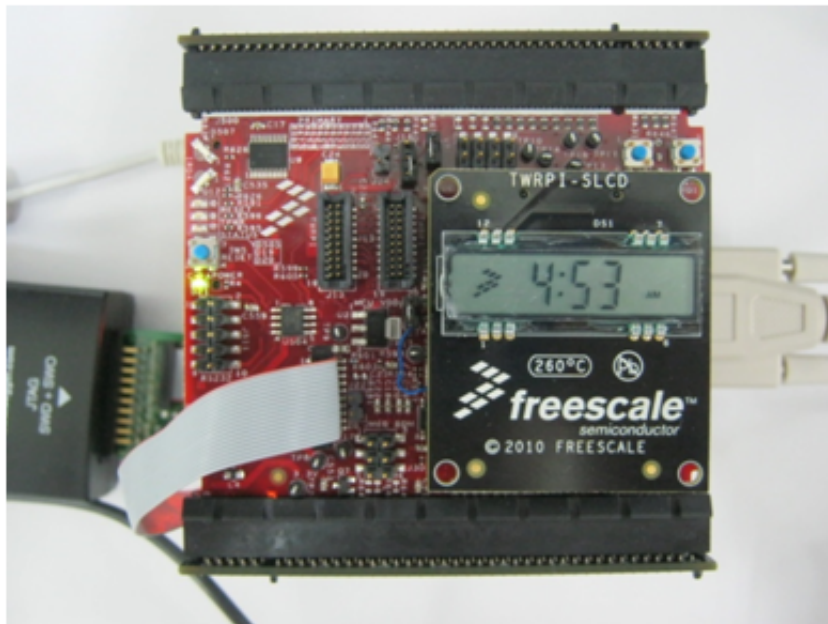
// Enable LCD module
LCD_GCR |= LCD_GCR_LCDEN_MASK;

```

## 17.7 Demonstration code

The demo code allows the user to experiment with the SLCD module in real time, write your own messages, control contrast, blinking, vertical scroll, experiment with the new LCD segment feature (fault detection), select the clock source for the module, work on LCD low power modes, change the frequency of operation, and so on.

The demonstration code is prepared for the TWR-K40, TWRPI-SLCD, and the communication board.



**Figure 17-2. Tower system with TWR-K40x256 and the TWRPI\_SLCD**

The segment LCD included in the TWRPI-SLCD has 3–7 segment characters, 7 special symbols, and uses 4 backplanes and 7 frontplanes.

To use this demo the TWR must be connected to a serial port with a terminal program configured to 115200,n,8,1. Commands are ASCII characters. The following table shows the commands and syntax.

**Table 17-3. List of commands**

Command	Description	Syntax
print	Print a message in the LCD	<message>
msgmode	Select the message mode: user, counter, time, temperature, and percentage	<cmd> user/counter/time/percentage
vScroll	Enable vertical scroll	<val> 0=Normal, +N=scroll down, -N=Scroll up (N=1-5);Not functional with a 7-seg Panel
symbol	Turn on and off “ x ” symbol	<val>:1 (FSL) 2(:) 3(°) 4(%) 5 (AM) 6 (PM) <cmd>: =on/off
segtest	Send a predefined pattern to the LCD	<>
faultDetect	Enable and disable LCD fault detection	<cmd> enable/disable/setref/status/measurall
trim	Read and set the regulator voltage trim value	<val> 0–15
blink	Turn on and off the blink. Enable alternate mode.	<cmd> on/off/alt/norm
blinkrate	Read and set blink rate	<val> 0–6
ladj	LCD load adjustment	<val> 0–3

*Table continues on the next page...*

**Table 17-3. List of commands (continued)**

Command	Description	Syntax
lclk	Change LCD clock prescaler	<val> 0-7 (resulting frequency must be in 28-58 Hz range)
pinmux	Select MUX 0(analog) and 7(Port PAD enable)	<val> 0, 7
PowerMode	Select power mode operation	<val> 0 Run, 1 wait, 2 stop
ClockSource	set LCD clock source	<val> 0=System Osc, 1=Def. RTC, 2 =ALT Int(32 kHz), 3=Int(2 MHz)
powersel	LCD power supply selection	<mode> VLL1_VIREG_HREF0, VLL1_VIREG_HREF1, VLL3_VDD, VLL3_EXT_CP, VLL3_EXT_BR, VLL2_VDD
help	Display the available commands and their syntax.	<>

### Fault detection example

To enable the Fault detection type in the following commands:

1. faultDetect setref
2. faultDetect enable
3. To generate a fault in any LCD pin, use a wire jumper from ground to the LCD pin
4. When a fault is detected it reports into the terminal.

### Alternate example:

To enable the alternate function type in the following commands:

1. printalt 1234
2. print 1789
3. blink on
4. blink alt



# Chapter 18

## Touch Sense Input (TSI) Module

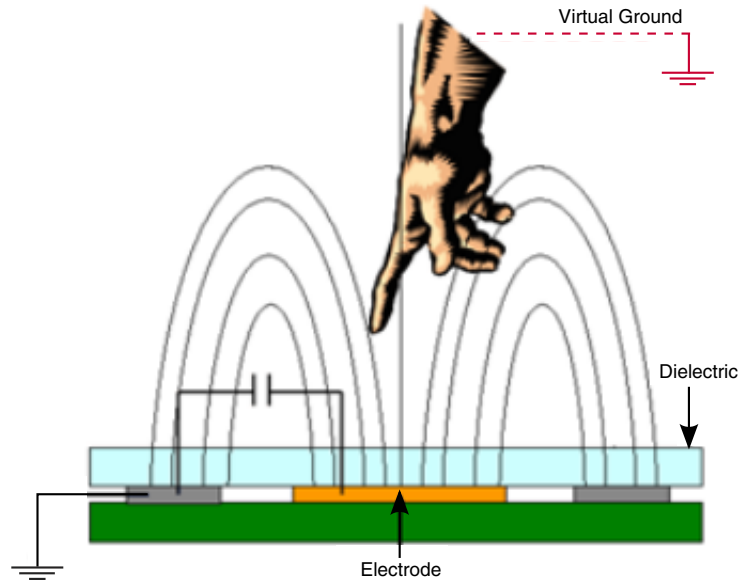
### 18.1 Overview

The Touch Sensing Input (TSI) module is designed to interface the MCU with capacitive touch sensing electrodes to easily implement advanced user input controls. The TSI module includes hardware that is able to drive touch sensing electrodes (or capacitors, created by flat conductive areas) providing robustness above traditional GPIO-based RC measurements and logic that automatically scans up to 16 electrodes, measures and outputs the results, and generates interrupt signals to the CPU.

### 18.2 Introduction

Capacitive touch sensing has become one of the de-facto input technologies for user input in Human-Machine Interfaces (HMI). It now has a place in all types of markets, from industrial control panels to portable consumer devices. Though capacitive touch sensing is not the only touch sensing method, it is one of the most common and most practical to implement.

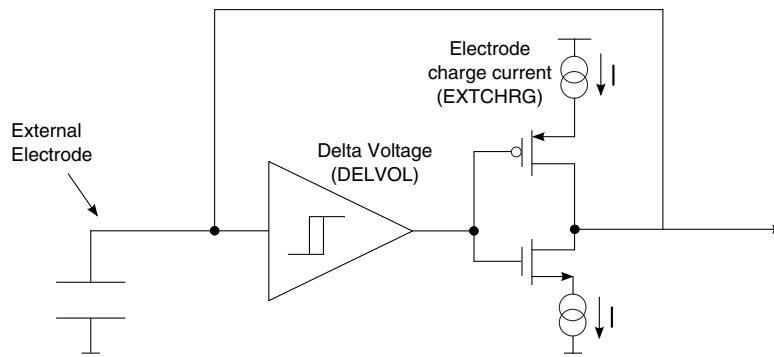
The basic element in capacitive touch sensing is the electrode. In this case, the electrode is an area of conductive material with dielectric material on the top, usually plastic or glass. This is what the user touches. This conductive area plus the dielectric material effectively creates a capacitor referenced to the system ground. By touching the dielectric on top of the electrode, the user effectively changes the electrode capacitance both by adding a second conductive area that is grounded (the conductive part of the finger) and by increasing the dielectric of the original capacitor. The sensor (in this case, the TSI module) uses a capacitive sensing method to measure changes in the electrode capacitance.



**Figure 18-1. Capacitive touch sensing electrode model**

A common measurement method for capacitive touch sensing is the RC method. In this method a large pullup resistor (approximately 1 MΩ) is connected to each electrode. The processor or sensing ASIC measures the time it takes the electrode (or capacitor) to become charged, when a finger approaches the electrode, the capacitance increases and so does the charging time, this charge time change is considered a touch. The problem with this method is the pullup. It is a weak pullup, and thus susceptible to external noise.

The TSI uses a different measurement method. It has two constant current sources, one for charging and the other for discharging the electrode. This creates a triangular wave. This wave has a configurable peak to peak voltage or delta voltage. Observe [Figure 18-2](#). It shows the electrode current source oscillator structure.



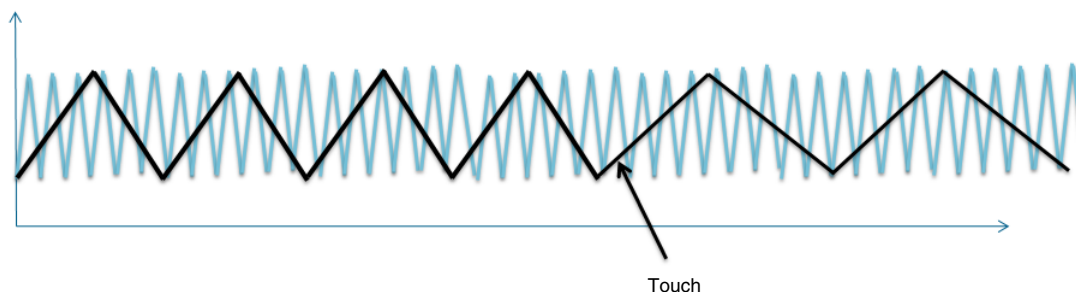
**Figure 18-2. TSI Electrode current source oscillator**

The time the electrode takes to charge is directly proportional to the current source output and the size of the capacitor per the following formula:

$$F_{\text{elec}} = \frac{I}{2 * C_{\text{elec}} * V}$$

**Figure 18-3. TSI electrode frequency formula**

The TSI measures the length of the charging time with a reference oscillator. To increase the robustness of the measurement, the TSI relies on an internal oscillator similar to the one shown above, but with an internal capacitor instead of an external electrode. The reason to do this (as opposed to counting bus clock cycles) is that the current sources in the internal oscillator are part of the same silicon as the external electrode oscillator. When the output drifts because of temperature or voltage changes, both oscillators change, making the final touch detection compensated. When configuring, TSI users must make sure to have the reference oscillator oscillate faster than the external oscillator, this causes more reference counts per electrode oscillation. More counts (or more resolution) allow more headroom for touch detection and noise rejection. [Figure 18-4](#) shows the relationship between internal and external oscillations with or without touch.



**Figure 18-4. Internal reference oscillations vs. external reference oscillations**

Notice how the frequency becomes slower when a finger touches the electrode and how more reference oscillations (blue) fit into one electrode (black) oscillation.

### 18.3 Features

The TSI module includes several features designed to simplify touch sensing as well as add versatility and performance:

- Capacitive touch sensing detection across all low power modes
- Automatic periodic scan or software triggered single scan.
- Low power mode current adder can be < 1  $\mu\text{A}$ .

- 16 input capacitive touch sensing pins, each with individual result registers
- Automatic detection of electrode capacitance changes with programmable upper and lower threshold (for each electrode).
- TSI interrupt end of scan—Interrupt after scanning all electrodes once.
- Electrode short—Detects when electrode is shorted to  $V_{DD}$  or  $V_{SS}$ .
- Conversion overrun—If the conversion time of electrodes goes above scan period.

### NOTE

This feature will be available in the second mask of the TSI.

These features enable the following special characteristics:

- No external components needed, the pin can be directly connected to an electrode (a series resistor can be used to limit the current that might flow into the pin in case of an ESD event, but it is not necessary).
- Single pin-per-electrode architecture.
- Operation of 16 electrodes on run modes and 1 wake-up electrode in all low power modes
- Automatic touch event interrupt from any of the electrodes.
- External and reference oscillator subject to the same temperature variation so calibration thresholds are compensated, no touch detection variations over temperature range.
- Number of scan can be configured for faster response time or for higher resolution.
- Current sources are far more robust than external weak pull-ups used in traditional GPIO measurement methods.

## 18.4 TSI configuration

All use cases for the TSI module refer to using capacitive electrodes as touch sensors. For further information on using touch sensors and HMI see application notes titled *How to Implement a Human Machine Interface Using the Touch Sensing Software Library* (document number AN3934) and *Designing Touch Sensing Electrodes* (document number AN3863) at the Freescale webpage [www.freescale.com/touchsensing](http://www.freescale.com/touchsensing).

There are three modes of operation that must be considered when configuring the TSI. The three modes are used in most applications:

- Continuous active mode
  - All enabled electrodes are scanned continuously
  - Scanning period is determined by SMOD register
  - Ideal for scanning once the application is in run mode
- Software triggered active mode
  - All enabled electrodes are scanned once

- No scanning period as scan is run only once
- Ideal for scanning initially. For example, when the initial baseline values for the electrodes are determined
- Continuous low power mode
  - Only one electrode is continuously scanned.
  - Single enabled electrode can be used to wake-up the system from low power mode.
  - Scanning period is independent from the active mode scanning period.
  - Enabled when the MCU goes into low power mode if the STPE bit is set.
  - Usually a much slower scanning period is used in low power mode, this further reduces power consumption.

#### Configuration tips:

- Enable the TSI clock gate before reading or writing TSI registers.
- Initialize with the module disabled (TSIEN = 0).
- When a configuration change is needed make sure the module is not scanning (SCNIP = 0). It is not necessary to disable the module, go into software triggered mode and wait for the current scan to finish.
- Clear any pending flags (error, overrun, out of range, or end of scan) before enabling interrupts.

#### The following is a typical TSI initialization:

```
//Enable clock gates
SIM_SCGC5 |= (SIM_SCGC5_TSI_MASK);
SIM_SCGC5 |= (SIM_SCGC5_PORTA_MASK);
PORTA_PCR4 = PORT_PCR_MUX(0); //Enable ALT0 for portA4

//Configure the number of scans and enable the interrupt
TSI_GENCS |= ((TSI_GENCS_NSCN(10)) | (TSI_GENCS_TSIIE_MASK) | (TSI_GENCS_PS(3)));
TSI_SCANC |= ((TSI_SCANC_EXTCHRG(3)) | (TSI_SCANC_REFCHRG(31)) |
              (TSI_SCANC_DELVOL(7)) | (TSI_SCANC_SMOD(0)) | (TSI_SCANC_AMPSC(0)));

//Enable the channels desired
TSI_PEN    |= (TSI_PEN_PEN5_MASK | TSI_PEN_PEN7_MASK |
              TSI_PEN_PEN8_MASK | TSI_PEN_PEN9_MASK);
TSI_THRESHLD5 = (uint32)((TSI_CHAN5_OFFSET));
TSI_THRESHLD7 = (uint32)((TSI_CHAN7_OFFSET));
TSI_THRESHLD8 = (uint32)((TSI_CHAN8_OFFSET));
TSI_THRESHLD9 = (uint32)((TSI_CHAN9_OFFSET));

//Enable TSI module
TSI_GENCS |= (TSI_GENCS_TSIEN_MASK); //Enables TSI
```

#### Steps taken to enable the module:

1. Enable clock gates—Both the TSI and the PORTA clock gates are enabled. PORTA clock gate is enabled because TSI channel 5 is shared with PORTA 4. This pin does not have the TSI as a primary function. It is necessary to change the pin function to the TSI with the multiplexing bits in the PORTA pin control register (PCR). All other TSI pins are enabled by default.

2. Configure the general control and status register (GENCS)—Configure the number of scans, prescaler (which is a multiplier for the number of scans). Additionally, it is possible to enable the continuous scan mode (STM bit) as well as TSI interrupts, error detection, low power mode and whether the end of scan or out of range interrupts are requested. When using low power modes it is also important to define what low power reference clock is used (LPCLKS) and the scanning interval for low power mode (LPSCNITV).
3. Configure the scan control register (SCANC)—Allows you to define the current that charges the electrodes and the internal reference (EXTCHRG and REFCHRG) as well as the delta voltage (DELVOL) that is applied to both. The other critical configuration for SCANC is the scanning period, which is dependent on the active mode clock (AMCLKCS), the clock prescaler (AMPSC), and the clock modulo (SMOD). An internal counter counts the number of reference clock cycles as they are output from the prescaler to the SMOD value. If SMOD is configured as zero, the module scans continuously without stopping after an end of scan.
4. Configure the pin enable register (PEN)—The 16 lowest bits of this 32-bit register enables each of the electrodes in active mode. The low power mode scanning electrode is configured with bits 16 to 19.
5. Configure the thresholds (THRESHLDx)—These registers configure each the low and high 16-bit thresholds for the 16 electrodes. The low 16 bits configure the high threshold, and the high 16 bits configure the low threshold. The high threshold sets the OTRGF bit when the capacitance measurement goes above that value and the low threshold sets it when the capacitance goes below that value. The most common use case is to use these as an alarm for drastic changes to the capacitance or to wake-up the module from low power mode.
6. Enable the TSI module (TSIEN)—Enabling the module is relinquished to the end of the configuration, after everything else is set.

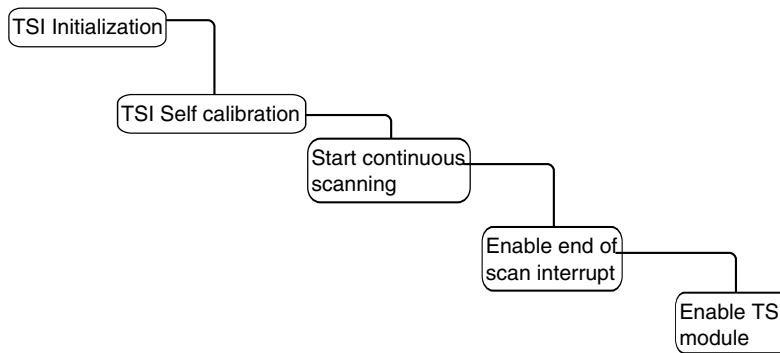
### 18.4.1 Configuration Example

The following example uses the four electrodes from the Kinetis Tower board. The application detects touches. These touches turn on and off the LEDs below the electrodes. Baseline is not tracked but measured initially and assumed to be constant. Baseline tracking is critical in applications where the environment is susceptible to change. Because this example is intended to be simple, baseline tracking has not been implemented.

The most relevant part of initialization is enabling the module after configuration. In this application, after initial configuration the `TSI_SelfCalibration()` is called. This function performs a single scan at the beginning of the program to determine a baseline or "untouched" value for the electrodes. In this application the baseline value and the touch

value are stored in separate data arrays. The touch value is equal to the baseline value of each electrode plus a delta value. This delta value must be below the touch value, but above the noise level of the untouched electrode. By debugging, an ideal delta value is determined. It is always best to keep this delta value as high as possible, but low enough that all touches are detected.

Notice that the `TSI_SelfCalibration()` function performs a single scan and waits for the scan to finish and the values to be updated in the registers. The calibration function also disables the TSI module afterwards, so that the following code enables the module as needed. During application time, the TSI is interrupt driven. See [Figure 18-5](#) :



**Figure 18-5. Application start-up procedure**

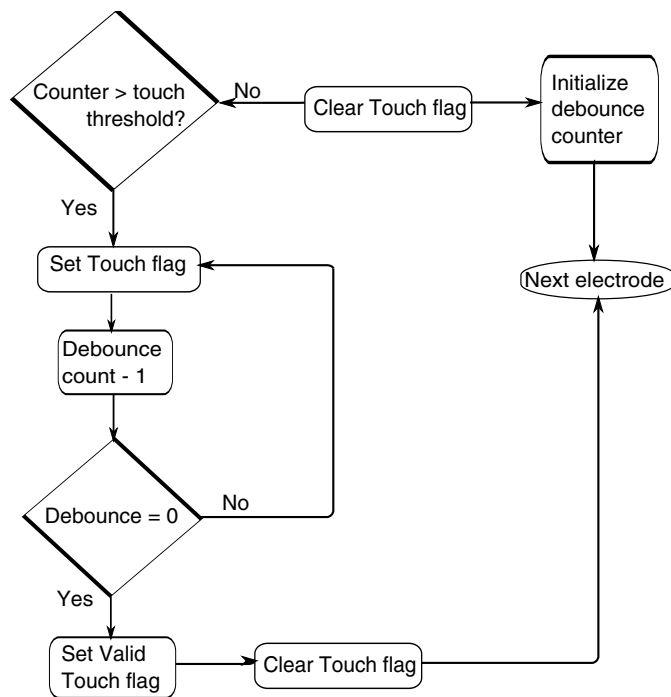
This application is specifically designed to show the small amount of code and CPU resources that are required to track touches with the TSI. For advanced HMI functionality Freescale provides the Touch Sensing Software (TSS) library free of charge. This library provides, basic touch sensing, and advanced API for HMI functions like multiple key detection, grouping of controls like keypads, sliders, and rotaries. It also implements advanced filtering and automatic baseline tracking, providing further robustness to the measurements. Also, included is the standard GPIO-based sensing method, if 16 electrodes are not enough, GPIO pins can be used to provide even more touch sensors. For more info on the TSS library and downloads visit [www.freescale.com/touchsensing](http://www.freescale.com/touchsensing).

### 18.4.1.1 Code Example and Explanation

After initialization, in the [TSI configuration](#) the next step is to detect touches. As can be seen in the figure, the end-of-scan interrupt is used. At each end of scan the interrupt subroutine is called by the TSI module and all post processing is done in the ISR. There is no baseline tracking, baseline is assumed to be constant and this way the main algorithm to implement is debouncing. Debouncing is the process of validating that a button push or in this case, a touch, is valid. Debouncing is something that needs to be done even in standard mechanical keyboards or buttons. In mechanical buttons electrical

disturbances caused by the two metal contacts approaching may cause more than one button press event to be logged or detected. In capacitive touch sensors, as the finger approaches the electrode, capacitance varies, the same as with mechanical buttons. Variations in capacitance due to finger approaching or moving away may falsely trigger more than one touch.

Debouncing code can be read in the QRUG application code. [Figure 18-6](#) shows a flow diagram that explains the debouncing algorithm.



**Figure 18-6. Debounce algorithm flowchart**

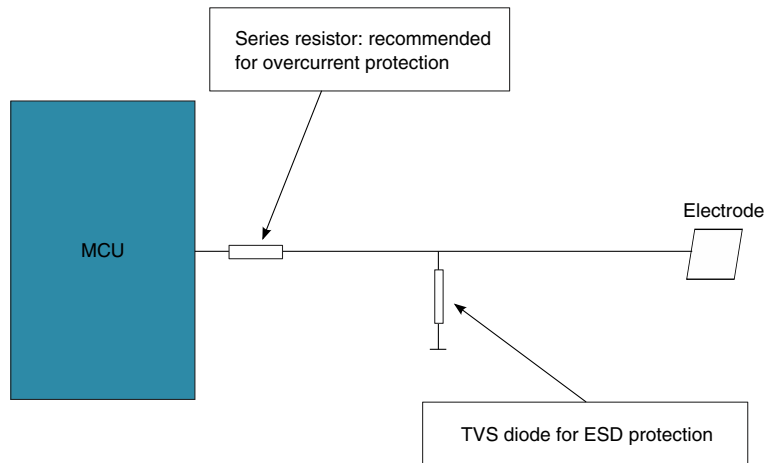
The interrupt subroutine is also in charge of checking if the "ValidTouch" flag was enabled after debouncing for each of the four electrodes and toggling the appropriate LED. The `DBOUNCE_COUNTS` macro can be found in the `TSI.h` file. This value defines how many scans with the capacitance above the touch threshold are needed for a touch to be considered valid. This value can be modified to suit the specific needs of different applications and electrode sizes.

## 18.5 TSI hardware implementation

The critical external component for the TSI is the electrode. Electrodes are flat conductive areas that can be etched into a PCB or drawn with conductive inks on plastic or crystal. With the GPIO measurement method an external pullup resistor is needed. In the case of the TSI, the electrode charge is driven by the current sources, therefore there



is no need for an external pull-up resistor. In certain applications where conducted emissions or ESD is a concern, external protective components can be added. The idea is to use only a transient voltage suppression (TVS) diode designed for ESD suppression and a low value (100 - 470  $\Omega$ ) resistor as protection for current that might flow into the MCU.



**Figure 18-7. ESD and overcurrent protection design**

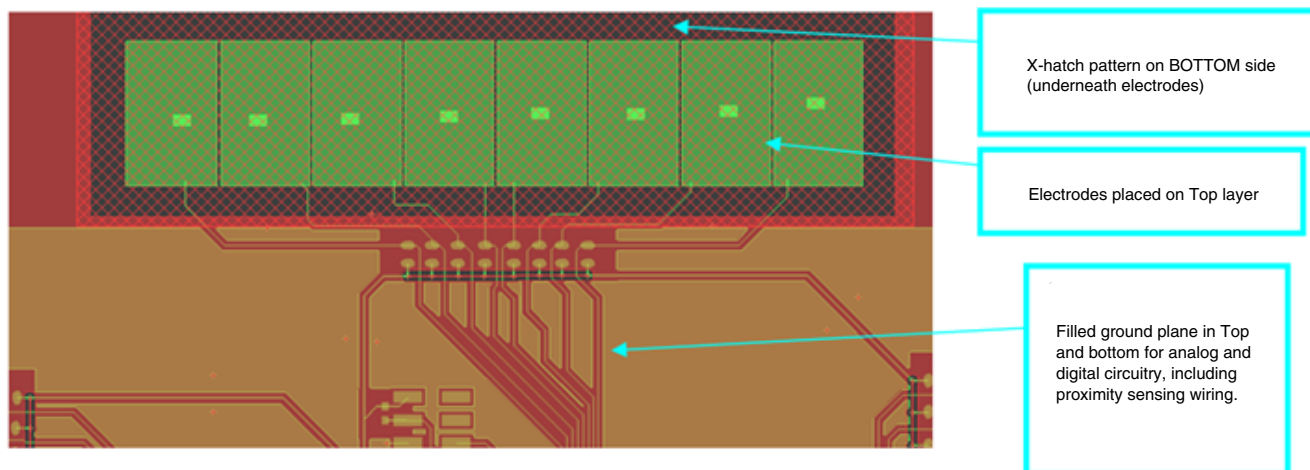
For further information on designing electrodes and in-depth considerations on hardware and electrode design, search for application notes *Designing Touch Sensing Electrodes* (document AN3863) at [www.freescale.com/touchsensing](http://www.freescale.com/touchsensing)

### 18.5.1 PCB Routing and Placement

The following list includes the most important things to consider when designing touch sensing electrodes for the TSI:

1. Trace width—Keep the trace width as thin as possible. 5-7 mil traces are recommended. The wider the traces the more base capacitance.
2. Clearance—Leave a minimum clearance of 10 mil. At the trace connection to the MCU, the pitch is lower than 10 mil, therefore use bottleneck mode.
3. Keep trace length as short as possible. As traces becomes longer the baseline capacitance increases and is also more susceptible to coupled noise.
4. Electrode traces must be routed in a different layer from the one containing the electrodes.
5. Components and traces must not be placed directly underneath the electrodes area. Good results can be obtained if the number of components behind the electrodes is minimized and running as few traces as possible.

It is always important to consider ground planes. A ground plane below and around the electrodes adds noise suppression and a reference ground for the electrodes. The problem is that a continuous ground plane below the electrodes also increases the base capacitance, causing the touch delta to be reduced. To work around this issue, an x-hatch ground plane is recommended as in [Figure 18-8](#). The x-hatch pattern helps with filtering out noise. Because the area is smaller, it will not increase the base capacitance as much as a continuous plane and thus does not affect sensitivity as much.



**Figure 18-8. Recommended x-hatch ground plane pattern**

# Chapter 19

## Using Peripheral Delay Block (PDB) to Schedule Analog to Digital Converter (ADC) Conversions

### 19.1 Overview

This chapter will demonstrate how to use the PDB module to schedule and perform ADC conversions of the analog voltage available from the on-board demonstration potentiometer. The application will sense the potentiometer control and report it over the serial port.

The code example shows how to:

- Make a low-level driver for the ADC
- Configure the ADC for averaging a single-ended voltage conversion
- Use the bus clock to clock the ADC
- Use a simple exponential filter on the averaged results
- Have the ADC conversions scheduled at time intervals determined by the PDB module

Calibration of the ADC is also illustrated.

#### 19.1.1 Introduction

Timing of ADC conversions relative to system events is a key to applications, such as motor control, and metering, requiring timing of ADC conversions for the best time to get a noise-reduced reading.

When the Kinetis MCU is acting as a controller, it will output control changes from time to time. Scheduling ADC conversions around these changes, which may make transient disturbances in the system, is key.

Scheduling the ADC conversions at a time after the transient effects of the last control change has been made can enable smooth operation of control loops. The PDB allows simple scheduling of one or both of the ADC peripherals conversions.

In this example, both ADC's will be scheduled, but only the results from ADC1, connected to the onboard potentiometer on channel 20, will be used to report the control input.

For this demonstration the PDB timers are set to intervals long enough to easily observe the timing on an onboard LED, after which a message summarizing the readings is presented. The messages will be filtered such that if no significant change in the potentiometer is made, no report will be issued.

## 19.1.2 Features

The ADC features demonstrated by the `adc_demo` example code include:

- Simple calibration of the ADC:

A simple driver for the ADC, which facilitates using both ADCs and their calibration with minimal software, is included in the `adc_demo` example code. Prior to taking the first measurement, during the initialization of the demo project the ADC will be calibrated. The use of the driver of the ADC will simplify this. While the ADC can be used prior to calibration for conversions, the calibration of the ADC enables it to meet its specifications.

- Averaging by 1, 4, 8, 16, or 32:

The ADC's ability to average up to thirty-two conversion values prior to ending the conversion process and generating a result will be demonstrated. This feature reduces CPU load; it also reduces the effect of a noise spike on any readings. It is a simple arithmetic averaging of thirty-two (or less if so configured) ADC conversions. These conversions are taken upon the PDB triggering the ADC.

- The ADC's interrupts:

The interrupt feature of the ADC is also used in the example. In the Interrupt Service Routine (ISR) for ADC1, a digital filter is placed. It filters the two inputs from ADC1, both (see next section) connected to the POT, on every PDB cycle. This very fast and simple exponential filter is included in the interrupt service routines of ADC1 for illustration of how to smooth readings with minimal MCU cycle count. It is implemented in only two lines of C code, with no looping. This filter is optional and can be used with or without the averaging feature of the ADC itself. In the example, both are used for increased smoothness of result.

- Hardware triggering of the ADC with the PDB:

The ADC module works with the PDB to trigger the ADC's conversions. The ADC trigger to convert is based on configuration choices. In this case the ADC will be configured to be triggered only by the PDB. The PDB will be triggered by the application software using an instruction to start its timed sequence of conversions. Once it does this, it will trigger each conversion in sequence based on its configurable timers. It will repeat each time its counter wraps, starting another cycle of conversions of both ADC0 and ADC1. Only the readings from ADC1 will be filtered and displayed as POT.

- 16-bit resolution:

The conversion results in this example are 16 bit unsigned.

- Differential or single-ended:

Single-ended mode is illustrated in this example.

## 19.2 Configuration example

In this case the ADC is configured simply to read and average singled ended inputs. The ADC0 inputs are not connected to anything of interest for this demo, but are just demonstrated to function. ADC1, both when using the "A" registers, and when using the "B" registers, is configured for channel 20 which matches with the onboard potentiometer. This means that of the four conversions scheduled, two are for ADC1. And, both of the ones for ADC1 are on channel 20, which is K2, which is the POT. The ADCs are configured to be triggered by the PDB and the PDB is configured to output four triggers each PDB cycle. ADC0 is activated in this case, but also not connected to the POT. It is also triggered by the PDB; however, its readings do not contribute to the digital filter resulting in the fifth output of the demonstration program, POT reading.

### 19.2.1 PDB-triggered single-ended ADC conversions

There are several steps taken in the course of the execution of this demo, involving setting up the peripherals. These steps are further detailed with code from the `adc_demo` project and explained in the sections that follow, numbered after the manner of the steps:

1. Turn on clocks to the ADC and PDB module using the SIM module.
2. Configure System Integration Module for defaults as far as ADC.
3. Configure the Peripheral Delay Block (PDB).
4. Determine the configuration the ADC using a structure to store the desired configuration.
5. Use the ADC driver to send the desired configuration to the ADC's.

## Configuration example

6. Calibrate the ADCs in the configuration in which they will be used and then restore the desired configuration.
7. Enable the ADC and PDB interrupts in NVIC.
8. Software trigger the PDB. The PDB will then start triggering the ADC as it times the intervals.
9. Handle the PDB, ADC0, and ADC1 interrupts.

### 19.2.1.1 Turn on ADC and PDB clocks

Example Code from the adc\_demo project:

Clocks need to be turned on to the ADC and PDB using the SIM module:

```
// Turn on the ADC0 and ADC1 clocks as well as the PDB clocks to test ADC triggered by PDB
SIM_SCGC6 |= (SIM_SCGC6_ADC0_MASK );
SIM_SCGC3 |= (SIM_SCGC3_ADC1_MASK );
SIM_SCGC6 |= SIM_SCGC6_PDB_MASK ;
```

### 19.2.1.2 Configure System Integration module for ADC defaults

```
SIM_SOPT7 &= ~(SIM_SOPT7_ADC1ALTTRGEN_MASK | // selects PDB not ALT trigger
              SIM_SOPT7_ADC1PRETRGSEL_MASK |
              SIM_SOPT7_ADC0ALTTRGEN_MASK | // selects PDB not ALT trigger
              SIM_SOPT7_ADC0ALTTRGEN_MASK) ;
SIM_SOPT7 = SIM_SOPT7_ADC0TRGSEL(0); // applies only in case of ALT trigger, in which
case
// PDB external pin input trigger for ADC
SIM_SOPT7 = SIM_SOPT7_ADC1TRGSEL(0); // same for both ADCs
```

### 19.2.1.3 Configure Peripheral Delay Block (PDB)

```
// Configure the Peripheral Delay Block (PDB):
// enable PDB, pdb counter clock = busclock / 20 , continuous triggers, sw trigger , and use
prescaler too
PDB_SC = PDB_SC_CONT_MASK // Continuous, rather than one-shot, mode
| PDB_SC_PDBEN_MASK // PDB enabled
| PDB_SC_PDBIE_MASK // PDB Interrupt Enable
| PDB_SC_PRESCALER(0x5) // Slow down the period of the PDB for testing
| PDB_SC_TRGSEL(0xf) // Trigger source is Software Trigger to be invoked in
this file
| PDB_SC_MULT(2); // Multiplication factor 20 for the prescale divider for
the counter clock
// the software trigger, PDB_SC_SWTRIG_MASK is not
triggered at this time.

PDB_IDLY = 0x0000; // need to trigger interrupt every counter reset which happens when
modulus reached

PDB_MOD = 0xffff; // largest period possible with the selections above, so slow you can
see each conversion.

// channel 0 pretrigger 0 and 1 enabled and delayed
PDB_CH0C1 = PDB_CH0C1_EN(0x01)
```

```

    | PDB_CH0C1_TOS(0x01)
    | PDB_CH0C1_EN(0x02)
    | PDB_CH0C1_TOS(0x02) ;

PDB_CH0DLY0 = ADC0_DLYA ;
PDB_CH0DLY1 = ADC0_DLYB ;

// channel 1 pretrigger 0 and 1 enabled and delayed
PDB_CH1C1 = PDB_CH1C1_EN(0x01)
    | PDB_CH1C1_TOS(0x01)
    | PDB_CH1C1_EN(0x02)
    | PDB_CH1C1_TOS(0x02) ;

PDB_CH1DLY0 = ADC1_DLYA ;
PDB_CH1DLY1 = ADC1_DLYB ;

PDB_SC = PDB_SC_CONT_MASK           // Continuous, rather than one-shot, mode
    | PDB_SC_PDBEN_MASK             // PDB enabled
    | PDB_SC_PDBIE_MASK             // PDB Interrupt Enable
    | PDB_SC_PRESCALER(0x5)         // Slow down the period of the PDB for testing
    | PDB_SC_TRGSEL(0xf)           // Trigger source is Software Trigger to be invoked in
this file
    | PDB_SC_MULT(2)                // Multiplication factor 20 for the prescale divider for
the counter clock
    | PDB_SC_LDOK_MASK;             // Need to ok the loading or it will not load certain
registers!
                                           // the software trigger, PDB_SC_SWTRIG_MASK is not
triggered at this time.

```

### 19.2.1.4 Determine ADC configuration

Set up the initial ADC default configuration. This configuration is set into a structure where it can be reused as required prior to and after calibration for either ADC.

```

Master_Adc_Config.CONFIG1 = ADLPC_NORMAL
    | ADC_CFG1_ADIV(ADIV_4)
    | ADLSMP_LONG
    | ADC_CFG1_MODE(MODE_16)
    | ADC_CFG1_ADICLK(ADICLK_BUS);
Master_Adc_Config.CONFIG2 = MUXSEL_ADCA
    | ADACKEN_DISABLED
    | ADHSC_HISPEED
    | ADC_CFG2_ADLSTS(ADLSTS_20) ;
Master_Adc_Config.COMPARE1 = 0x1234u ;           // can be anything
Master_Adc_Config.COMPARE2 = 0x5678u ;           // can be anything
                                           // since not using
                                           // compare feature

Master_Adc_Config.STATUS2 = ADTRG_HW
    | ACFE_DISABLED
    | ACFGT_GREATER
    | ACREN_ENABLED
    | DMAEN_DISABLED
    | ADC_SC2_REFSEL(REFSEL_EXT);

Master_Adc_Config.STATUS3 = CAL_OFF
    | ADCO_SINGLE
    | AVGE_ENABLED
    | ADC_SC3_AVGS(AVGS_32);

Master_Adc_Config.PGA = PGAEN_DISABLED
    | PGACHP_NOCHOP
    | PGALP_NORMAL
    | ADC_PGA_PGAG(PGAG_64);
Master_Adc_Config.STATUS1A = AIEN_OFF | DIFF_SINGLE | ADC_SC1_ADCH(31);
Master_Adc_Config.STATUS1B = AIEN_OFF | DIFF_SINGLE | ADC_SC1_ADCH(31);

```

### 19.2.1.5 Using ADC driver

Configure ADC as it will be used, but because ADC\_SC1\_ADCH is 31, the ADC will be inactive. Channel 31 is just disable function.

There really is no channel 31.

```
ADC_Config_Alt(ADC0_BASE_PTR, &Master_Adc_Config); // config ADC
```

### 19.2.1.6 Calibrate ADCs

Calibrate the ADCs in the configuration in which they will be used and then restore the desired configuration:

```
ADC_Cal(ADC0_BASE_PTR); // do the calibration
```

The structure still has the desired configuration. So restore it. Why restore it? The calibration makes some adjustments to the configuration of the ADC. These are now undone:

```
// config the ADC again to desired conditions
ADC_Config_Alt(ADC0_BASE_PTR, &Master_Adc_Config);
```

Repeat this for both ADC's. However we will only 'use' the results from the ADC1, wired to the Potentiometer on the Kinetis Tower Card.

```
// Repeating for ADC1:
ADC_Config_Alt(ADC1_BASE_PTR, &Master_Adc_Config); // config ADC
ADC_Cal(ADC1_BASE_PTR); // do the calibration
```

Configure the ADC again to default conditions

```
ADC_Config_Alt(ADC1_BASE_PTR, &Master_Adc_Config);
```

### 19.2.1.7 Enable ADC and PDB interrupts

Enable the ADC and PDB interrupts in NVIC.

```
enable_irq(ADC0_irq_no); // ready for this interrupt.
enable_irq(ADC1_irq_no); // ready for this interrupt.
enable_irq(PDB_irq_no); // ready for this interrupt.
```

In case previous demo did not end with interrupts enabled, enable used ones.

```
EnableInterrupts ;
```



### 19.2.1.8 Software triggering of PDB

Software trigger the PDB:

```
PDB_SC |= PDB_SC_SWTRIG_MASK ; // kick off the PDB - just once
```

The system is now working. The PDB is continuously triggering ADC conversions. Now, to display the results. The line above was the SOFTWARE TRIGGER...

### 19.2.1.9 Handle ADC and PDB interrupts

Interrupt servicing is simple; even the digital filter is only two lines of C code. It is placed in both ADC1A and ADC1B portions of the ISR.

```

/*****
* adc1_isr(void)
*
* use to signal ADC1 end of conversion
* In:  n/a
* Out: exponentially filtered potentiometer reading!
* The ADC1 is used to sample the potentiometer on the A side and the B side:
* ping-pong. That reading is filtered for an aggregate of ADC1 readings:
exponentially_filtered_result1
* thus the filtered POT output is available for display.
*****/
void adc1_isr(void)
{
    if (( ADC1_SC1A & ADC_SC1_COCO_MASK ) == ADC_SC1_COCO_MASK) { // check which of the two
        conversions just triggered
        PIN2_HIGH // do this asap
        result1A = ADC1_RA; // this will clear the COCO bit that is also the interrupt
        flag
    }
}

```

This is the exponential filter portion for ADC1A:

```

// Begin exponential filter code for Potentiometer setting for demonstration of filter
effect
exponentially_filtered_result1 += result1A;
exponentially_filtered_result1 /= 2 ;
// Spikes are attenuated 6 dB, 12 dB, 24 dB, .. and so on until they die out.
// End exponential filter code.. add f*sample, divide by (f+1).. f is 1 for this case.

```

These cycle flags are used to keep track of which results are available at the program level.

```

    cycle_flags |= ADC1A_DONE ; // mark this step done
}
else if (( ADC1_SC1B & ADC_SC1_COCO_MASK ) == ADC_SC1_COCO_MASK) {
    PIN2_LOW
    result1B = ADC1_RB;
}

```

This is the exponential filter portion for ADC1B:

```

// Begin exponential filter code for Potentiometer setting for demonstration of filter
effect
exponentially_filtered_result1 += result1B;
exponentially_filtered_result1 /= 2 ;
// Spikes are attenuated 6 dB, 12 dB, 18 dB, .. and so on until they die out.
// End exponential filter code.. add f*sample, divide by (f+1).. f is 1 for this case.

```

```
    cycle_flags |= ADC1B_DONE ;  
  }  
  return;  
}
```

## 19.2.2 ADC device hardware implementation

The ADC input pins are generally configured with a small, inexpensive RC filter. The R value is typically 100 Ohms and the C value is chosen to assure adequate roll-off of frequencies above the Nyquist frequency, which is the sampling frequency divided by two.

The advantage of a high sampling rate, made possible by the Kinetis ADC PDB combination, is that smaller RC values may be used for the anti-aliasing filter.

## 19.2.3 PDB device hardware implementation

The PDB itself can be triggered by hardware. There are two ball locations that are available for serving as external triggers for the PDB. No special considerations for these, but it is advised to use only one (not both) of the two ball locations for the hardware trigger of the PDB.

## 19.3 PCB design recommendations

### 19.3.1 Layout guidelines

#### 19.3.1.1 General routing and placement

Use the following general routing and placement guidelines when laying out a new design. These guidelines will help to minimize signal quality problems. The ADC validation efforts focused on providing very stable voltage reference planes and ground planes.

1. Use high quality RC components for the anti-aliasing filter. Place this RC filter as close to the ADC input pins as possible where it can remove the most noise.
2. Provide very stable analog ground and voltage planes, both for analog power and voltage references if full accuracy of the ADC is required.
3. Provide very stable analog ground and voltage planes, both for analog power and voltage references if full accuracy of the ADC is required.

### 19.3.2 ESD/EMI considerations

The RC filter used for anti-aliasing is all that is required to enhance ESD protection. EMI interference is also dealt with by the same inexpensive filter. Minimizing loop area for any RF ranged signals is also essential.



# Chapter 20

## Using OPAMP for Kinetis Microcontrollers

### 20.1 Overview

This chapter will demonstrate how to configure the operational amplifier (OPAMP) module in various modes that a typical application may require and also showcases a demonstration example.

### 20.2 Introduction

The OPAMP module is integrated on existing Kinetis K50 family devices. Its plus-side input, minus-side input, and output are accessible from external pins and can be used in combination with external circuitry.

Currently, the integrated OPAMP is available in the Kinetis K50 family which consists of K50, K51, K52, and K53 series devices. Other future Kinetis devices may also have built-in OPAMP.

Depending on the package type, some of these devices have two OPAMP modules while others have only one OPAMP. This chapter uses the K53 144 pin package as an example. The K53 144 pin package has OPAMP0 and OPAMP1.

### 20.3 Features

Each OPAMP has the following features:

- Five programmable OPAMP modes
  - General-purpose mode
  - Buffer mode
  - Programmable Gain mode
  - Low-Power mode
  - High-Speed mode

- Programmable input signal routing
- Output readable by ADC without external routing
- Access to plus-side input, minus-side input, and output via external pins

## 20.4 Nomenclature

The OPAMP can be accessed externally with the following pin names:

- OP0\_DP0 = OPAMP module 0 differential positive input 0
- OP0\_DM0 = OPAMP module 0 differential minus (also called negative) input 0
- OP0\_OUT = OPAMP module 0 output
- OP1\_DP0 = OPAMP module 1 differential positive input 0
- OP1\_DM0 = OPAMP module 1 differential minus (also called negative) input 0
- OP1\_OUT = OPAMP module 1 output

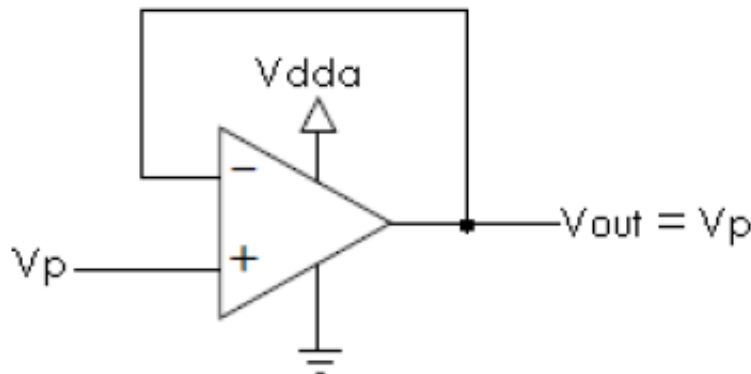
## 20.5 User case examples

For all the modes mentioned below:

- $V_p$  = Positive terminal
- $V_n$  = Negative terminal
- $V_{out}$  = Output terminal

### Buffer mode

OPAMPx\_C0 register field MODE[1:0] = 0b00

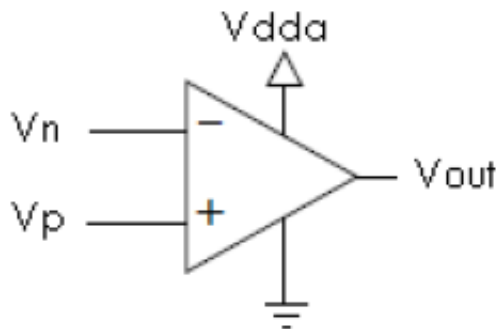


**Figure 20-1. OPAMP in Buffer mode**

In this mode, the OPAMP is used as a voltage follower. The output of the OPAMP is same as the input signal selected for  $V_p$ . The OPAMP is disabled out of MCU reset. After it is enabled, it defaults to Buffer mode where the  $V_n$  is connected to the  $V_{out}$  internally within the MCU.

## General-Purpose mode

OPAMPx\_C0 register field MODE[1:0] = 0b10 ;

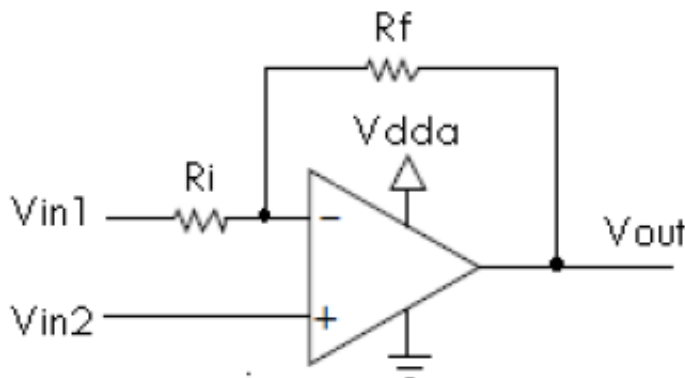


**Figure 20-2. OPAMP in General-Purpose mode**

In this mode, the OPAMP is used as a general-purpose operational amplifier. By default,  $V_n$ ,  $V_p$ , and  $V_{out}$  are routed directly to the MCU external pins.  $V_n$  and  $V_p$  can also be selected to connect to other input signals outlined in the input signals selection table given in the chip configuration chapter of the reference manual.

## OPAMP Programmable Gain mode

OPAMPx\_C0 register field MODE[1:0] = 0bx1;



**Figure 20-3. OPAMP in Programmable Gain mode**

Because the integrated OPAMP is a single-supply OPAMP, one of the input terminals is used as a reference voltage to bias the input signal that feeds to the other terminal.

Normally, this programmable gain feature is used by the user as either a non-inverting or inverting application.

### Non-inverting application with programmable gains

In the non-inverting application, the user connects an input signal (normally a mixed AC and DC signal) to  $V_{in2}$  while a user-defined DC reference voltage is connected to  $V_{in1}$ .

The programmable gain options are: 2, 3, 4, 5, 6, 7, 8, 9, 10, 11, 12,13, 14, 15, 16, 17, 18

$$V_{out} = (V_{in2} - V_{in1}) * Gain + V_{in1}$$

### Inverting application with programmable gain

In the inverting application, the user connects an input signal (normally a mixed AC and DC signal) to Vin1 while a user-defined DC reference voltage is connected to Vin2.

The programmable gain options are: -1,-2,-3,-4,-5,-6,-7  
-8,-9,-10,-11,-12,-13,-14,-15,-16,-17

$$V_{out} = (V_{in1} - V_{in2}) * Gain + V_{in2}$$

#### NOTE

Rf and Ri shown in [Figure 20-3](#) are on-chip internal resistive network and the values are encapsulated. The user shall not use external resistors in an attempt to yield other gain voltage. If the user desires other gain option, the OPAMP should then be configured as General-Purpose mode, and use external gain resistive network for the desired gains configuration instead.

## 20.5.1 On-chip integration

Programmable input selections for OPAMP0 and for OPAMP1:

By default, the inputs of OPAMP0 and OPAMP1 are routed to the external pin signal.

Additionally, users can also select input signals from other on-chip modules. [Figure 20-4](#) shows all the input signals that are available for the OPAMP0 and OPAMP1 at the positive and negative input terminals. For example, the on-chip 12-bit DAC can be selected as an input to the OPAMP internally. This eliminates the need of external circuit routing.



Positive input signal select	Signal connection		
	OPAMP0	OPAMP1	
0	OP0_DP0 input signal	OP1_DP0/OP1_DM1 input signal	External pin signal
1	OPAMP 0 output	OPAMP 0 output	
2	OPAMP 1 output	OPAMP 1 output	On-chip internal signals
3	CMP0 6-bit DAC output	CMP0 6-bit DAC output	
4	12-bit DAC0 output	12-bit DAC0 output	
5	12-bit DAC1 output	12-bit DAC1 output	
6	VDD	VDD	
7	VSS	VSS	

Negative input signal select	Signal connection		
	OPAMP0	OPAMP1	
0	OP0_DM0 input signal	OP1_DM0 input signal	External pin signal
1	Reserved (tied to VSS)	OPAMP 0 output	
2	OPAMP 1 output	OP1_DP0/OP1_DM1 input signal	On-chip internal signals
3	CMP0 6-bit DAC output	CMP0 6-bit DAC output	
4	12-bit DAC0 output	12-bit DAC0 output	
5	12-bit DAC1 output	TRIAMP0 output	
6	VDD	VDD	
7	VSS	VSS	

**Figure 20-4. OPAMP0 and OPAMP1 positive input signal and negative input signal selection**

**Output connections:**

In addition to outputting to an external pin, the output of the OPAMPs are also available to other modules on the MCU internally without the need of external routing. Take [Figure 20-5](#), for example, the outputs of OPAMPs are also routed internally to a ADC0 channel and an input of an analog comparator (CMP).

OPAMP number	OPAMP output signal connection	
0	CMP1 input	} Output to internal module
0	ADC0 channel	
0	OP0_OUT output signal	} Output to external pin
1	CMP2 input	} Output to internal module
1	ADC0 channel	
1	OP1_OUT output signal	} Output to external pin

**Figure 20-5. OPAMP0 and OPAMP1 output connections**

## 20.5.2 Device hardware implementation

The following actions are recommended for device hardware implementation:

- Use external low, high, or band pass filter circuit to help reduce uninterested noise.
- Use 1% tolerant external resistors and capacitors, instead of the standard 5% ones.
- When OPAMP is not used, disable it to conserve current draw from Vdda.

### Layout guidelines

Use the following general routing and placement guidelines when laying out a new design. These guidelines will help to minimize signal quality and electromagnetic interference (EMI) problems.

To minimize parasitic elements, surface mount components must be used wherever possible.

- All components should be placed as close to the IC as possible.
- The components should be placed closest to the IC in the following order:
  - If it is required, the feedback resistor (Rf) should be placed first.
  - If it is required, the series resistor (Rs) should be placed next.
  - If external load capacitors are required, they should be placed third.
  - Input sources such as sensor should be placed last.
- If external load capacitors are required, they should use a common ground connection shared in the center.
- If input source has a ground connection, it should be connected to the common ground of the load capacitors.
- Where possible:
  - Keep high-speed I/O signals as far from the OPAMP signals as possible.
  - Select the functions of pins close to the OPAMP terminals to have minimal switching to reduce injected noise.

### 20.5.3 OPAMP demo with DAC

This lab demonstrates how to use the selectable OPAMP internal gain and adjust voltage offset for proper amplified output signal. The input signal is generated from the integrated on-chip 12-bit DAC module.

1. This project is named as analog\_labs.eww.
2. In analog\_lab.c, comment the code as following:

```
//vfnLab1();
//vfnLab2();
vfnLab3();
```

3. In lab3.c, find the comment and uncomment the following code as below.

```
vfnOPAMPConfig(LAB3a); //Non inverting OPAMP0 positive selects DAC0, negative selects DAC1
// vfnOPAMPConfig(LAB3b); //Inverting OPAMP0 positive selects DAC1, negative selects DAC0
// vfnOPAMPConfig(LAB3c); //Non inverting OPAMP0 positive selects DAC0, negative selects DAC1
```

4. In the common.h file, uncomment the following code as below.

```
#define LAB3
```

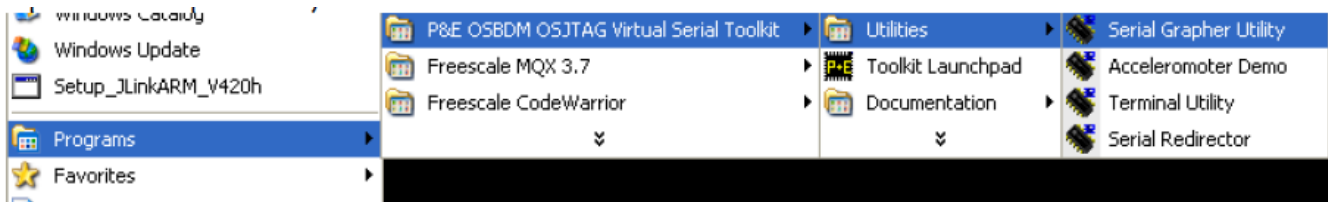
5. Compile the project as shown below.



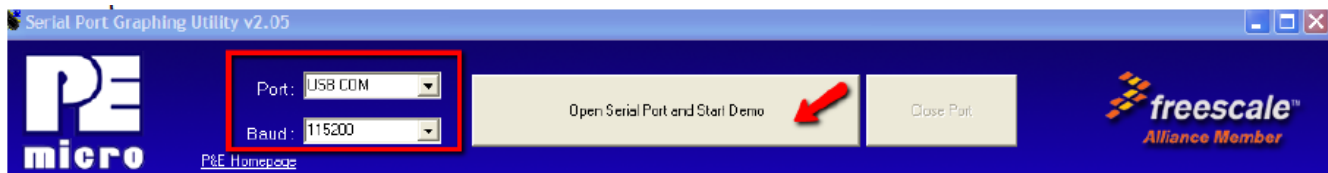
6. Flash the code by clicking the green play button as shown below.



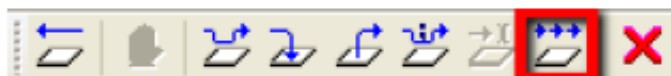
7. Open Serial Grapher Utility as shown below.



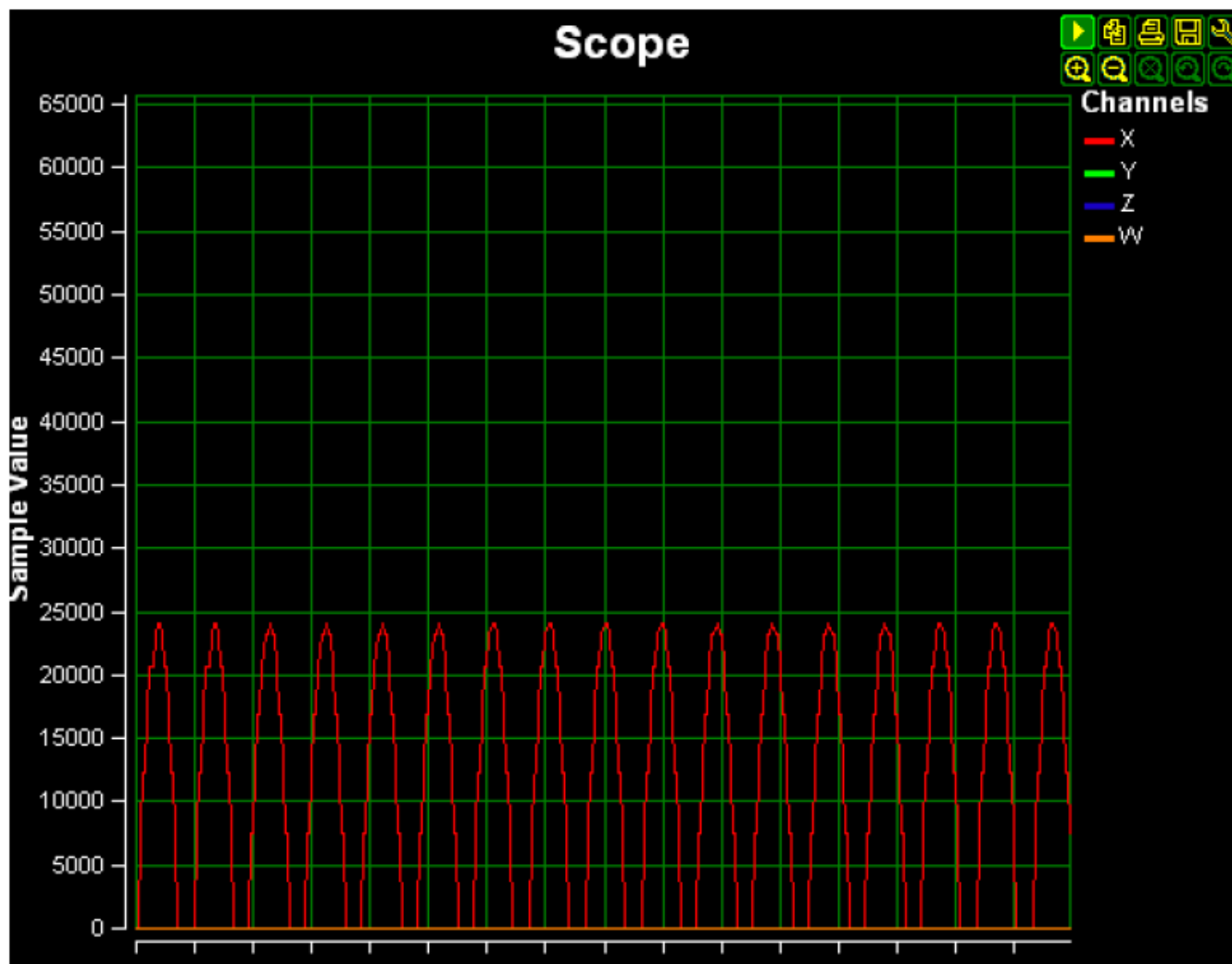
8. On the P&E Serial Grapher, configure serial communication port as USBCOM with the baud rate of 115,200.
9. Click Open Serial Port Start Demo.



10. From the IAR debug menu as shown below, press the Go button to run the code.

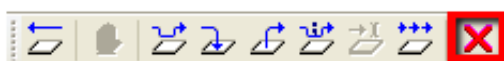


11. At this moment, the user must be able to see a sine wave as below. If not, rotate the potentiometer counterclockwise until such waveform is observed.



12. From the TWR-K53N512 board, press the IRQ0 button to increase the gain. Press the SW2 button to decrease the gain. The amplitude of the sine wave will be adjusted accordingly.

13. Stop the debugger session.



14. In lab3.c, find the comment and uncomment the following code as below.

```
// vfnOPAMPConfig(LAB3a); //Non inverting OPAMP0 positive selects DAC0, negative
selects DAC1
// vfnOPAMPConfig(LAB3b); //Inverting OPAMP0 positive selects DAC1, negative selects
```

```
DAC0  
vfnOPAMPConfig(LAB3c); //Non inverting OPAMP0 positive selects DAC0, negative selects  
DAC1
```

15. Compile, download and run the project.
16. Rotate the potentiometer in either direction to see the sine wave DC level being adjusted. This is an example of offset voltage adjustment using OPAMP.
17. Now keep on increasing the gain of the OPAMP (see step 12 ), and the output of the OPAMP will eventually be saturated. The user can move the potentiometer to bring down the DC level to see the peak again.



# Appendix A

## How to Load QRUG Examples

### A.1 Overview

This chapter describes how to load and run the sample code described in other sections of the Kinetis Quick Reference User Guide. It walks through the procedures used to make sure your Tower system is connected properly, and explains how to load the example projects.

### A.2 Software configuration

First install the latest P&E Micro Kinetis Tower Toolkit as described in the Quick Start Guide. It can be found online or on the DVD that came with your Tower board. This will install the necessary drivers for downloading software to the Kinetis tower board via OSJTAG, the virtual serial port drivers, and the P&E terminal program.

You will also need to install IAR for ARM 6.10 or later. It supports OSJTAG, which is firmware located on your Kinetis tower board that enables you to flash and debug code with only a mini-B USB cable.

### A.3 Hardware configuration

You will need to put together your tower kit for examples using Ethernet, FlexCAN, or USB. The other examples can be ran with the Kinetis microcontroller module in stand-alone mode.

To put together the tower system, plug-in the primary side of each tower board (most modules will mark this side with a white stripe) into the primary elevator, which has the white connectors. Then attach the other elevator board onto the other side of the modules. The TWR-ELEV box will also have instructions for putting together the tower.

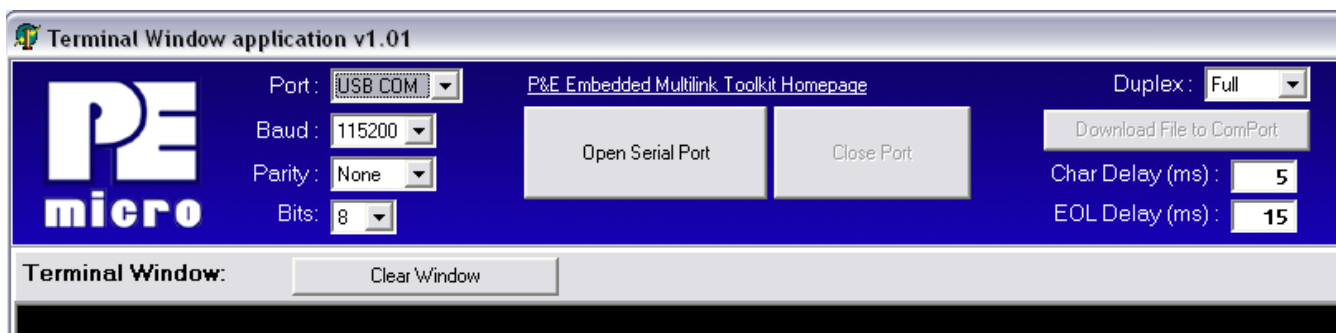
Finally connect a USB cable to the mini-USB port on the Kinetis tower module. This will be J16 on TWR-K40X256 and J13 on TWR-K60N512. When you plug-in the USB cable to your board, you should see some LED's on all the tower boards turn on. This will let you know your tower was put together correctly.

## A.4 Terminal configuration

The OSJTAG feature on the Kinetis Tower Board will create a virtual serial port that communicates to your computer over the USB cable connected in the previous section. This virtual serial port is connected to UART0 on the TWR-K40X256 and UART5 on TWR-K60N512.

Next, open the Terminal Utility from the Start Menu by going to P&E Multilink Embedded Toolkit->Utilities->Terminal Utility

Configure the terminal client to use USB COM, 115200 baud, 8 data bits, 1 stop bit, and no parity. Then click Open Serial Port to start the connection.



## A.5 Download sample code

1. Download the latest sample code repository for your Tower module from <http://freescale.com/twr-k40x256> and <http://freescale.com/twr-k60n512>.
2. Unzip the KINETIS512\_SC.zip file into any directory.
3. Go to `\kinetis-sc\build\iar\` to see all the different projects available.
4. The next section describes running the basic Hello World example, but the same instructions can be used with other projects as well.

## A.6 Running the "Hello World" demo

1. Open IAR and go to File -> Open -> Workspace in the menu bar.
2. Open the `hello_world.eww` workspace at `\kinetis-sc\build\iar\hello_world\`.



3. The workspace that opens up contains a “Hello World” project for both TWR-K40X256 and TWR-K60N512.
4. There are many different RAM and flash combinations available in the Kinetis family which this project supports. However, for the processor on your tower board you should choose one of the targets below to maximize the memory space that the linker makes available for your chip.

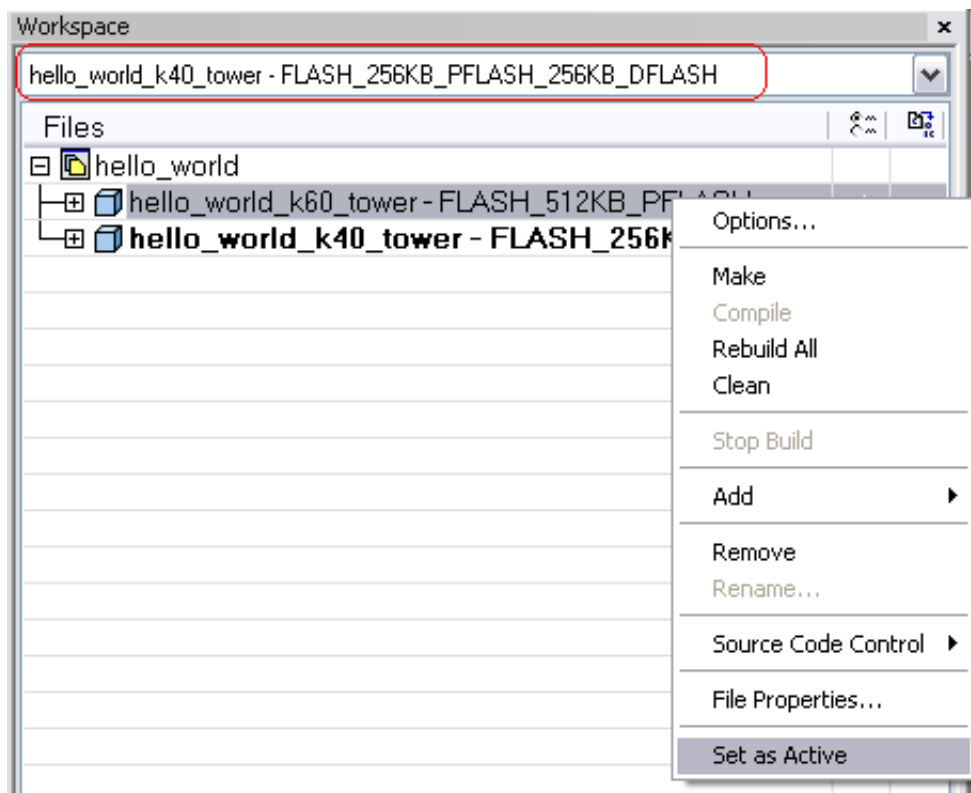
**TWR-K40X256:**

- RAM\_64KB
- FLASH\_256KB\_PFLASH\_256KB\_DFLASH

**TWR-K60N512:**

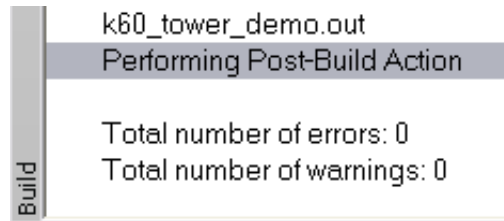
- RAM\_128KB
- FLASH\_512KB\_PFLASH

5. Select the project and configuration you would like to run by choosing the project from the drop-down box that is circled in red. You may also right-click on a project and select “Set as Active.” To start, select the flash target appropriate for your board as listed in the previous step.

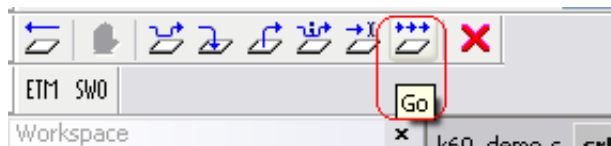


6. The selected project will appear in bold font.
7. To ensure a fresh start, clean the project first by right-clicking on the project name and selecting “Clean.”
8. Compile the project by clicking the Make icon (or right-click on the project and select “Make”).

- In the build dialog box at the bottom, you will see any errors or warnings. If the compilation was successful, you will see something like the image below, if there are no errors (there may be some warnings depending on the code):



- Now download the code to the board and start the debugger by pressing the “Download and Debug” button.
- The code will download (into RAM or flash, depending on the project settings) and the debugger screen will appear and pause at the first instruction. Hit the “Go” button to start running.



- After you have selected “Go,” the software will print out some basic chip information, and then write “Hello World” to the terminal. After that it will echo anything typed into the terminal screen.
- Hit the Break button to pause the debugger. You can then step line by line via the Step Over button, and dive into function calls with the Step Into button.
- Hit the Stop button to end the debugging session.

**How to Reach Us:**

**Home Page:**  
[freescale.com](http://freescale.com)

**Web Support:**  
[freescale.com/support](http://freescale.com/support)

Information in this document is provided solely to enable system and software implementers to use Freescale products. There are no express or implied copyright licenses granted hereunder to design or fabricate any integrated circuits based on the information in this document. Freescale reserves the right to make changes without further notice to any products herein.

Freescale makes no warranty, representation, or guarantee regarding the suitability of its products for any particular purpose, nor does Freescale assume any liability arising out of the application or use of any product or circuit, and specifically disclaims any and all liability, including without limitation consequential or incidental damages. "Typical" parameters that may be provided in Freescale data sheets and/or specifications can and do vary in different applications, and actual performance may vary over time. All operating parameters, including "typicals," must be validated for each customer application by customer's technical experts. Freescale does not convey any license under its patent rights nor the rights of others. Freescale sells products pursuant to standard terms and conditions of sale, which can be found at the following address: [freescale.com/SalesTermsandConditions](http://freescale.com/SalesTermsandConditions).

Freescale, the Freescale logo, and Kinetis are trademarks of Freescale Semiconductor, Inc., Reg. U.S. Pat. & Tm. Off. ARM and Cortex are registered trademarks of ARM Limited (or its subsidiaries) in the EU and/or elsewhere. All rights reserved. All other product or service names are the property of their respective owners.

© 2010–2014 Freescale Semiconductor, Inc.