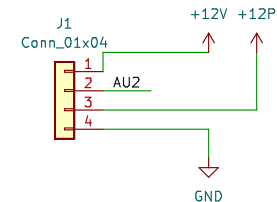
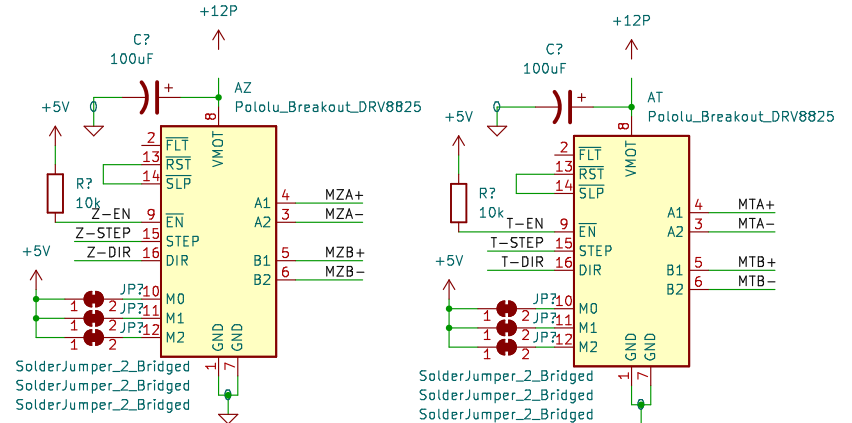
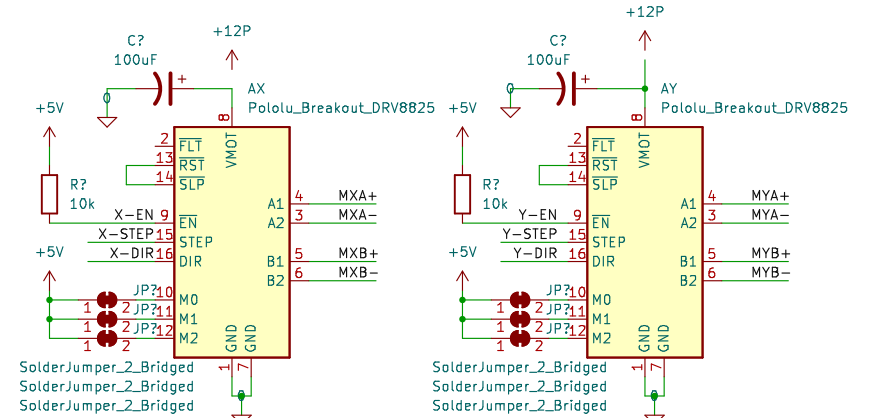
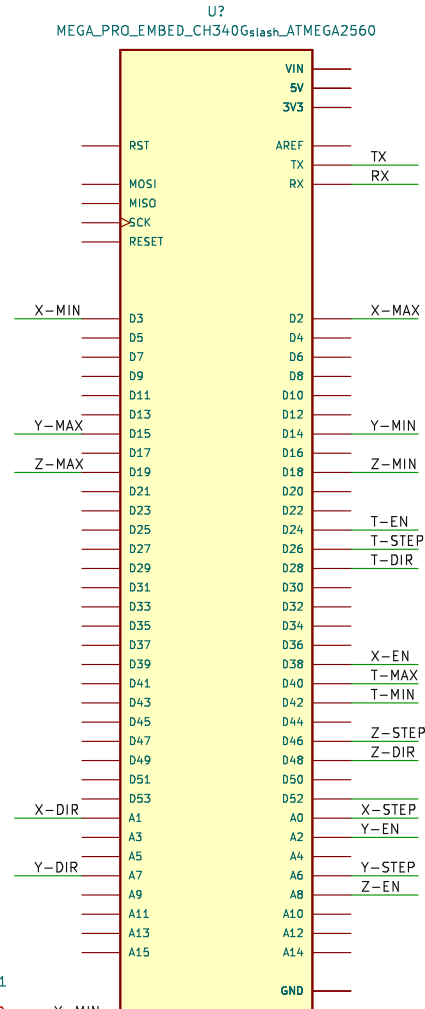
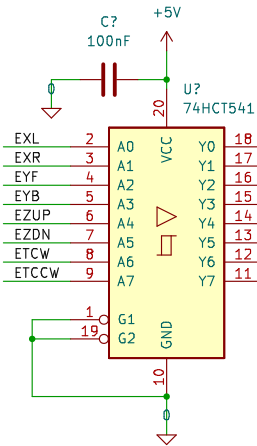
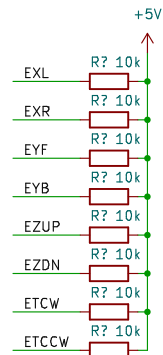
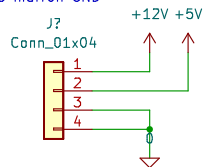


- 1 orange/blanc +5V_TFT
- 2 orange 5V
- 3 vert/blanc AU1
- 4 bleu AU2
- 5 bleu/blanc GND TFT
- 6 vert TX KSAP6
- 7 marron/blanc RX KSAP6
- 8 marron GND



LAAS-CNRS F.BLANC	
Sheet: /	
File: ksap6.kicad_sch	
Title: KSAP6	
Size: A4	Date: 2023-06-26
KiCad E.D.A. eeschema 7.0.7-7.0.7-ubuntu20.04.1	Rev: rev1.0
	Id: 1/1